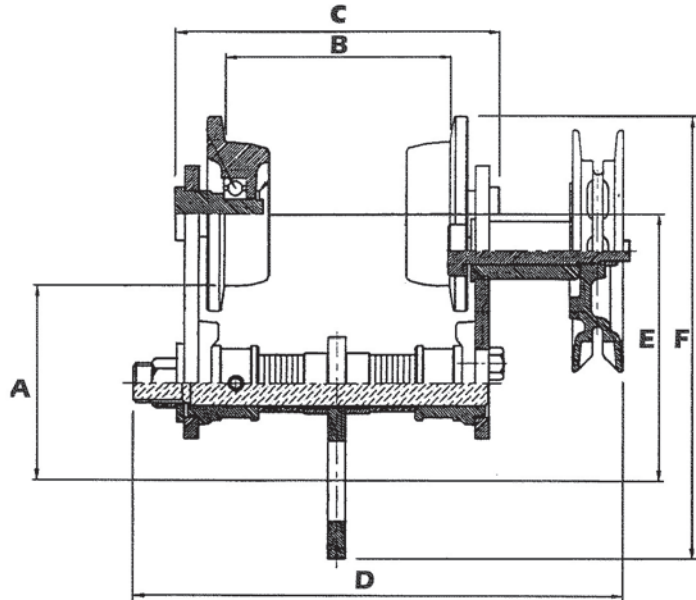




- Push or geared travel
- Capacity 500 to 5,000 kg
- Easy and safe operation
- Ball bearing wheels ease load movement
- Easy adjustment of the beam width by setting the main crosshead bolt
- Anti drop stops
- Inspected and certified



Product code	Capacity (t)	Beam width range (mm)	A	B	C	D	E	F	Weight (kg)	Price (£)
R0.5TPTT	0.5	61-136	103	126	180	-	136	220	6	£46.54
R1TPTT	1	61-136	106	125	180	200	146	242	11	£60.61
R2TPTT	2	74-155	125	150	210	230	175	300	19	£94.16
R3TPTT	3	79-155	156	150	230	244	212	352	28	£142.85
R5TPTT	5	92-178	172	175	260	274	235	395	43	£206.70