

liftturnmove



**Hand Operated  
Lifting Equipment**  
'The Original Silverline Hoists'



# RexLine Hand Chain Blocks



Economical, heavy duty, high quality hoists used by many industrial and rental clients

Capacity 500 to 5,000 kg

### Features

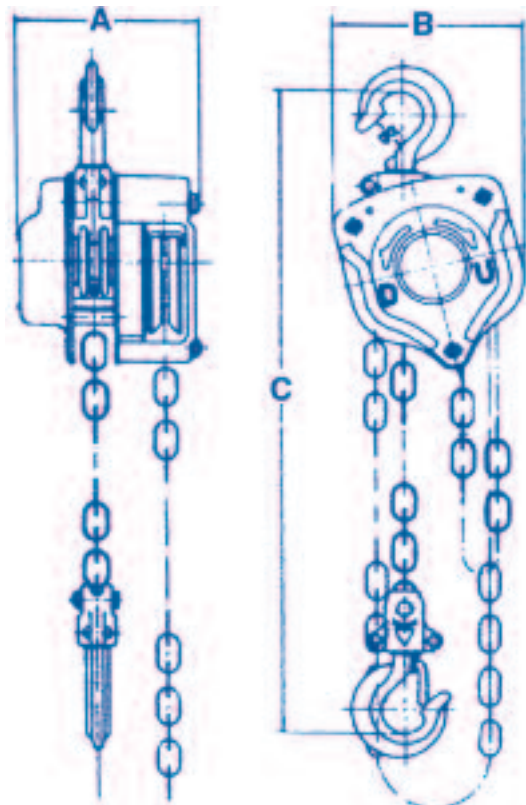
- Enclosed handy design – easy and safe operation
- Swivelling load suspension hooks with safety catch
- Lightweight with short headroom
- Grade 80 load chain and hand chain both plated as standard
- 3m standard lift height- other lifts available on request
- Full spares availability
- Chain bags available on request
- Tested and certified

### Specification

Lifting capacity	(t)	0.5	1.0	2.0	3.0	5.0
Standard lift height	(m)	3	3	3	3	3
Number of chain falls		1	1	2	2	2
Required effort under load	(kg)	24	30	34	39	43
Weight 3m lift	(kg)	11	13	21.5	31	41
Weight per extra metre lift	(kg)	2	2	2.2	3.2	4.5

### Dimensions

a (mm)	147	147	147	179	179
b (mm)	154	154	190	206	263
c (mm)	315	315	380	475	635





# RexLine Ratchet Lever Hoists



Economical, heavy duty, high quality hoists used by many industrial and rental clients

Capacity 750 to 6000 kg

- Light weight and low overall height
- For lifting, pulling and lashing loads
- Lifting and lowering by forward and reverse motion of the lever
- Chain free reeling by turning the hand wheel or by pulling the non- loaded chain

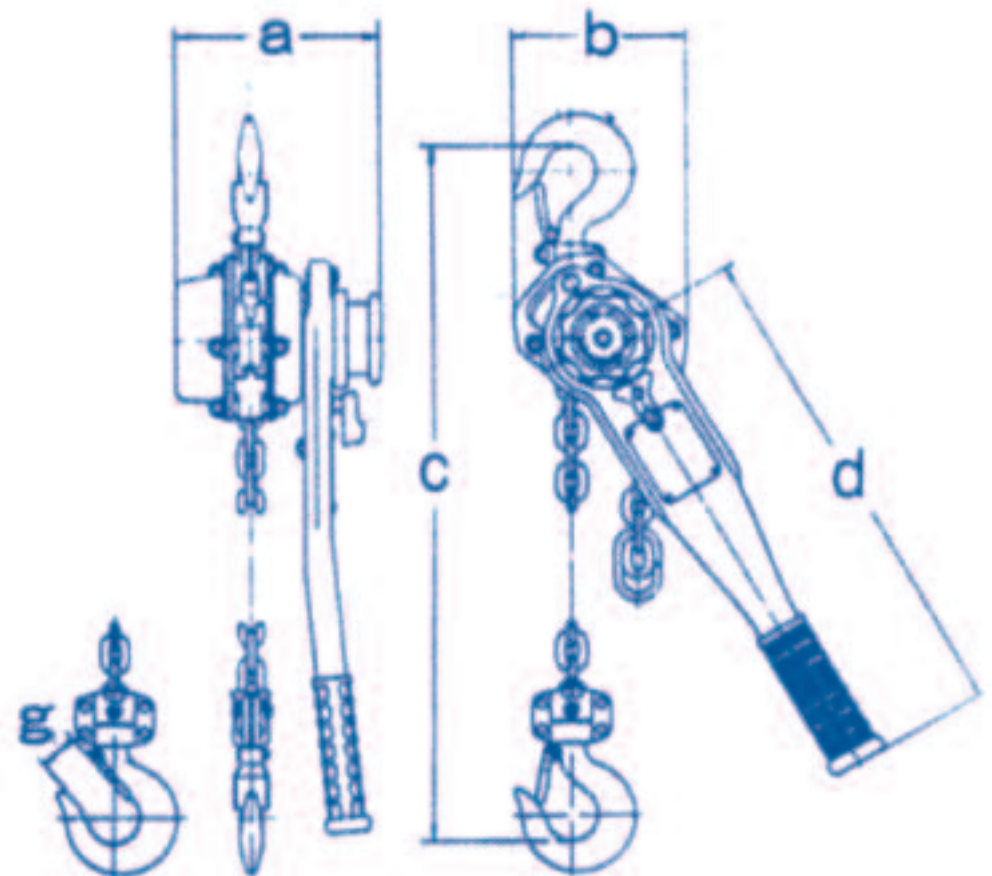
- Load pressure brake holds the load in every position
- Upper and lower swivel safety load hooks.
- Grade 80 plated load chain
- Full spares availability
- Tested and certified
- 1.5m standard lift height, other lift heights available on request

## Specification

<b>Lifting capacity</b>	<b>(t)</b>	<b>0.75</b>	<b>1.5</b>	<b>3.0</b>	<b>6.0</b>
<b>Standard lift height</b>	<b>(m)</b>	1.5	1.5	1.5	1.5
<b>Number of chain falls</b>		1	1	1	2
<b>Required effort under load</b>	<b>(kg)</b>	16	18	33	35
<b>Weight 1.5m lift</b>	<b>(kg)</b>	8	11	17	26
<b>Weight per extra metre lift</b>	<b>(kg)</b>	1	1.1	2	4

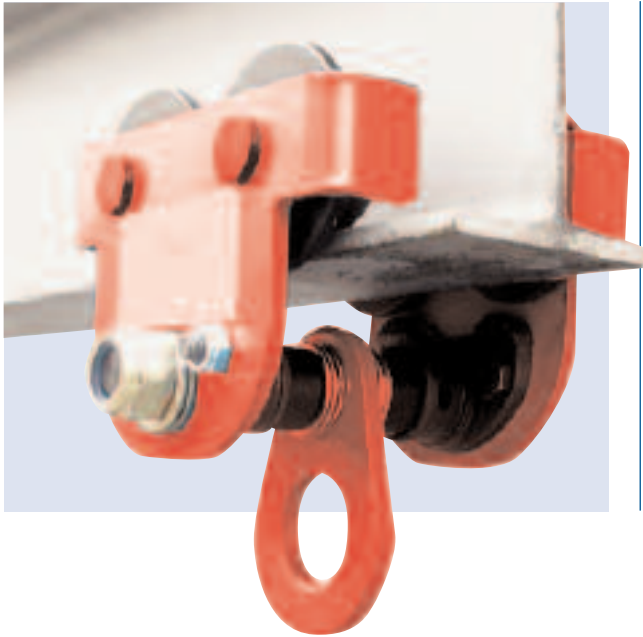
## Dimensions

<b>a (mm)</b>	157	175	198	198
<b>b (mm)</b>	152	145	190	235
<b>c (mm)</b>	330	370	395	590
<b>d (mm)</b>	280	390	390	390
<b>g (mm)</b>	27	32	38	46

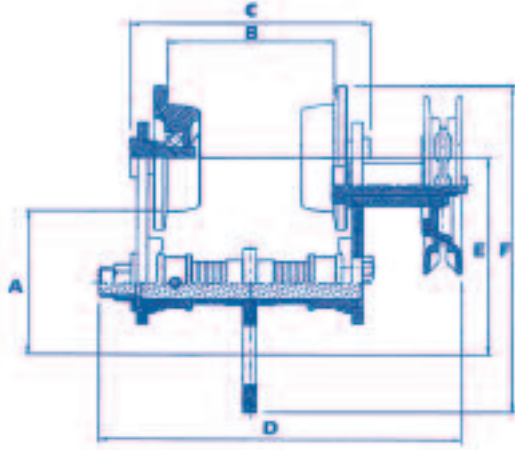




# RexLine Girder Trolleys



- Capacity 500 to 5,000 kg
- Easy and safe operation
- Ball bearing wheels ease load movement
- Easy adjustment of the beam width by setting the main crosshead bolt
- Anti drop stops



## Specification

## Dimensions (mm)

Capacity (t)	Beam width range (mm)	Weight (kg)	A	B	C	D	E	F
0.5	61-136	6	103	126	180	-	136	220
1	61-136	11	106	125	180	200	146	242
2	74-155	19	125	150	210	230	175	300
3	79-155	28	156	150	230	244	212	352
5	92-178	43	172	175	260	274	235	395

# liftturnmove

LTM-LIFT TURN MOVE LTD

UNIT 6, APPIN ROAD  
ARGYLE INDUSTRIAL  
ESTATE  
BIRKENHEAD  
MERSEYSIDE  
CH41 9HH  
UK

TEL: +44 (0)151-649-0467  
FAX: +44 (0)151-649-0099  
WWW.LIFTTURNMOVE.CO.UK  
SALES@LIFTTURNMOVE.CO.UK

LTM 'THE LIFTING PEOPLE'

