

PLANETA PUSH TRAVEL UNIVERSAL BEAM TROLLEY

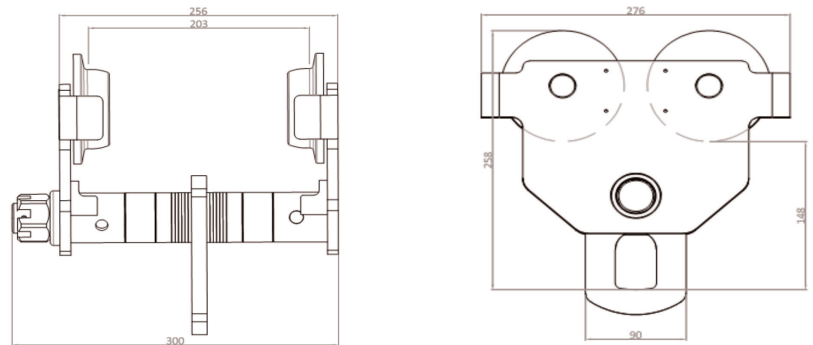


The PTM Push Travel Universal Beam Trolley is suited for the movement of chain hoist and other items of lifting equipment, when the requirement is for these items to be moved to a variety of locations, enabling venues and performance spaces to be multifunctional, as it often required with the technical requirements of performances in the modern age. The trolley comes in a variety of capacities, from 0.5T to 10T, and is capable of being adjusted to fit beam sizes from 50mm to 203mm (minimum depth changes depending on capacity).



FEATURES

- » Central Load Suspension System to keep the weight central and evenly distribute the Load between the four wheels
- » Contour Trolley Wheel design, providing capability to work on flat and tapered Universal Beams and Columns, with
 - » maximum contact onto surface
- » Robust Cast Iron Wheels, with lubricated sealed ball bearings for quite and safe operation
- » Large Forged Steel Side plates, fabricated to enhance tilting protection
- » Trolley Design Ensures the system will fit onto a variety of beams, by changins the spacers on the central spindle to
 - » increase and decrease the width



Typical Drawing (Full PDF General Arrangement Drawing Available on request)

SPECIFICATIONS

PRODUCT CODE	SELF WEIGHT (KG)	MINIMUM BEAM RADIUS CURVE (M)	BEAM FLANGE WIDTH RANGE (MM)	EXTERNAL DIMENSIONS	MINIMUM BOW SHACKLE SIZE FIT	MINIMUM CHAIN HOIST HOOK SIZE FIT	SAFE WORKING LOAD (AT FOS 4:1)	SAFE WORKING LOAD (AT FOS 8:1)	COLOUR FINISH
PL/PTM/0.5T	7	0.8	50-203	280mm x 198mm x 193mm	2.0t Shackle	LPM250	0.5t	0.25t	RAL 5005 Side Plates & Hook Plates Spindle Zinc Plated
PL/PTM/1.0T	10.5	0.9	64-203	288mm x 236mm x 237mm	2.0t Shackle	LPM250	1.0t	0.5t	RAL 5005 Side Plates & Hook Plates Spindle Zinc Plated
PL/PTM/2.0T	17.5	1	88-203	300mm x 276mm x 283mm	2.0t Shackle	LP500	2.0t	1.0t	RAL 5005 Side Plates & Hook Plates Spindle Zinc Plated
PL/PTM/3.0T	27	1.2	100-203	321mm x 326mm x 329mm	3.25t Shackle	LP500	3.0t	1.5t	RAL 5005 Side Plates & Hook Plates Spindle Zinc Plated
PL/PTM/5.0T	41	1.3	114-203	328mm x 380mm x 385mm	6.5t Shackle	LG20	5.0t	2.5t	RAL 5005 Side Plates & Hook Plates Spindle Zinc Plated
PL/PTM/10.0T	48	1.7	124-203	455mm x 568mm x 533mm	12.0t Shackle	None	10.0t	5.0t	RAL 5005 Side Plates & Hook Plates Spindle Zinc Plated

ORDERING INFORMATION

To Order any of the Above, check the product code you require based on the required specification and contact us using one of the details below

COMPANY CONTACT DETAILS

LTM - Lift Turn Move Ltd
 Unit 2 Stadium Court
 Wirral International Business Park
 Plantation Road, Bromborough
 Wirral, UK CH62 3QG

SALES AND GENERAL CONTACTS

Tel: +44 (0)151 649 0467
 Fax: +44 (0)151 649 0099
 Email: sales@LiftTurnMove.co.uk
 Email: accounts@LiftTurnMove.co.uk
 Website: www.liftturnmove.co.uk

OPENING HOURS

Mon-Thur: 8:30 - 5:00
 Friday: 8:30 - 2:30

The office is often open outside these times.

DELIVERIES

We use various methods of delivery and can deliver more or less whenever you need.

To stay up to date with the latest events at LTM please follow us on Facebook, Twitter and LinkedIn



liftturnmove



@LiftTurnMove



@Lift Turn Move Ltd