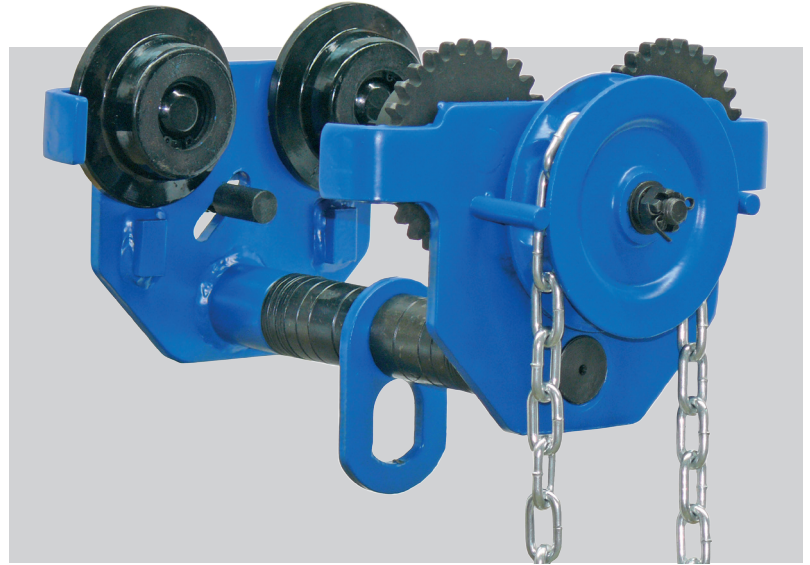


PLANETA GEARED TRAVEL UNIVERSAL BEAM TROLLEY



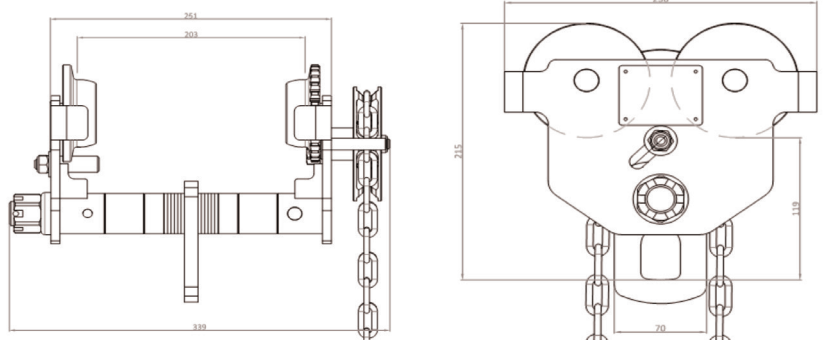
The GTM Geared Travel Universal Beam Trolley is suited for the movement of chain hoist and other items of lifting equipment, when the requirement is for these items to be moved to a variety of locations, enabling venues and performance spaces to be multifunctional, as it often required with the technical requirements of performances in the modern age. The GTM version of the trolley includes a operational chain, to assist with the movement of the trolley along the beam. The trolley comes in a variety of capacities, from 0.5T to 10T, and is capable of being adjusted to fit beam sizes from 50mm to 203mm (minimum depth changes depending on capacity)



FEATURES

- » Central Load Suspension System to keep the weight central and evenly distribute the Load between the four wheels
- » Contour Trolley Wheel design, providing capability to work on flat and tapered Universal Beams and Columns, with maximum contact onto surface
- » Robust Cast Iron Wheels, with lubricated sealed ball bearings for quite and safe operation
- » Large Forged Steel Side plates, fabricated to enhance tilting protection
- » Trolley Design Ensures the system will fit onto a variety of beams, by changing the spacers on the central spindle to increase and decrease the width

Custom Operable Chain Lengths available on request



Typical Drawing (Full PDF General Arrangement Drawing Available on request)

SPECIFICATIONS

PRODUCT CODE	SELF WEIGHT (KG)	MINIMUM BEAM RADIUS CURVE (M)	BEAM FLANGE WIDTH RANGE (MM)	STANDARD OPERATING CHAIN LENGTH (M)	EXTERNAL DIMENSIONS	MINIMUM BOW SHACKLE SIZE FIT	MINIMUM CHAIN HOIST HOOK SIZE FIT	SAFE WORKING LOAD (AT FOS 4:1)	SAFE WORKING LOAD (AT FOS 8:1)	COLOUR FINISH
PL/GTM/0.5T	14.5	0.8	50-203	2.5	280mm x 198mm x 193mm	2.0t Shackle	LPM250	0.5t	0.25t	RAL 5005 Side Plates & Hook Plates Spindle Zinc Plated
PL/GTM/1.0T	14.5	0.9	64-203	2.5	339mm x 236mm x 235mm	2.0t Shackle	LPM250	1.0t	0.5t	RAL 5005 Side Plates & Hook Plates Spindle Zinc Plated
PL/GTM/2.0T	21.5	1	88-203	2.5	350mm x 276mm x 283mm	2.0t Shackle	LP500	2.0t	1.0t	RAL 5005 Side Plates & Hook Plates Spindle Zinc Plated
PL/GTM/3.0T	31	1.2	100-203	2.5	370mm x 326mm x 329mm	3.25t Shackle	LP500	3.0t	1.5t	RAL 5005 Side Plates & Hook Plates Spindle Zinc Plated
PL/GTM/5.0T	46	1.3	114-203	2.5	377mm x 380mm x 385mm	6.5t Shackle	LG20	5.0t	2.5t	RAL 5005 Side Plates & Hook Plates Spindle Zinc Plated

ORDERING INFORMATION

To Order any of the Above, check the product code you require based on the required specification and contact us using one of the details below

COMPANY CONTACT DETAILS

LTM - Lift Turn Move Ltd
Unit 2 Stadium Court
Wirral International Business Park
Plantation Road, Bromborough
Wirral, UK CH62 3QG

SALES AND GENERAL CONTACTS

Tel: +44 (0)151 649 0467
Fax: +44 (0)151 649 0099
Email: sales@LiftTurnMove.co.uk
Email: accounts@LiftTurnMove.co.uk
Website: www.liftturnmove.co.uk

OPENING HOURS

Mon-Thur: 8:30 - 5:00
Friday: 8:30 - 2:30

The office is often open outside these times.

DELIVERIES

We use various methods of delivery and can deliver more or less whenever you need.

To stay up to date with the latest events at LTM please follow us on Facebook, Twitter and LinkedIn



liftturnmove



@LiftTurnMove



@Lift Turn Move Ltd