



swiss lifting solutions

ERSATZTEILE | STROMLAUFPLÄNE GPK 500

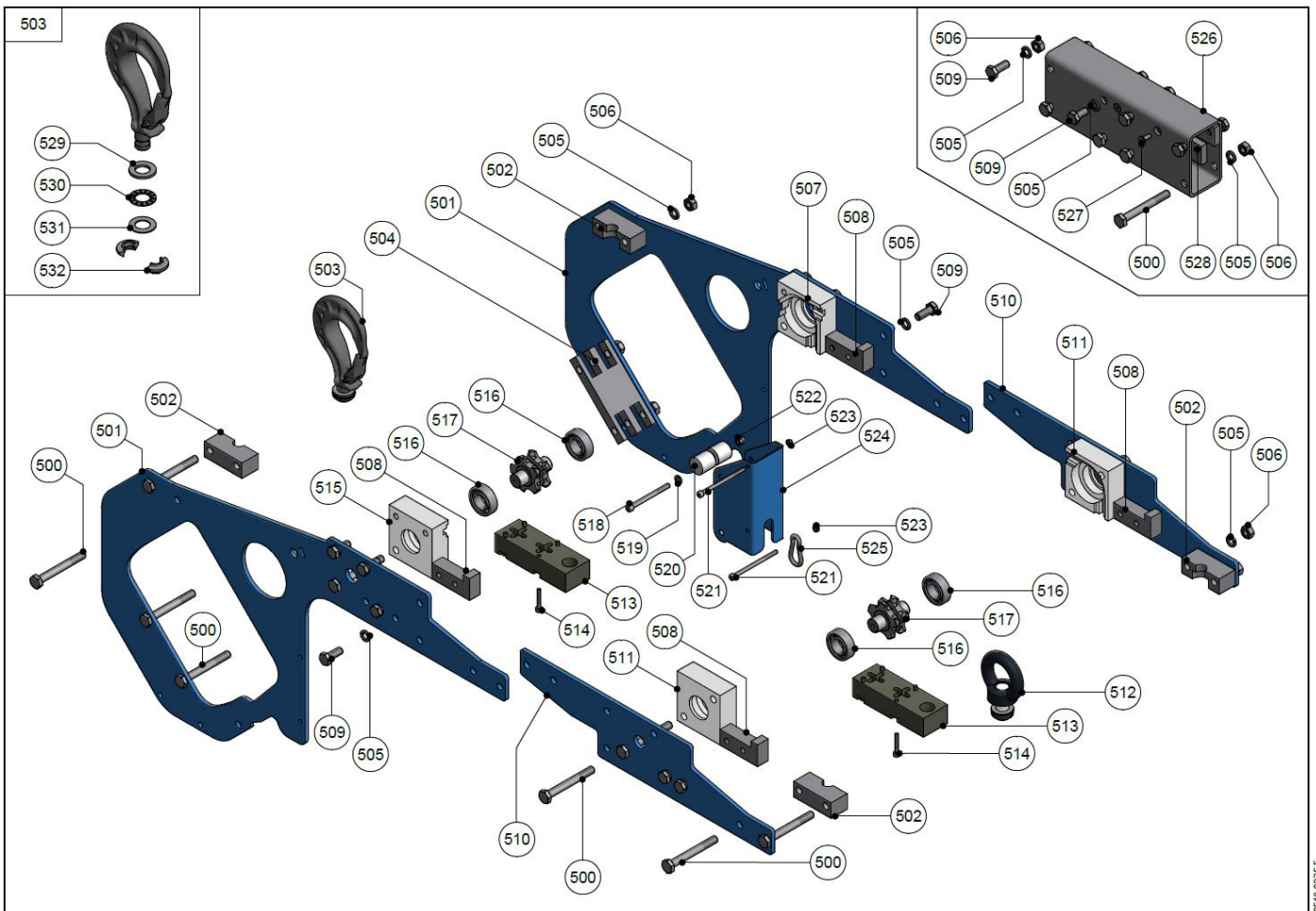
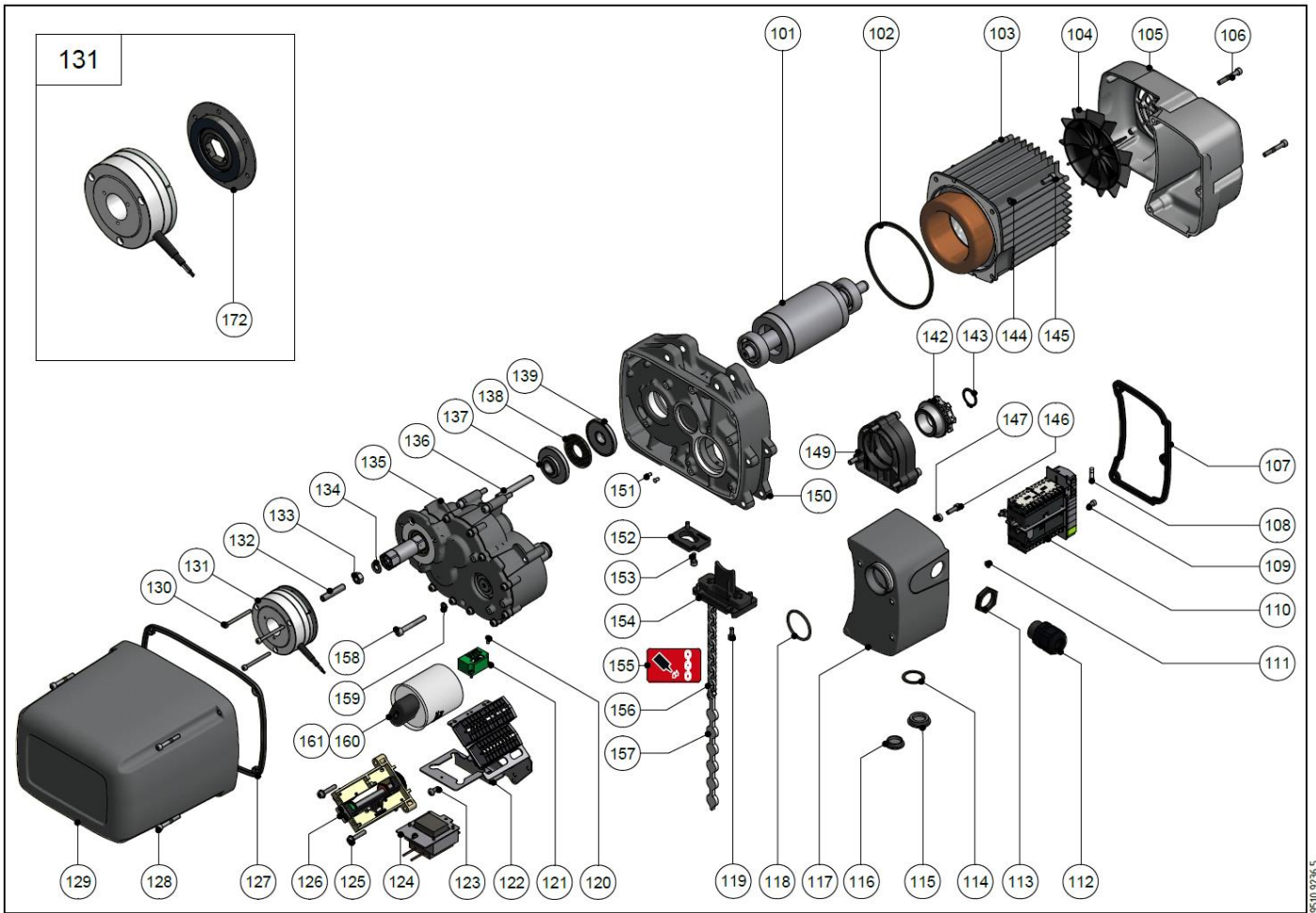
Spare parts | Pièces de rechange | Onderdelen | Reservedele | Varaosat |
Pezzi di ricambio | Reservedelen | Peças | Reservdelar | Piezas de recambio

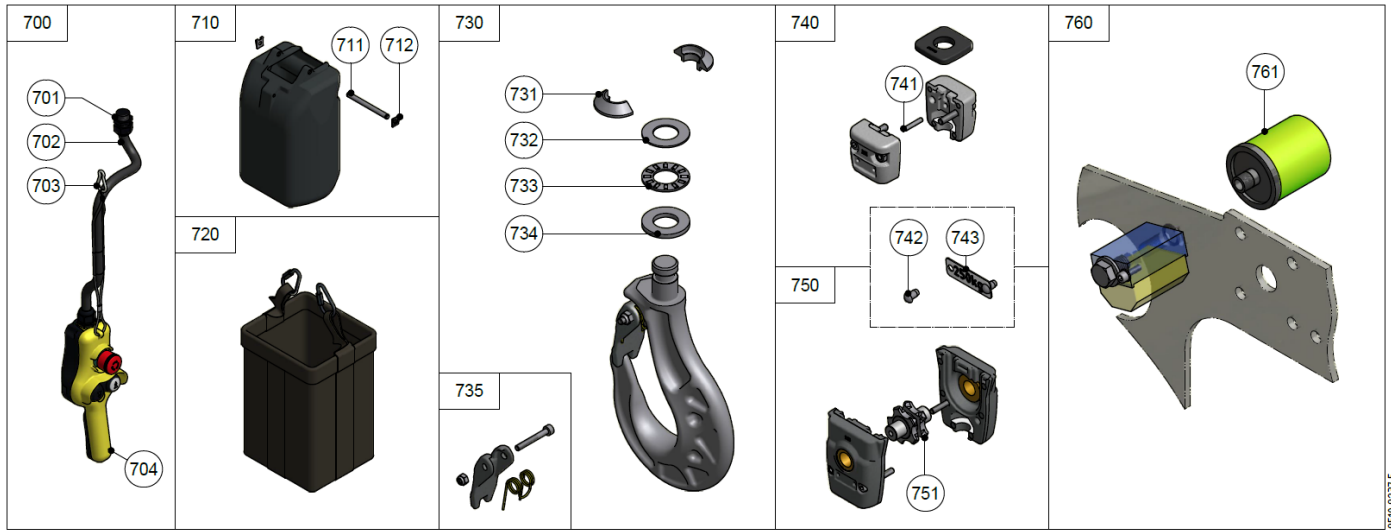
Circuit diagrams | Schéma de connexions | Stroomschema | Kredslobsdiagrammer |
Kytentäkaavio | Aansluitschema | Schema elettrico | Koplingskjema |
Esquema electrico | Elschema | Esquema eléctrico



www.gis-ag.ch







9510.9237.5

		GPK 500
101	1t / 2t, L=90, -N/-NF	9510.3027.3
102	ø125 / ø117 x 2.5	9510.3054.4
103	2/8p, 3 x 400V 50Hz	9512.0350.3
	2/8p, 3 x 230V 50Hz	9512.0351.3
	2/8p, 3 x 460V 60Hz	9512.0350.3
	2p, 3 x 230/400V 50Hz, 3x460V 60Hz	9512.0250.3
	4p, 1 x 115/230V 50Hz	9512.0158.3
104	ø134 / ø13.5 x 35	9510.3062.3
105	165 x 88 x 232	9510.3011.1
106	M5 x 35/22 N	9030.0331
107*	110 x 166 x 5	9510.3033.3
108	0.4A UL	9052.0013
109	M4 x 8	9030.0325
110	2t+NA, 42V	9512.1100.2
	1t+NA, 42V	9512.1000.2
	1t+NA, 115/42V 1Ph	9512.1053.2
	1t+NA, 230/42V 1Ph	9512.1052.2
111	ø4.3 / ø8 x 0.8	9031.3706
112	M25 x 1.5	9055.3103
113	M25	9055.4013
114	ø29.5 / ø23.2 x 1	9040.2511
115	M25 x 1.5	9055.3513
116	M20 x 1.5	9055.3512
117	102 x 165 x 102	9510.3006.2
118	ø38.7 x 2.65 NBR 70	9035.0033
119	M5 x 12 T	9030.0003
120	M3 x 8	9030.8030
121	PMEA 500	9050.4023
122	1t, 2t, max. 480V	9512.1200.3
	DC	9512.1201.3
	1Ph	9512.1203.3
123	M5 x 10	9030.0027
124	400/42V 50/60Hz	9056.4601.4
	115/230//42V 50/60Hz	9056.4644.4
	230/460//42V 50/60Hz	9056.4641.4
125	M5 x 25	9030.0022
126	103 x 84 x 41	9500.3069.3
127	230 x 162 x 5	9510.3034.3
128	M5 x 35/22 N	9030.0331
129	228 x 160 x 208	9510.3005.3
130	M4 x 45	0030.9287
131	6Nm, 100-125VAC 50/60Hz	9050.4055
	6Nm, 200-240VAC 50/60Hz	9050.4056
	6Nm, 360-420VAC 50/60Hz	9050.4057
	6Nm, 440-480VAC 50/60Hz	9050.4058
132	M8 x 40	9030.2018
133	M8	0031.0008
134	ø8.4 / ø16 x 1.6	0031.0578
135	195 x 148 x 201 N	9510.3020.2
	195 x 148 x 201 S	9510.3022.2
136	ø8 x 65	9031.5862
137	ø45 x 13.2	9510.3059.4
138	ø40 / ø26.5 x 4	9510.3057.4
139	ø45 x 10.5	9510.3058.4
142	ø54 x 35.5	9511.3030.2

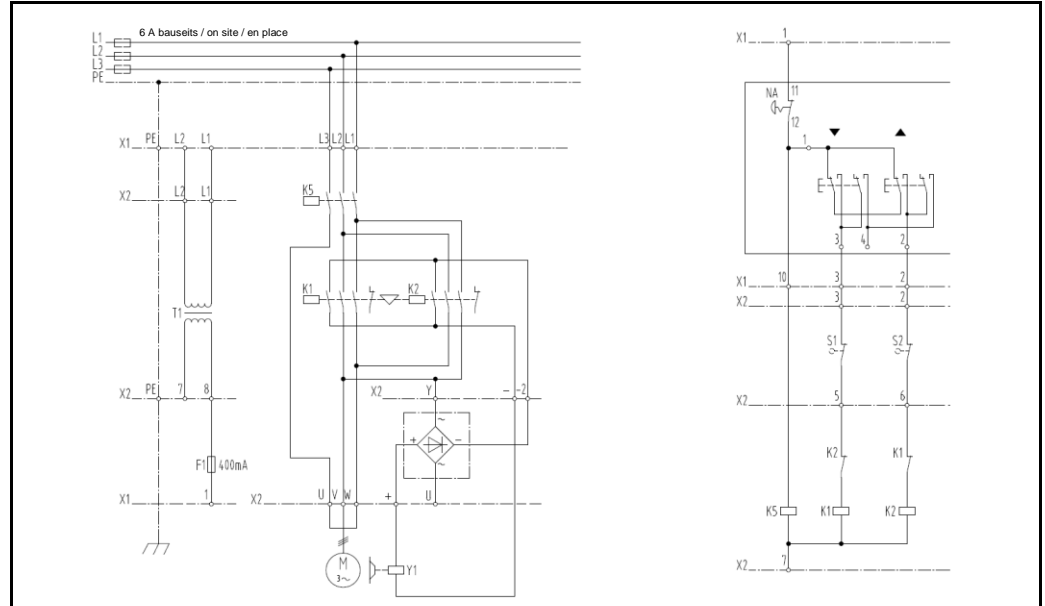
		GPK 500
143	DIN 471, 22 x 1.2	9031.2013
144	M6	9031.3903
145	M6 x 16	9030.0275
146	M5 x 16	9030.0262
147	ø9.8 / ø5.1 x 3	9031.3705
149*	66 x 31 x 88	9511.3061.4
150	187 x 55 x 250	9510.3000.1
151	ø5.5/3.5 x 6	9040.0718
152	41.5 x 34 x 8.3	9510.3013.4
153	M5 x 12 T	9030.0003
154*	80 x 53 x 45	9511.3008.3
155	0.25 l	9041.0007
156*	5.25 x 15	9039.0029
157	193 x 17 x 5 (5.25)	9041.6035
158	M6 x 45/24	9030.0280
159	M6	9031.3903
160	110uF, 1Ph 230V 50Hz	9059.0024
	200uF, 1Ph 115V 50Hz	9059.0025
	275uF, 1Ph 115V 50Hz	9059.0020
161	4.5 x 360	0055.0818
172	ø84 x 9	9400.3156.4
500	M10 x 85	9030.0311
501	754 x 431 x 6	9511.1010.2
502	30 x 25 x 70	9400.1019.4
503	157 x 97 x 35	9511.3075.4
504	128 x 60 x 15	9511.1014.4
505	M10	9031.3801
506	M10	0031.0009
507	80 x 80 x 30	9511.1012.3
508	70 x 35 x 20	9511.1015.4
509	M10 x 25	9030.5285
510	470 x 100 x 6	9511.1018.3
511	80 x 80 x 30	9511.1019.3
512	103 x 72 x 40	9401.1016.4
513	132 x 45 x 30	9511.3020.3
514	M5 x 30	9030.0266
515	80 x 80 x 30	9511.1011.3
516	DIN 625-1 42 x 12 x 20	9038.0002
517	ø54 x 60	9511.1013.4
518	M6 x 70 / 24	9030.0283
519	ø6.4 / ø12.5 x 1.6	0031.0577
520	ø25 x 55	9511.1016.4
521	M5 x 80/22	9030.0272
522	M6	9031.1053
523	M5 N	9031.1275
524	73 x 60 x 154	9511.1017.4
525	ø5 x 50	9039.0410
526	100 x 60 x a - 282 / a - 302	9511.1002.3
527	M6 x 16	9030.1801
528	30 x 10 x 170	9400.1016.4
529	ø17 x ø30 x 2.75	9038.1755
530	DIN 5405-T2 AXK1730	9030.0250
531	ø17 / ø30 x 1	0038.3133
532	14.5 x 29 x 11	9216.3134.4

		GPK 500
700	2K NA 3 m	9290.1086.3
	2K NA 4 m	9290.1087.3
	2K NA 5 m	9290.1088.3
	2K NA 6 m	9290.1089.3
	2K NA 7 m	9290.2014.3
	2K NA 8 m	9290.1090.3
	2K NA 10 m	9290.1091.3
	2K NA 12 m	9290.1092.3
	2K NA 15 m	9290.1093.3
	2K NA 20 m	9290.1094.3
701	M20 x 1.5	9055.3102
702	5 x 0.75 mm2	9055.0110
703	ø5 x 50	9031.8004
704	2K NA	9290.2000.3
710	250 x 120 x 155, 8 m/6 m KS	9510.3016.1
	370 x 120 x 155, 24 m/12 m KS	9510.3019.1
711	ø8 x 94	9510.3056.4
712	15 x 17 x 3.5	9031.2400
720	192 x 212 x 320, XS, 250/40, 500/20	9400.3207.3
	192 x 212 x 420, S, 250/60, 500/30	9400.3208.3
	192 x 212 x 590, M, 250/120, 500/60	9400.3209.3
	192 x 212 x 880, L, 500/100	9400.3241.3
	192 x 212 x 940, XL, 500/120	9400.3210.3
730	157 x 97 x 27	9511.3075.4
731	14.5 x 29 x 11	9216.3134.4
732	ø30 x ø17 x 1	0038.3133
733	DIN 5405-T2 AXK1730	9038.0250
734	ø30 x ø17 x 2.75	9038.1755
735	54 x 23	9510.3079.4
740	48 x 48 x 58	9511.3109.3
741	ø6.5 x 30	9511.3066.4
742	ø3 x 5	9031.6604
743	125 kg	9210.3718.4
	160 kg	9210.3719.4
	200 kg	9210.3720.4
	250 kg	9210.3721.4
	320 kg	9210.3722.4
	400 kg	9210.3723.4
	500 kg	9211.3340.4
	630 kg	9211.3341.4
	800 kg	9211.3342.4
	1 t	9216.3041.4
	1.25 t	9511.3068.4
750	62 x 88 x 101	9511.3017.3
751	ø20 x 60	9511.3035.4
760	ø50x126	9401.2049.4
761	ø50x60 G1/4"	9401.2047.4

Elektrokettenzüge | Electric chain hoists | Palans électriques à chaîne

Schützensteuerung Contactor control Commande par contacteurs		2 Geschwindigkeiten mit Not-Aus 2 speeds with emergency stop 2 vitesses avec marche-arrêt	3 Ph	9510.9501.4
F		Steuersicherung	Control fuse	Fusible de commande
K		Schütz	Contacteur	Contacteur
L		Zuleitung	Power supply	Alimentation électrique
N		Nullleiter	Neutral	Neutre
NA		Not-Aus	Emergency stop	Marche-arrêt
PE		Erdung	Earth	Mise à la terre
S		Schalter	Switch	Interrupteur
T		Transformator	Transformer	Transformateur
U, V, W		Motor	Motor	Moteur
X		Klemmenleiste	Terminal strip	Bornier de raccordement
Y		Bremse	Brake	Frein

9510.9500.4 / 3 Ph



9510.9501.4 / 3 Ph

