

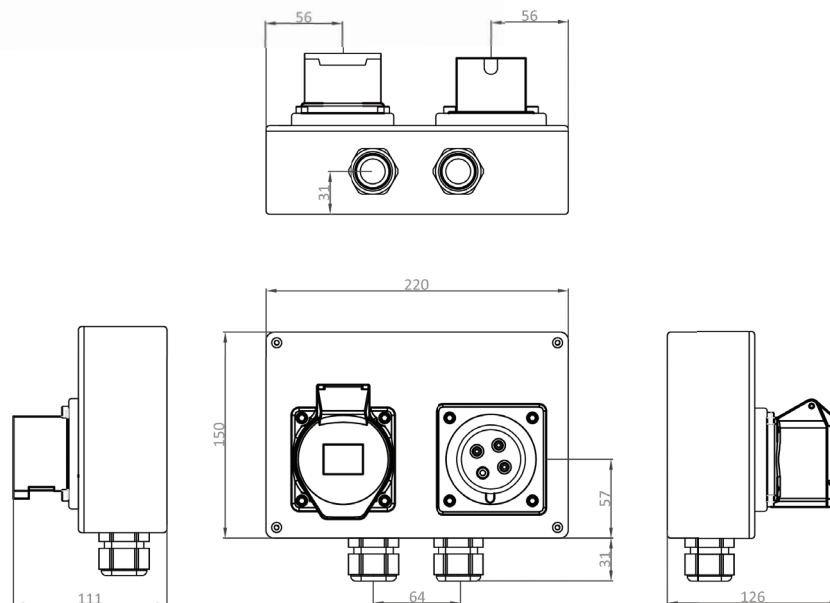
# INTERMEDIATE CONNECTION BOX-CEEFORM



To Compliment our range of guardian controllers, the intermediate connection box enables a fixed local plug in point for chain hoists for installation applications. The Control box comes in a robust enclosure with glands included for securing of cable into the box and Din Rail terminals for easy and quick connection to the ceeform connectors.

## FEATURES

- » Highly Robust Enclosure Protection Class IP54
- » Panel Sockets/Plugs Protection Class IP44
- » Finished in Black
- » Screw Terminal Connections for easy termination
- » IP65 Rated Enclosure and Socket/Plugs option available
- » Other Socket/Plug Combinations available on request
- » Single and dual channel direct control connection boxes also available (see details below)



## SPECIFICATIONS

PRODUCT CODE	CHAIN HOIST SPECIFICATION TYPE	MAXIMUM TERMINAL CSA	POWER VOLTAGE	MAXIMUM CONTROL VOLTAGE	DIMENSIONS	HOIST CONTROL QTY PER ENCLOSURE	ENCLOSURE IP RATING	PLUG (CONTROL) SPECIFICATION	SOCKET (POWER) SPECIFICATION	WEIGHT (KG)
INTC/BOX-CF	LV	2.5mm <sup>2</sup>	415V	110V	220 x 150 x 111mm	1	54	4 Pin Yellow Panel Mount Ceeform Plug	4 Pin Red Panel Mount Ceeform Socket	0.9
INTC/BOX-2DC-CF	DC	2.5mm <sup>2</sup>	415V	N/A	220 x 150 x 111mm	2	54	4 Pin Red Ceeform Socket (through Power)	4 Pin Red Ceeform Socket	0.9
INTC/BOX-DC-CF	DC	2.5mm <sup>2</sup>	415V	N/A	220 x 150 x 111mm	1	54	4 Pin Red Ceeform Socket (through Power)	4 Pin Red Ceeform Socket	0.7

### COMPANY CONTACT DETAILS

**LTM - Lift Turn Move Ltd**  
 Unit 2 Stadium Court  
 Wirral International Business Park  
 Plantation Road, Bromborough  
 Wirral, UK CH62 3QG

### SALES AND GENERAL CONTACTS

Tel: +44 (0)151 649 0467  
 Fax: +44 (0)151 649 0099  
 Email: [sales@LiftTurnMove.co.uk](mailto:sales@LiftTurnMove.co.uk)  
 Email: [accounts@LiftTurnMove.co.uk](mailto:accounts@LiftTurnMove.co.uk)  
 Website: [www.liftturnmove.co.uk](http://www.liftturnmove.co.uk)

### OPENING HOURS

Mon-Thur: 8:30 - 5:00  
 Friday: 8:30 - 2:30

The office is often open outside these times.

### DELIVERIES

We use various methods of delivery and can deliver more or less whenever you need.

To stay up to date with the latest events at LTM please follow us on Facebook, Twitter and LinkedIn



[liftturnmove](https://www.facebook.com/liftturnmove)



[@LiftTurnMove](https://twitter.com/LiftTurnMove)



[@Lift Turn Move Ltd](https://www.linkedin.com/company/liftturnmove)