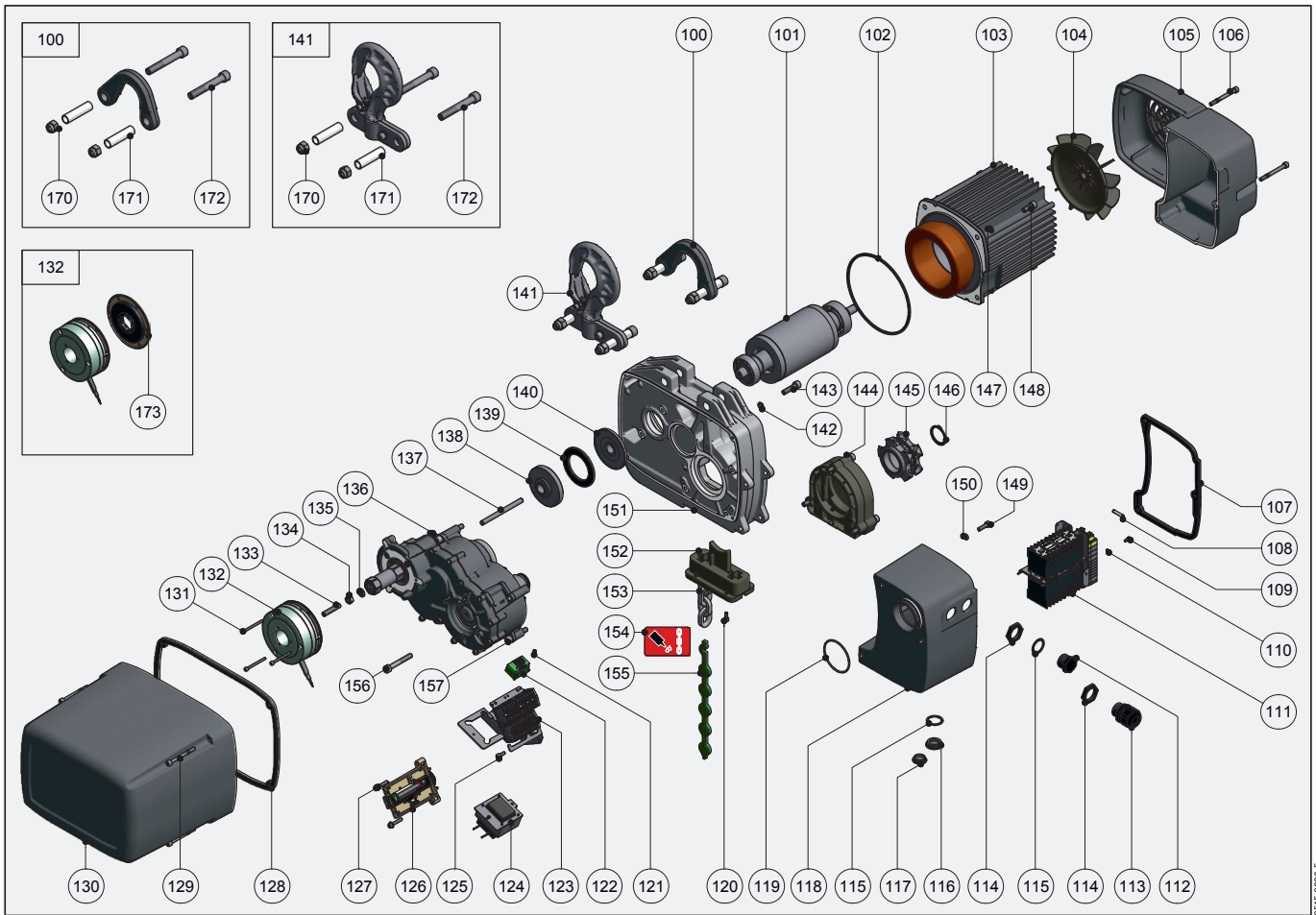


## ERSATZTEILE | STROMLAUFPLÄNE GP 1000

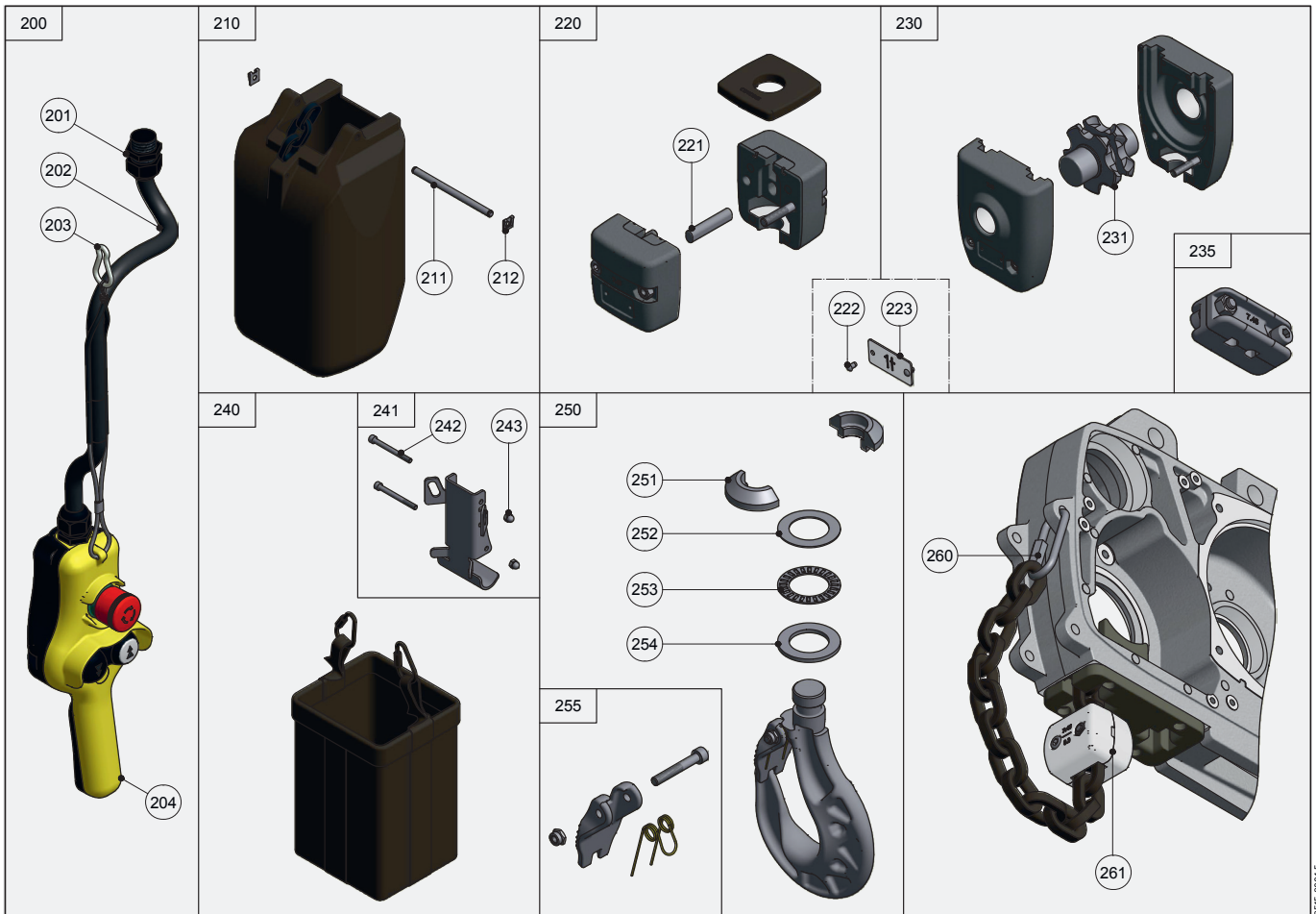
Spare parts | Pièces de rechange | Onderdelen | Reservedele | Varaosat |  
Pezzi di ricambio | Reservedelen | Peças | Reservdelar | Piezas de recambio

Circuit diagrams | Schéma de connexions | Stroomschema | Kredslobsdiagrammer |  
Kytkentäkaavio | Aansluitschema | Schema elettrico | Koplingskjema |  
Esquema electrico | Elschema | Esquema eléctrico





935-9270.5



935-9271.5

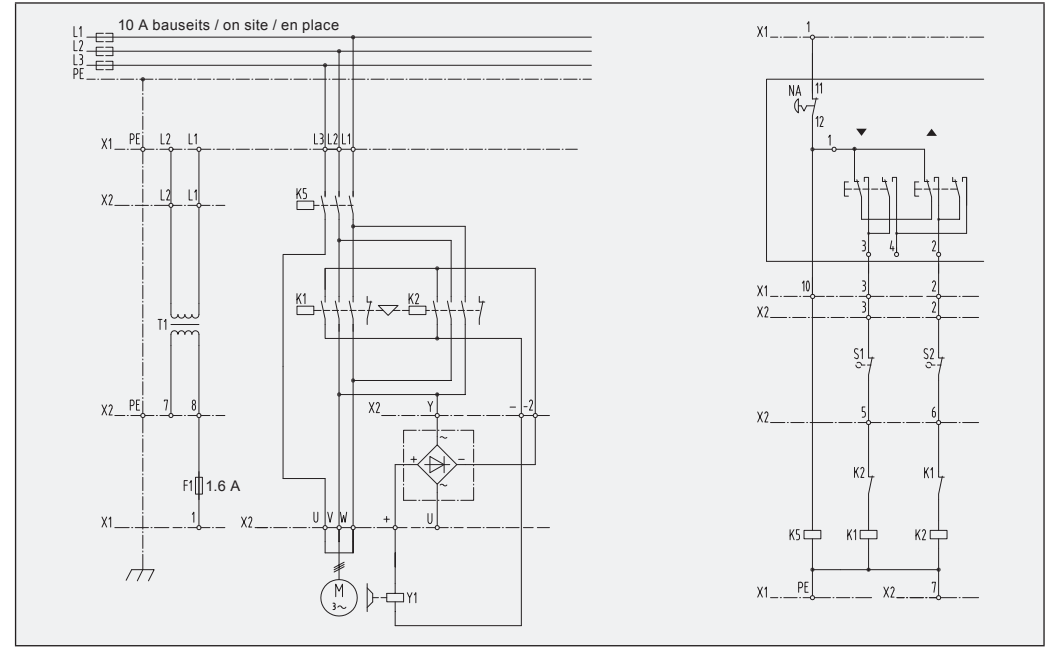
		GP 1000
100*	141 x 96	9515.3077.3
101	2t, L=120, -NF/-SF	9515.3027.3
	1t, L=90, -NL/-N	9515.3028.3
102	ø156 / ø149 x 2.5	9515.3054.4
103	2/8p, 3 x 400V 50Hz	9517.0350.3
	2/8p, 3 x 230V 50Hz	9517.0351.3
	2/8p, 3 x 460V 60Hz	9517.0350.3
104	ø166 / ø14 x 43	9515.3075.3
105	217 x 108 x 310	9515.3011.2
106	M6 x 60/24 N	9030.0339
107*	143 x 219 x 6	9515.3033.3
108	1.6A UL	9052.0012
109	M4 x 8	9030.0325
110	M4	9031.3901
111	2t+NA, 42V	9517.1100.2
	1t+NA, 42V	9517.1000.2
112	M25 x 1.5	9055.3517
113	M25 x 1.5	9055.3103
114	M25	9055.4013
115	ø29.5 / ø23.2 x 1	9040.2511
116	M25 x 1.5	9055.3513
117	M20 x 1.5	9055.3512
118	141 x 217 x 134	9515.3006.3
119	ø59 x 2.5 NBR 70	9035.0034
120	M5 x 12	9030.0003
121	M3 x 8	9030.8030
122	PMEA 500	9050.4023
123	1t, 2t, max. 480V	9512.1200.3
	DC	9512.1201.3
	1t, 2t, 500V-690V	9512.1202.3
124	400/42V 50/60Hz	9056.4701.4
	230/42V 50/60Hz	9056.4741.4
	460/42V 50/60Hz	9056.4741.4
125	M5 x 10	9030.0027
126	103 x 84 x 41	9500.3069.3
127	M5 x 25	9030.0022
128*	305 x 212 x 6	9515.3034.3
129	M6 x 60/24 N	9030.0339
130	303 x 251 x 210	9515.3005.3
131	M5 x 50/22	9030.0270
132	12Nm, 100-125VAC 50/60Hz	9050.4100
	12Nm, 200-240VAC 50/60Hz	9050.4101
	12Nm, 360-420VAC 50/60Hz	9050.4102
	12Nm, 440-480VAC 50/60Hz	9050.4103
	12Nm, 500-575VAC 50/60Hz	9050.4104
133	M8 x 40	9030.2018
134	M8	0031.0008
135	ø8.4 / ø16 x 1.6	0031.0578
136	258 x 176 x 254 N	9515.3020.2
	258 x 176 x 254 S	9515.3022.2
137	ø8 x 100	9031.5863
138*	ø76 x 18	9515.3062.3
139*	ø75 / ø51 x 4	9515.3061.4
140*	ø77 x 9	9515.3063.3
141*	185 x 140 x 92	9515.3078.3
142	M8	9031.3904
143	M8 x 30	9030.0288
144*	136 x 63 x 133	9515.3123.4
145*	ø82 x 41.5	9515.3030.2
146	DIN 471, 32 x 1.5	9031.2017
147	M8	9031.3904
148	M8 x 20	9030.0286
149	M6 x 20	0030.9230
150	ø10.5 / ø6.5 x 3	9040.2508
151	256 x 65 x 327	9515.3000.0
152*	120 x 60 x 72	9515.3008.2
153*	7.45 x 23	9039.0030
154	0.25 l	9041.0007
155	252 x 24.5 x 6 (7.45)	9041.6036
156	M8 x 55/28 T	9030.0343
157	M8 x 40/28 T	9030.0344
170	M12	9031.1225
171	ø16 / ø13 x 60	9405.3094.4
172	M12 x 80/36	9030.0340
173*	ø104.5 x 9.5	9515.3113.4

		GP 1000
200*	2K NA 3 m	9290.1086.3
	2K NA 4 m	9290.1087.3
	2K NA 5 m	9290.1088.3
	2K NA 6 m	9290.1089.3
	2K NA 7 m	9290.2014.3
	2K NA 8 m	9290.1090.3
	2K NA 10 m	9290.1091.3
	2K NA 12 m	9290.1092.3
	2K NA 15 m	9290.1093.3
	2K NA 20 m	9290.1094.3
201*	M20 x 1.5	9055.3102
202*	5 x 0.75 mm <sup>2</sup>	9055.0110
203	ø5 x 50	9031.8004
204*	2K NA	9290.2000.3
210	155 x 180 x 320, 1000/6	9515.3016.0
211	ø8 x 130	9500.3086.4
212	15 x 17 x 3.5	9031.2400
220*	80 x 80 x 90	9515.3094.3
221*	8.5 x 12 x 49	9515.3072.4
222	ø3 x 5	9031.6604
223	0.4 t	9220.3470.4
	0.5 t	9220.3471.4
	0.63 t	9220.3472.4
	0.8 t	9220.3473.4
	1 t	9220.3474.4
	1.25 t	9220.3475.4
	1.6 t	9220.3476.4
	2 t	9221.3412.4
	2.5 t	9230.3226.4
230	95 x 120 x 149	9515.3017.2
231	ø37 x 88	9515.3035.3
235	27 x 36 x 66	9515.3014.4
240	192 x 212 x 320, XS, 1000/8	9515.3108.3
	192 x 212 x 420, S, 1000/10	9515.3109.3
	192 x 212 x 590, M, 1000/20	9515.3110.3
	192 x 212 x 880, L, 1000/33	9515.3111.3
	192 x 212 x 940, XL, 1000/36	9515.3112.3
241	193 x 139 x 63	9515.3098.2
242	M8 x 85/28	9030.0342
243	M8	9031.1052
250*	182 x 120 x 40	9515.3082.4
251	23.5 x 47 x 18	9225.3096.4
252*	ø47 x ø30 x 1	0038.3128
253*	DIN 5405-T2 AXK3047	9038.0252
254*	ø47 x ø30 x 3	9038.1750
255*	69 x 40	9515.3119.4
260	ø5 x 62	9039.0409
261	55 x 46	9515.3013.3

Schützensteuerung Contactor control Commande par contacteurs	1 Geschwindigkeit mit Not-Aus 1 speed with emergency stop 1 vitesse avec marche-arrêt	9510.9500.4 / 3 Ph
	2 Geschwindigkeiten mit Not-Aus 2 speeds with emergency stop 2 vitesses avec marche-arrêt	9510.9501.4 / 3 Ph

F	Steuersicherung	Control fuse	Fusible de commande
K	Schütz	Contacteur	Contacteur
L	Zuleitung	Power supply	Alimentation électrique
N	Nullleiter	Neutral	Neutre
NA	Not-Aus	Emergency stop	Marche-arrêt
PE	Erdung	Earth	Mise à la terre
S	Schalter	Switch	Interrupteur
T	Transformator	Transformer	Transformateur
U, V, W	Motor	Motor	Moteur
X	Klemmenleiste	Terminal strip	Bornier de raccordement
Y	Bremse	Brake	Frein

9510.9500.4 / 3 Ph



9510.9501.4 / 3 Ph

