

# ELECTRIC CHAIN HOIST GPM





**Ivan Muri, CEO** As a Swiss manufacturer with fully automated production, we are loyal to the location Switzerland. The high functionality, long life and robustness of our products help our customers to avoid operational interruptions which can cause high follow-on costs. With our own development and design department, we ensure long-term innovation power. Suppliers from Switzerland and its neighbour countries guarantee the reliability and quality we demand.

**Erich Widmer, Sales and Marketing Manager** From project planning to installation, we support our customers with advice and assistance. As a system supplier of complete crane systems, we can respond to specific customer demands. Our customers particularly value the variety of accessories and options. Our high product quality and readiness to deliver make us a reliable and competent partner worldwide.



# LIGHT AND POWERFUL



Simple and easy to use – reliable and safe in operation – long-lasting and easy to maintain. GIS electric chain hoists have been developed and manufactured in Switzerland for more than 50 years. Hundreds of thousands of them are in operation worldwide – stationary or mobile.

---

Electric chain hoist GPM – the Light Load Lifter

---



# GPM



## Reliable and long-lasting

- 3 year warranty
- Made in Switzerland
- Gearbox with permanent lubrication
- Proven DC spring brake
- High safety in operation
- No sensitive electronics
- Aluminium casing and cover
- Minimum 1600 operating hours with 40% duty cycle, 240s/h
- Profile steel chain
- Dry-running slipping clutch

## Easy to operate

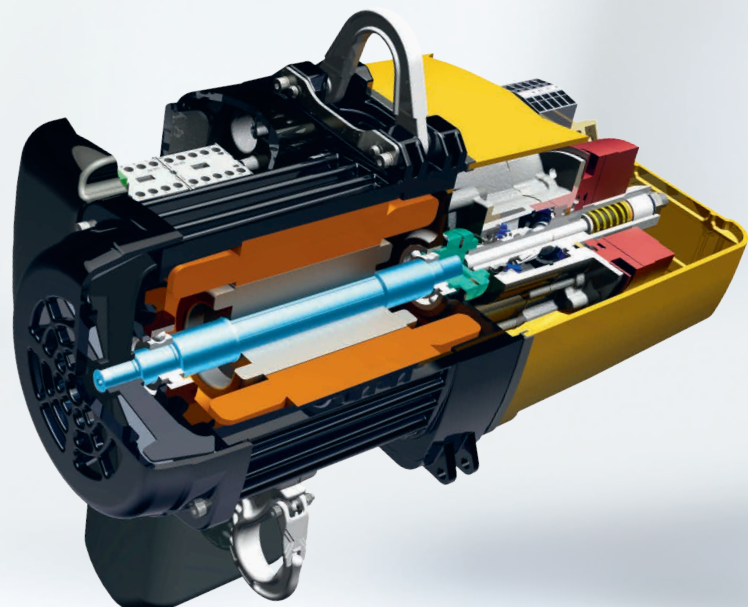
- Low weight – only 14 kg
- Compact design
- Geared limit switch with high positioning accuracy
- Ergonomic control switch
- Quiet operation with 3-step drive with helical gearing
- Short delivery time
- No special tools for maintenance needed
- Effortless to maintain, easy accessible slipping clutch
- Load hook swivels 360 degrees

## Customer specific

- Three- or single-phase power
- Operating voltages at customer request
- Control voltages at customer request
- Special controls
- Special speeds
- Eyebolt and hook suspension
- Lifting heights up to 90m
- Hook travel stop position individually adjustable
- Wide range of accessories and options

## YOUR BENEFITS

The GPM is simply built and contains no sensitive electronics. It is very quiet-running and is designed for a long-life with heavy use. The ergonomic control switch allows easy operation. With only 14 kg weight, it is ideally suited for mobile use. Maintenance is easy, quick and needs no special tools.





## Profile steel chain

The phosphate coated and case hardened profile steel load chain enables a chain diameter 7% smaller than round steel chain with the same load capacity. This allows a more compact design of the drive mechanism, which reduces the weight of the hoist.

## Control switch

The control switch fits comfortably in the hand and is designed for long-term ergonomic working. Operating switches placed in parallel allow easy accessibility. The external strain relief protects the control cable.

## Polygonal connections

A real innovation is hidden inside the chain hoist. All shaft-hub connections are built to a polygonal design. This allows significantly faster disassembly and assembly during maintenance and reduces service costs.

## Protection class IP65

A feature of the design is protection class IP65, it is both dust-tight and protected against water jets. With its compact and robust design, the GPM is ideally suited for outdoor use.



# PRODUCT SELECTION

## Suspensions

Eyebolt or hook suspension for stationary use



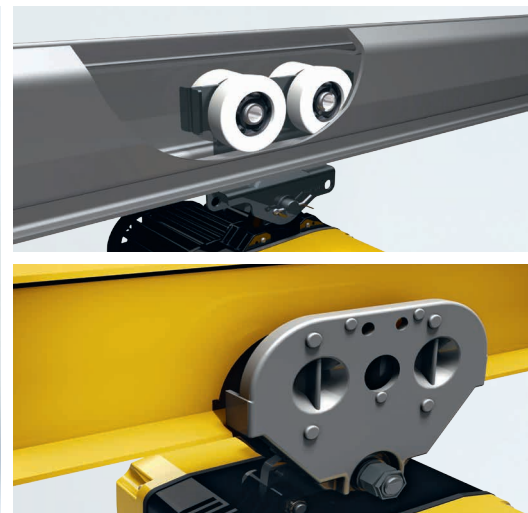
## Handy chain model

Easy one-handed operation for quick and precise positioning of the load



## Trolleys

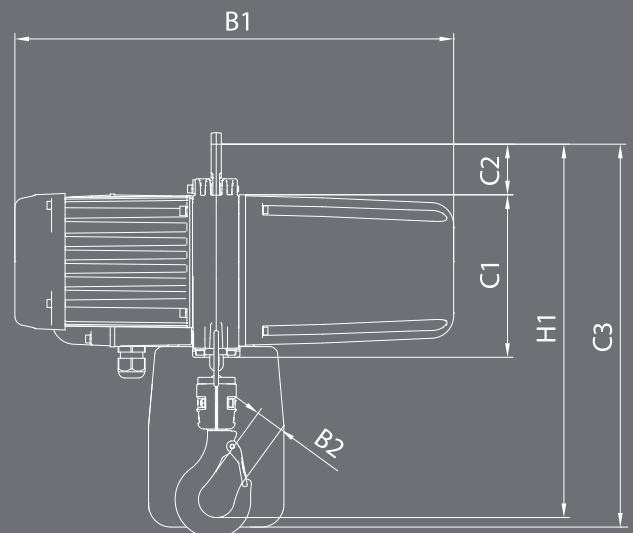
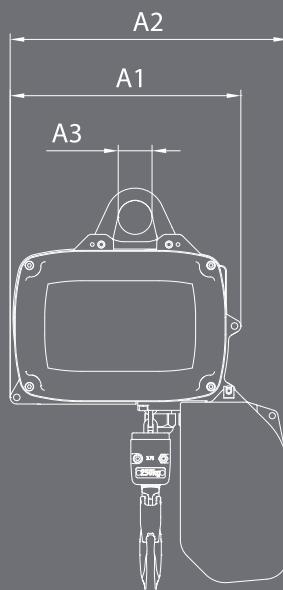
Manual trolleys for hollow profiles made of aluminium or steel or for I-Girders



## DIMENSIONS GPM250

A1	202 mm
A2*	243 mm
A3	Ø30 mm
B1	389 mm
B2	19 mm
C1	134 mm
C2	45 mm
C3*	419 mm
H1	330 mm

\* Chain bucket for 6 m lift maximum





## Standard version

Maximum load capacity: 250 kg (1-fall)
3 × 400 V/50 Hz, 3 × 230 V/50 Hz, 3 × 480 V/60 Hz
1 × 115 V/50/60 Hz, 1 × 230 V/50/60 Hz
Control voltage 42 V low voltage
Single-phase motor: 1 speed
3-phase motor: 2 speeds
Standard lifting height 3 m
Control cable length 1.8 m
Eyebolt suspension
Geared limit switch
Ergonomic control switch with emergency stop
Protection class IP65
Isolation class F (motor)
DC spring brake
Slipping clutch outside the drive train

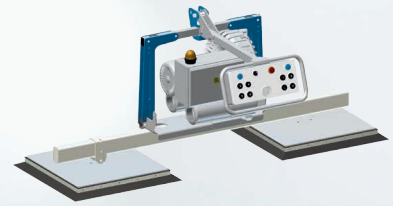
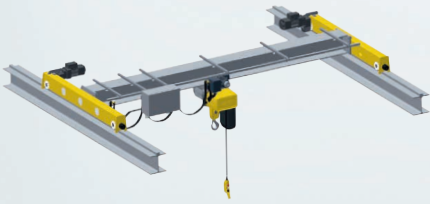
## Accessories and options

Direct control
Other operating voltages on request
Other control voltages on request
One-handed operation with controller on the load hook
Hook suspension
Locking load hook
Geared limit switch with two additional emergency stops
Parallel switching of several chain hoists
Operating hours and switching counter
Brake with manual release
Chain bucket for various lifting heights
Lifting heights up to 90 m
Push trolleys
Grease for low temperature or food industry use
Lifting slings

## PERFORMANCE DATA GPM250

Load capacity (kg)	Type	Speed 50 Hz (m/min)	Speed 60 Hz (m/min)	FEM/ISO Group	Power (kW)
80	GPM250/1 NF	8/2	9,6/2,4	4m/M7	0,37/0,1
80	GPM250/1 SF	16/4	19,2/4,8	4m/M7	0,37/0,1
80	GPM250/1 NL 1 Ph	4	4,8	2m/M5	0,25
80	GPM250/1 N 1 Ph	8	9,6	2m/M5	0,25
100	GPM250/1 NF	8/2	9,6/2,4	4m/M7	0,37/0,1
100	GPM250/1 SF	16/4	19,2/4,8	3m/M6	0,37/0,1
100	GPM250/1 NL 1 Ph	4	4,8	2m/M5	0,25
100	GPM250/1 N 1 Ph	8	9,6	2m/M5	0,25
125	GPM250/1 NF	8/2	9,6/2,4	4m/M7	0,37/0,1
125	GPM250/1 SF	16/4	19,2/4,8	2m/M5	0,37/0,1
125	GPM250/1 NL 1 Ph	4	4,8	2m/M5	0,25
125	GPM250/1 N 1 Ph	8	9,6	2m/M5	0,25
160	GPM250/1 NF	8/2	9,6/2,4	4m/M7	0,37/0,1
160	GPM250/1 NL 1 Ph	4	4,8	2m/M5	0,25
200	GPM250/1 NF	8/2	9,6/2,4	3m/M6	0,37/0,1
200	GPM250/1 NL 1 Ph	4	4,8	2m/M5	0,25
250	GPM250/1 NF	8/2	9,6/2,4	2m/M5	0,37/0,1
250	GPM250/1 NL 1 Ph	4	4,8	2m/M5	0,25
320	GPM250/1 NF	8/2	9,6/2,4	1Am/M4	0,37/0,1





## Crane systems

GISKB steel crane construction kit for line-bound or all-round goods handling. GISKB aluminium crane system, slewing pillar and wall cranes for smooth handling of transport goods. Travelling cranes and slewing cranes made of steel profiles for heavier loads.

## Hoisting equipment

Over 50 years experience in the manufacture of electric chain hoists: robust, durable, reliable and highly resistant to wear. Simple maintenance. Various special versions for every application area. Wide range of accessories and options.

## Vacuum handling systems

GIS vacuum handling systems for the ergonomic and gentle handling of goods made of different materials like wood, glass, stone, metal or plastic. In combination with the appropriate crane system.

**GIS AG – the specialist for crane systems** Founding of the GIS AG in 1957 | With own subsidiary in Germany since 1966 | Development and production of electric chain hoists in Switzerland for over 50 years | Swiss manufacturer of complete crane systems inc. hoisting equipment and vacuum lifters | Certified to ISO 9001 since 1994 | Complete market services from project planning to installation, start-up and maintenance | International sales network with over 50 qualified partners worldwide

Swiss Lifting Solutions

Certified to ISO 9001

