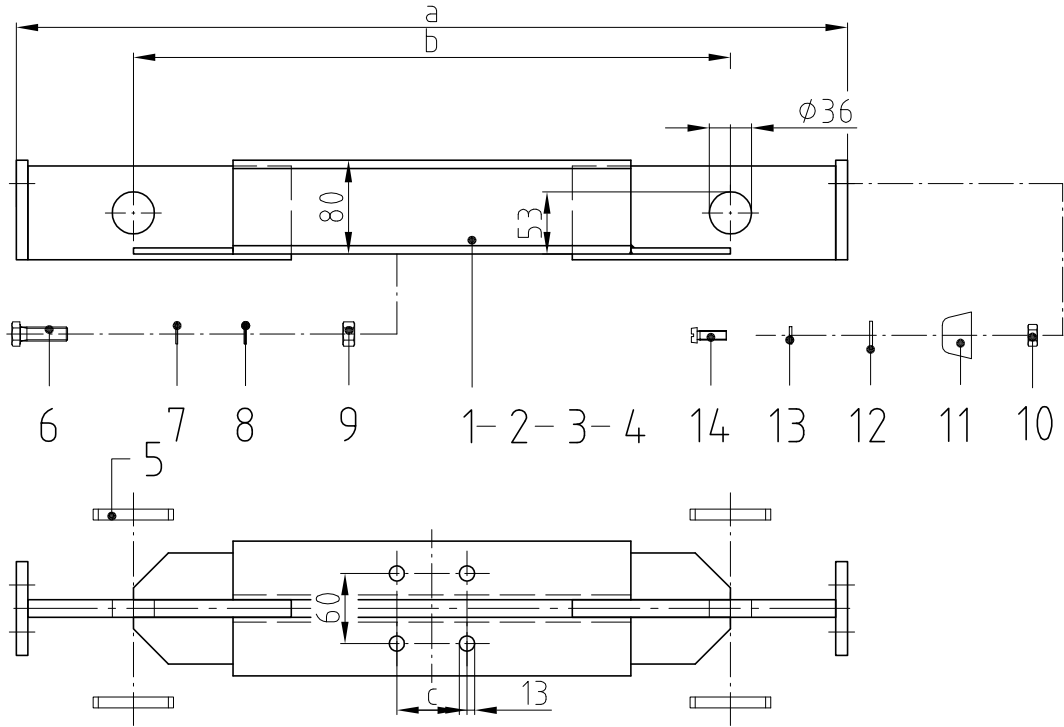


Type	a	b	max. span width	c	
ERK 50/ 800	1000	800	5000	- Dependent on size of cross beam - Recommendation to DIN 997	- Lifting capacity max. 1000kg - Drilling for crossbeam on site - Colour: grey primed
ERK 50/ 1200	1400	1200	7500		
ERK 50/ 1600	1800	1600	10000		
ERK 50/ 2000	2200	2000	12500		



Stückzahl Quantity			
VI	III	II	I
ERK 50/ 2000	ERK 50/ 1600	ERK 50/ 1200	ERK 50/ 800

8	8	8	8	Slotted cheese head screw M8x25	St 4,8, vz	14	0030.3505
8	8	8	8	Spring washer M8	FSt, vz	13	9031.3904
8	8	8	8	Washer 8.4/17x1.6	St, vz	12	0031.0578
8	8	8	8	Buffer φ40x25	SBR	11	9038.4500
8	8	8	8	Hexagon nut M8, 0.8d	St 8, vz	10	0031.0008
8	8	8	8	Hexagon nut M12, 0.8d	St 8, vz	9	0031.0040
8	8	8	8	Washer 13/24x2.5	St, vz	8	0031.0580
8	8	8	8	Spring washer M12	FSt, vz	7	9031.3907
8	8	8	8	Hexagon screw M12x40	St 8,8, vz	6	9030.5296
4	4	4	4	Pipe R45/3x6.5	E235	5	9247.1506.4
2				Basic side frame l=2000	S235JR	4	9247.1504.3
	2			Basic side frame l=1600	S235JR	3	9247.1503.3
		2		Basic side frame l=1200	S235JR	2	9247.1502.3
			2	Basic side frame l=800	S235JR	1	9247.1501.3

Bezeichnung / Dimension			Werkstoff	Pos.	Artikel-Nr.
Norm freigeben			Klasse:	Ersetzt durch	Ersatz für
REV.	DATUM	USER	Basic side frame set		
-			ERK50 Technical datasheet		
Gezeichnet	J.SUPPIGER		Massstab 1:5		

	swiss lifting solutions	9248.9216.1	Revision
			-