

TRANSLATION OF THE ORIGINAL INSTRUCTION MANUAL

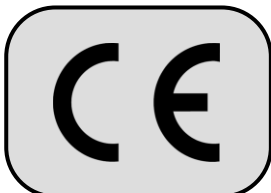
Travel trolley EHF 50/150/300/500 • EMFE 50/150/300/500

EURO-MODEL 2000

+ SWISS QUALITY

EHF

EMFE



M A D E I N S W I T Z E R L A N D



Table of contents

0	General information	4
0.1	General safety information	4
0.1.1	Safety and hazard precautions	4
0.2	General safety specifications and procedures	4
0.2.1	Warning paint / Marking / Danger signs	4
0.3	Special safety directions	4
0.4	Notes on hazard protection	5
0.4.1	Hazards caused by mechanical influences	5
0.4.2	Hazards caused by electrical energy / power supply	5
0.4.3	Sound level (SPL)	6
0.5	Technical status	6
0.5.1	Technical data	6
0.5.2	Recurrent checks	6
0.6	Operational parameters	6
0.6.1	Directions for using the instruction manual	7
1	Description	7
1.1	Operating conditions	7
1.2	General functional description	8
1.2.1	Side plate	8
1.2.2	Spindle	8
1.2.3	Counterweight	8
1.2.4	Wheel flanges	8
1.2.5	Drive	8
1.2.6	Electrical control	8
1.2.7	Brake	8
1.2.8	Control switch	8
2	Start-up	8
2.1	Transport and assembly	8
2.1.1	Push travel trolley	8
2.1.2	Electric travel trolley	9
2.2	Connection	9
2.2.1	Electrical connection	9
3	Service and maintenance	9
3.1	General regulations for service and maintenance work	9
3.2	Service and maintenance	10
3.2.1	Maintenance overview	10
3.2.2	Service overview	10
3.2.3	Gearbox	10
3.3	Ordering spare parts	10
4	Measures for obtaining a safe period of operation	11
4.1	Determining the actual utilization period S	11
4.2	General overhaul	11
5	Appendix	12
5.1	Technical data	12
5.2	EC Declaration of conformity	14
5.3	EC Declaration of incorporation	15

Spare parts / Ordering spare parts

The correct order numbers for the original spare parts can be found in the spare parts list. Please enter the following data on your travel trolley, so that you always have it to hand, and the required parts are delivered quickly.

Travel trolley type :

Manufacture number :

Year of manufacture :

Load capacity :

Original spare parts for the travel trolleys can be acquired from the following addresses:

1. Manufacturer

GIS AG
Swiss Lifting Solutions
Luzernerstrasse 50
CH-6247 Schötz

Tel. +41 (0)41 984 11 33
Fax +41 (0)41 984 11 44

tel@gis-ag.ch
www.gis-ag.ch

2. Agent

.....
.....
.....
.....
.....
.....

0 General information

0.1 General safety information

0.1.1 Safety and hazard precautions



DANGER !

Non-compliance, either in part or full, with work or operational instructions marked with this symbol can result in serious personal injury or even death. Warning instructions must be **strictly** complied with.



CAUTION !

Non-compliance, either in part or full, with work and operational instructions marked with this symbol can result in major damage to machinery, property or materials.

Cautionary notices must be **strictly** adhered to.



NOTE

Effective and simple operation is the result of following the directions noted under this symbol.

These notes make your work easier.

0.2 General safety specifications and procedures

The instruction manual for the travel trolleys must be kept in the area where the trolley is used. The instructions contained in this manual must be strictly adhered to. Furthermore, in addition to the instruction manual, any statutory regulations governing general accident prevention and environmental protection are to be observed.

Operating and service personnel must have read and understood the operating instructions, in particular the safety instructions, before commencing work. Protective gear for operating and service personnel must be made available and worn at all times. The operator or his designated representative is responsible for the safety and hazard awareness of the operating personnel and are responsible for the supervision thereof.

0.2.1 Warning paint / Marking / Danger signs

- CE symbol.....figure 0-1
- Model plate.....figure 0-2
- Data plate.....figure 0-3

0.3 Special safety directions

Transport and assembly:

- Travel trolleys, single parts and large components are to be carefully attached to suitable and technically acceptable hoisting equipment / load lifting members

Connection:

- Connection work may only be carried out by personnel specifically trained for the job

Start-up / operation:

- Before initial start-up, as well as at daily start-up, carry out a visual check and the prescribed user checking routine
 - Do not neglect any procedures that affect safety
 - Only operate the travel trolley when the available protection and safety equipment is fully functional
 - Damage to the travel trolley and any changes in its operational performance must be immediately to a responsible person
 - After use, or when in non-operational mode, the travel trolley should be secured to prevent unauthorised and improper use
 - Transport of persons is not allowed
 - Moving loads above persons is not allowed
 - Persons are not allowed to remain below moving loads
 - Moving excessive loads is not allowed
 - Do not pull on the control cable
 - Always monitor and control the load
- See also "Intended application" (chapter 0.6)

Cleaning / service / repair / maintenance / refitting:

- For assembly work above body height, the necessary working platforms or ladders must be made available
- Do not use machine parts for this purpose
- Check the electrical cable for damage or wear
- For reasons of safety and to protect the environment, take care when draining oils or using other consumables, disposing of them carefully
- Safety apparatus that has been disassembled to enable the trolley to be serviced or repaired must be reassembled and checked after the service and repair work has been completed

- The testing and service intervals laid down in the instruction manual must be adhered to
- Directions laid down in the instruction manual regarding the exchange of parts must be followed
- Operating personnel are to be informed before commencing special or refitting work
- The working area where repairs are being carried out should be secured
- During service or repair work, the travel trolleys should be secured to prevent unauthorized switching on
- Warning signs must be positioned
- The power cable is to be disconnected and secured against unauthorized connection
- Screw connections that have been loosened for repair or service work must be retightened
- Parts that are not reusable, such as O-rings, gaskets, self-locking nuts, split-pins and washers are to be replaced

Shut down / storage:

- Before long periods of inactivity or storage, the travel trolleys must be cleaned and protected with oil or grease

0.4 Notes on hazard protection

Hazard areas must be clearly marked with warning signs and cordoned off. It is vital that warnings regarding hazardous areas are given due attention.

Hazards can arise as a result of:

- incorrect use
- inadequate adherence to safety instructions
- carrying out testing and service work incompletely or inadequately

0.4.1 Hazards caused by mechanical influences

Personal injury:



DANGER !

Unconsciousness and injury as a result of:

- crushing, pinching, cutting and twisting
- drawing into the machinery, jolting, piercing and rubbing
- slipping, stumbling and falling

Source:

- crush, pinch and twist areas
- fracture or bursting of parts

Protective measures:

- floor, equipment and machinery are to be kept clean
- eliminate leakages
- keep at a safe distance

0.4.2 Hazards caused by electrical energy / power supply

Work on electrical apparatus or machinery may only be carried out by qualified electricians or persons under the supervision and guidance of qualified electricians, in accordance with the electrical regulations laid down.

Personal injury:



DANGER !

Death as a result of electrical shock, injury and burns arising from:

- contact
- faulty insulation
- faulty servicing or repair work
- short circuits

Source:

- contact with, touching of or standing too close to uninsulated electrical components
- use of uninsulated tools
- exposed electrical components following breakdown of insulation
- inadequate execution of safety checks following repair work
- incorrect fuses installed

Protective measures:

- machinery and equipment that is to be inspected, repaired or serviced should be isolated before work commences
- first check that isolated components are not live
- regularly check electrical fittings
- change loose or damaged cables immediately
- blown fuses must be replaced with fuses of the same rating
- avoid contact with or touching live components
- only use insulated tools

0.4.3 Sound level (SPL)

Tests on the travel trolley's noise level are to be performed at a range of 1, 2, 4, 8 and 16 meters from the centre of the travel trolley motor to the measuring device.

Measurement of SPL according to DIN 45 635.

The noise level was measured:

- a) during operation of travel trolleys in a factory
 - b) during operation in the open
- See table 0-1.

0.5 Technical status

The present document was written in 2008. It corresponds to European Parliament Directive 2006/42/EC and that of the Council on 17 May 2006.

0.5.1 Technical data

0.5.1.1 Models EHF/EMFE..... table 0-2

0.5.2 Recurrent checks

Every operator of the equipment must note in the inspection booklet all checks, maintenance and inspection work that have been carried out, and this must be confirmed by the competent person in charge.
Incorrect or missing entries may lead to the manufacturer's warranty no longer being valid.



CAUTION !

All equipment and cranes are to be periodically tested by a specialist, basically, visual and functional checks are to be performed where the condition of the components is assessed with regard to damage, wear, corrosion or other changes. In addition, the completeness and efficiency of the safety devices must be inspected. In order to correctly assess the condition of wearing parts, it may be necessary to dismantle the equipment.



CAUTION !

The load bearing components must be inspected over their entire length, including covered or hidden parts.



CAUTION !

All periodical inspections are to be arranged by the operator.

0.6 Operational parameters

The EHF and EMFE series of travel trolleys have differing load capacities. Travel trolleys are manufactured in accordance with the latest technical developments and the known technical safety regulations and specifications, and have been tested for safety by the manufacturer.

Travel trolleys are approved by various international institutes, such as TÜV and others. This series of travel trolleys may only be used when in an acceptable technical condition, in accordance with their operating parameters and by personnel who are aware of safety and potential hazards.

The operational parameters of the travel trolleys also encompass compliance with the pre-defined operating, service and maintenance requirements laid down by the manufacturer.

The operational parameters do not include:

- exceeding the defined load capacity
- pulling the load diagonally
- heaving, pulling or dragging the load

See also chapter 0.3.

Inching operations and driving against the limit switches should be avoided. The manufacturer accepts no responsibility for damage to equipment and third parties ensuing from such action.

0.6.1 Directions for using the instruction manual

This instruction manual includes the following chapters:

- | | | | |
|---|-------------------------|---|---|
| 0 | General information | 4 | Measures for obtaining a safe period of operation |
| 1 | Description | 5 | Appendix |
| 2 | Start-up | | |
| 3 | Service and maintenance | | |

Supplementary to the instruction manual, the following documentation from the operator must be noted:

- Declaration of conformity
- Log book
- Spare parts list(s)
- Circuit diagrams

Page and figure numeration:

The pages are consecutively numbered. Blank pages are not numbered, however are calculated together with the consecutive pages.
Figures are numbered consecutively by chapter.

Example:

Figure 3-1 means: in chapter 3, figure 1

1 Description

General:

The series consists of the following models:
EHF, EMFE

1.1 Operating conditions

Classification according to application:

The travel trolleys are classified into ISO Groups according to the following standards:

- DIN EN 14492-2
- FEM calculation regulations for series lifting equipment (motor, full load-life span)
- ISO 4301-1: D (M3) = 400 h
- Specifications for general overhauls (see chapter 4)

There are differing guidelines for the ISO Groups that must be adhered to in operation.



CAUTION !

The travelling trolley is always classified into the same ISO Group as the associated electric chain hoist.



NOTE

The ISO Group registration number of the travel trolley can be found on the model plate.

The manufacturer will only guarantee safety and service life when the travel trolley is used for applications that fall within its valid ISO Group guidelines.

Before the first start-up, the user has to assess which one of the four types of load is correct for the use of the travel trolley during its whole service life according to table 1-1. Table 1-2 shows standard values for the operating conditions of the ISO Groups depending on the type of load and the time of operation.

Determining the correct application for a travel trolley:

The correct type of application for a travel trolley can be determined from either the running time or from the expected type of load.



CAUTION !

Before starting to operate the travel trolley, first determine which of the load types shown in table 1-1 for the travel trolley will be used. The classification of a load type, or a collective load, (k), is for the complete operational life of the equipment and may not be altered for reasons of operational safety.

Example 1: Determining the permissible operational time of a travel trolley:

An ISO Group M4 travel trolley is to be used for medium loads throughout its entire service life. This corresponds to the load type <3 heavy> (see table 1-1). From the values in table 1-2, the travel trolley should not be used for longer than 0.5 - 1 hour per working day.

Example 2: Determining the permissible load type:

An ISO Group M5 travel trolley is to be used for approximately 6 hours per working day throughout its entire service life. Thus the travel trolley should be operated in accordance with the characteristics of load type <1 light> (see table 1-1).

1.2 General functional description

1.2.1 Side plate (figure 1-1 / 1)

The side plate is made of sturdy cast iron and fitted with fall protection. Depending on the model, either one or two spindles are required for assembly.

1.2.2 Spindle (figure 1-1 / 2)

The spindle is made of special steel. Depending on the length, two sleeves (2a), two large washers (2b) and several small washers (2c) are used. The hexagonal nut (2d) is secured with the lock nut (2e).

1.2.3 Counterweight (figure 1-1 / 3)

The counterweight is needed in an electric travel trolley, to compensate for the weight of the drive motor and controller.

1.2.4 Wheel flanges (figure 1-1 / 4a, 4b)

For push travel trolleys, four smooth wheel flanges (4a) are needed, while for electric travel trolleys, two smooth wheel flanges and two toothed wheel flanges (4b) are required. They are made of cast iron and mounted in ball bearings.

1.2.5 Drive (figure 1-1 / 5)

GIS electric travel trolleys are driven by induction motors. On two speed models, a pole-changing version of the engine is fitted. The motors comply with the statutory provisions and FEM calculation rules for travel trolleys. The winding meets the requirements of insulation class F.

A spur gear (-N; -S) reduces the speed of the motor to the wheel flange.

1.2.6 Electrical control (figure 1-1 / 6)

The motorized carriages are equipped with a 42 V contactor control as standard. The built in emergency stop contactor disconnects all three mains phases when the red button is pressed.

1.2.7 Brake (figure 1-1 / 7)

An optional DC brake can be attached to the drive motor.

1.2.8 Control switch (figure 1-2)

The standard version of the electric travel trolley includes a control switch (up / down and forward / back with emergency stop). The emergency stop contact in the control switch cuts the contactor supply circuit.

2 Start-up



DANGER !

Mechanical adjustments may only be carried out by authorized, competent personnel.



CAUTION !

The operating staff must carefully read the operating instructions for the electric travel trolleys before its initial operation and carry out all necessary checks. Only when safe operation has been established may the device be put into operation. Unauthorized persons may not operate the device or work with it.

2.1 Transport and assembly

When transporting and assembling the electric travel trolley, the safety instructions for handling loads are to be followed (see chapter 0.3).

The electric travel trolleys must be assembled by qualified staff, always bearing in mind the accident prevention instructions in chapter 0.2. Before assembly the electric travel trolley must be stored in an enclosed room or covered area.

Should the electric travel trolley be used outdoors, then it is recommended that a protective cover is erected to shield it from the weather.

Wherever possible, the electric travel trolley should be transported in its original packaging. Check that the delivery is complete and dispose of the packaging material in an environmentally friendly manner. It is recommended that the assembly and connection of the electric travel trolley is carried out on-site by our qualified customer service personnel.

2.1.1 Push travel trolley

Verifying the carrying capacity:

The carrying capacity must correspond to at least that of the electric chain hoist.

How to mount the travel trolley:

The two side plates mounted on the spindle make up the travel trolley. The spindle is to be mounted from the inside to the outside, as shown in figure 1-1. When doing so, please observe that there is the same number of washers (2c) on both sides. For spindles with narrow flange widths, the two bushes (2a) should be omitted.



CAUTION !

The flange width of the carrier must be within the clamping area of the spindles supplied. Clearance between wheel flanges (4a, 4b) and carrier may not exceed 1.5 mm. A washer (2c) must always be placed between the shield (1) and the hexagonal nut (2d). The torque applied to the hexagonal nut must always be as in table 0-2. Screw on the locknut (2e) until it is hand tight, then tighten with a spanner by 1/4 or 1/2 of a turn.



CAUTION !

Do not re-use locknuts (2e) according to DIN 7967.

2.1.2 Electric travel trolley

To check the carrying capacity and assembly of the travel trolley, see chapter 2.1.1. The counterweight (3) is bolted to the side plate (1) with the smooth wheel flanges (4a), the drive (5) with the control system (6) to the side plate (1) with toothed wheel flanges (4b). A brake unit (7) can be retrofitted to all travel trolleys.

2.2 Connection

2.2.1 Electrical connection



DANGER !

Electrical adjustments may only be carried out by authorized specialists.

When connecting the electric travel trolley to the mains power supply, the mains connection cable, connection fuse and main switch must be installed by the customer beforehand.

A 4-core cable with a polythene insulated earth conductor is needed to provide the power supply for three-phase models. A 3-core insulated cable with earth conductor is adequate for single-phase models. The length and the cross-section must be dimensioned to suit the power consumption of the electric travel trolley and the electric chain hoist.

- Before connecting the motorized carriage, check the model plate to ensure the operating voltage and frequency are the same as that of the power supply to be used
- Remove the control box lid
- Thread the connecting cable gland with the M25 x 1.5 cable gland into the lower hole and connect up to the L1, L2, L3 and PE terminals in accordance with the wiring diagram supplied
- Thread the control cable with the M25 x 1.5 cable gland into the hole at the bottom of the housing and connect up in accordance with the wiring diagram supplied. Attach the cord grip to the housing



DANGER !

The earth conductor is not to carry any current. When operating with an electric chain hoist, a connecting cable is connected to the drive motor. When using a motor protection switch, observe the current as shown on the nameplate of the electric travel trolley and the electric chain hoist.



CAUTION !

Checking direction of rotation: If the direction of rotation does not correspond with the button symbols on the control switch, power supply wires L1 and L2 must be swapped round.



NOTE

Open the terminal in accordance with figure 2-1.

3 Service and maintenance

3.1 General regulations for service and maintenance work

Operating failures on the electric travel trolleys impair the safe operation of the device, and must be resolved immediately. The electric travel trolley may only be serviced by trained and authorized specialists.



NOTE

We recommend that maintenance work is carried out by our customer service department.



CAUTION !

If the operator performs maintenance work on an electric travel trolley on his own account, the type of maintenance work must be entered in the inspection booklet together with the date.

Alterations, changes and add-ons to the electric travel trolleys that may affect safety must be authorized by the manufacturer in advance. The manufacturer will not be liable for any claim where alterations to the construction of the travel trolleys have not been authorized by the manufacturer.

Material warranty claims will only be considered if only genuine spare parts from the manufacturer have been used.

We wish to point out explicitly that those original parts and accessories not supplied on our behalf cannot be inspected or approved by us.

General:

Service and maintenance are preventive measures designed to enhance the full functionality of the electric travel trolleys. Non-compliance with the service and maintenance routines can result in a reduction of the useful function of and/ or damage to the electric travel trolleys.

Service and maintenance work is to be carried out at the specified time intervals in accordance with the instruction manual (table 3-1 and 3-2).

During service and maintenance work the general accident prevention instructions, special safety instructions (chapter 0.3) and the notes on hazard protection (chapter 0.4) are to be observed.



DANGER !

Service and maintenance work is only to be carried out on unloaded electric travel trolleys. The main switch must be off.

The maintenance work encompasses visual checks and cleaning routines. Service work includes additional functional checks.

During the functional checks, all fasteners and cable clamps must be checked for security.

Cables must be inspected for dirt, discoloration and arc spots.



CAUTION !

Used operating fluids (oil, lubricants ...) are to be safely collected and disposed of in an environmentally friendly manner.

Service and maintenance intervals are defined as follows:

- t.....: daily
- 3 M.....: quarterly
- 12 M.....: annually

The specified service and maintenance intervals are to be reduced when the loading of the electric travel trolley is greater than average and when unfavourable conditions occur frequently during operation (dust, heat, humidity, steam etc.).

3.2 Service and maintenance

The travel trolleys require almost no maintenance.

The rollers should be periodically checked for wear and changed if necessary. If unusual noises are heard during use, report this to a competent person immediately. The repairs must be carried out immediately.

3.2.1 Maintenance overview

See table 3-1.

3.2.2 Service overview

See table 3-2.

3.2.3 Gearbox

The gearbox of the electric travel trolley has permanent lubrication.

Lubricant.....: Strub HT PU 680
Can be mixed and is compatible with all other brand name greases that are of a compatible type (DIN 51502: KP 1 S-20)

Lubrication quantity : 0.1 kg

3.3 Ordering spare parts

Notes on how to order spare parts can be found on page 3.

4 Measures for obtaining a safe period of operation

The statutory and health requirements of EU regulations stipulate that specific dangers which may arise from fatigue or ageing must be prevented. In accordance with this, the operator of the serial trolleys is obliged to determine the actual utilization. The actual utilization period is determined and documented during the annual inspection by customer service engineers. A general overhaul must be carried out when the theoretical utilization limit is reached, or after no more than 10 years. All checking and the general overhaul itself must be arranged by the operator of the travel trolley.

The following theoretical utilization period applies to travel trolleys that are classified according to ISO 4301-1 (converted into full-load hours):

M3	M4	M5	M6	M7
400 h	800 h	1600 h	3200 h	6300 h

4.1 Determining the actual utilization period S

The actual utilization period depends on the daily operating time and the collective load. The running time is determined in accordance with information provided by the operator or recorded using a meter that counts the number of operating hours. The load collective is determined in accordance with table 1-1. These two items of information are used to calculate the annual utilization period from table 4-1.

If a production data collection system is used, the actual utilization can be read off directly by our specialists during the annual inspection.



CAUTION !

The utilization times, whether calculated periodically or read-off, must be documented in the inspection booklet.

4.2 General overhaul

On reaching the end of the theoretical service life (no later than 10 years where there is no data collection system), a general overhaul must be performed. Here the device is brought back to a condition that allows safe operation for another period of utilization (service life). Components must be inspected and/ or exchanged according to table 4-2. The inspection must be carried out by either a specialist company authorized by the manufacturer, or by the manufacturer himself, as must the approval for further use.

The inspector determines: – the new theoretical utilization
– the maximum period until the next general overhaul

This data is to be documented in the inspection booklet.

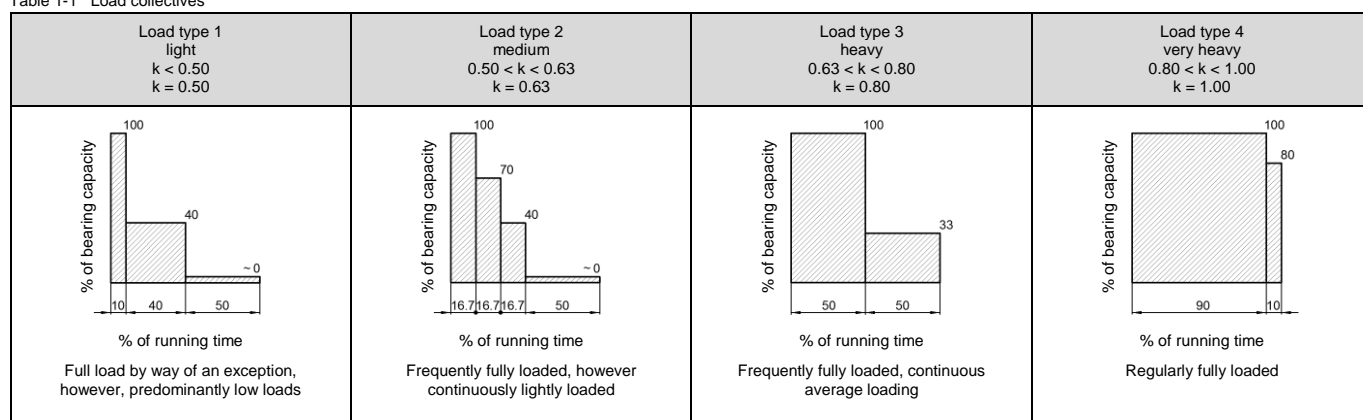
5 Appendix

5.1 Technical data

Table 0-2 EHF/EMFE technical data

ISO (FEM) classification	M3 (1Bm) 150 S/h 25% ED	M4 (1Am) 180 S/h 30% ED	M5 (2m) 240 S/h 40% ED	M6 (3m) 300 S/h 50% ED	M7 (4m) 360 S/h 60% ED	Travelling speed	Motor power (M3)	3 x 400V 50Hz (M3)	Torque	Dead weight	Connection fuse with hoist
Types	Capacity [kg]					[m/min]	[kW]	[A]	[Nm]	[kg]	[A]
EHF 50	1'000	800	630	630	500	-	-	-	130	7.5	-
EMFE 50/N	1'000	800	630	630	500	12	0.25	0.8	to	27	10
EMFE 50/NF	1'000	800	630	630	500	12/4	0.15/0.045	0.65/0.75	to	27	10
EMFE 50/SF	800	800	630	630	500	20/6	0.15/0.045	0.65/0.75	150	27	10
EHF 150	2'000	2'000	1'600	1'600	1'250	-	-	-	320	13.5	-
EMFE 150/N	2'000	2'000	1'600	1'600	1'250	12	0.25	0.8	320	31	10
EMFE 150/NF	2'000	2'000	1'600	1'600	1'250	12/4	0.15/0.045	0.65/0.75	to	31	10
EMFE 150/SF	1'600	1'600	1'600	1'600	1'250	20/6	0.15/0.045	0.65/0.75	540	31	10
EHF 300	4'000	4'000	3'200	2'500	2'500	-	-	-	430	27.5	-
EMFE 300/N	4'000	4'000	3'200	2'500	2'500	12	0.25	0.8	430	50	16
EMFE 300/NF	4'000	4'000	3'200	2'500	2'500	12/4	0.15/0.045	0.65/0.75	to	50	16
EMFE 300/SF	3'200	3'200	3'200	2'500	2'500	20/6	0.15/0.045	0.65/0.75	500	50	16
EHF 500	5'000	4'000	3'200	3'200	2'500	-	-	-	430	27.5	-
EMFE 500/N	5'000	4'000	3'200	3'200	2'500	12	2x0.25	2x0.8	430	57	16
EMFE 500/NF	5'000	4'000	3'200	3'200	2'500	12/4	2x0.15/0.045	2x0.65/0.75	to	57	16
EMFE 500/SF	4'000	4'000	3'200	3'200	2'500	20/6	2x0.15/0.045	2x0.65/0.75	500	57	16

Table 1-1 Load collectives



k = Load collective (type of load)

Table 0-1 Sound level

Types	Measuring distance	1 m	2 m	4 m	8 m	16 m
	Measurement	dBA				
EMFE 50/150/300	a)	75	72	69	66	63
	b)	75	69	63	57	51
EMFE 500	a)	75	72	69	66	63
	b)	75	69	63	57	51

Table 4-1 Annual service life

Utilization per day [h]	≤ 0.25 (0.16)	≤ 0.50 (0.32)	≤ 1.0 (0.64)	≤ 2.0 (1.28)	≤ 4.0 (2.56)	≤ 8.0 (5.12)	≤ 16.0 (10.24)	> 16.0 (20.48)
Load collective	Annual service life [h]							
k = 0.50	6	12	24	48	96	192	384	768
k = 0.63	12	24	48	96	192	384	768	1536
k = 0.80	24	48	96	192	384	768	1536	3072
k = 1.00	48	96	192	384	768	1536	3072	6144

Table 1-2 Operating conditions

ISO Group according to ISO 4301-1	M3	M4	M5	M6	M7
Load collective	Average running time per working day [h]				
1 - light $k < 0.50$	up to 2	2 - 4	4 - 8	8 - 16	over 16
2 - medium $0.50 < k < 0.63$	up to 1	1 - 2	2 - 4	4 - 8	8 - 16
3 - heavy $0.63 < k < 0.80$	up to 0.5	0.5 - 1	1 - 2	2 - 4	4 - 8
4 - very heavy $0.80 < k < 1.00$	up to 0.25	up to 0.5	0.5 - 1	1 - 2	2 - 4

Table 4-2 General overhaul

Components of EHF and EMFE models all types	Check for wear *	Replace
Brake	x	
Motor shaft	x	
Gear teeth		x
Antifriction bearing		x
Washers		x
Spindle	x	
Wheel flanges	x	
Contactors	x	

* replace when worn

Table 3-1 Maintenance overview

Term	t	3 M	12 M	Activity	Notes
1. Travel trolley	X			excess noise check seal check	
2. Power supply cable	X			visual check	
3. Seal		X		visual check	
4. Cable discharging device control cable	X			visual check	

Table 3-2 Service overview

Term	t	3 M	12 M	Activity	Notes
1. Brake system	X		X	function check with load	
2. Electrical fittings			X	function check	
3. Spindle			X	check for cracks check screw movement	
4. Gearing			X	visual check for abrasion	see chapter 3.2.3

Figure 0-1

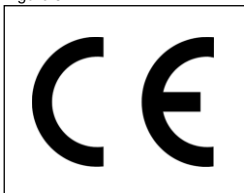


Figure 0-2

Fabr. Nr./Ser.No.
 Bauart/Type
 V Hz Steuerung v IP
 kW A
 m/min
GIS AG | Swiss Lifting Solutions | Luzernerstrasse 50 | CH-6247 Schötz

Figure 0-3

Motorfahwerk
 Electric travel trolley
 ISO 4301/1 Gruppe
 Last/Load t
 ED/Duty %, S/h
 Baujahr/Year
GIS AG | Swiss Lifting Solutions | Luzernerstrasse 50 | CH-6247 Schötz

Figure 1-2

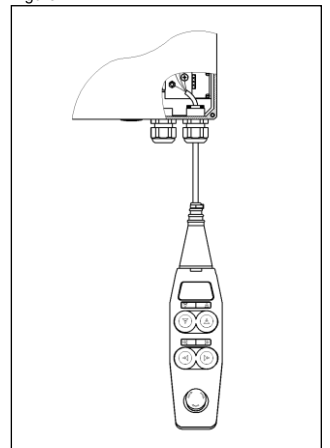


Figure 1-1

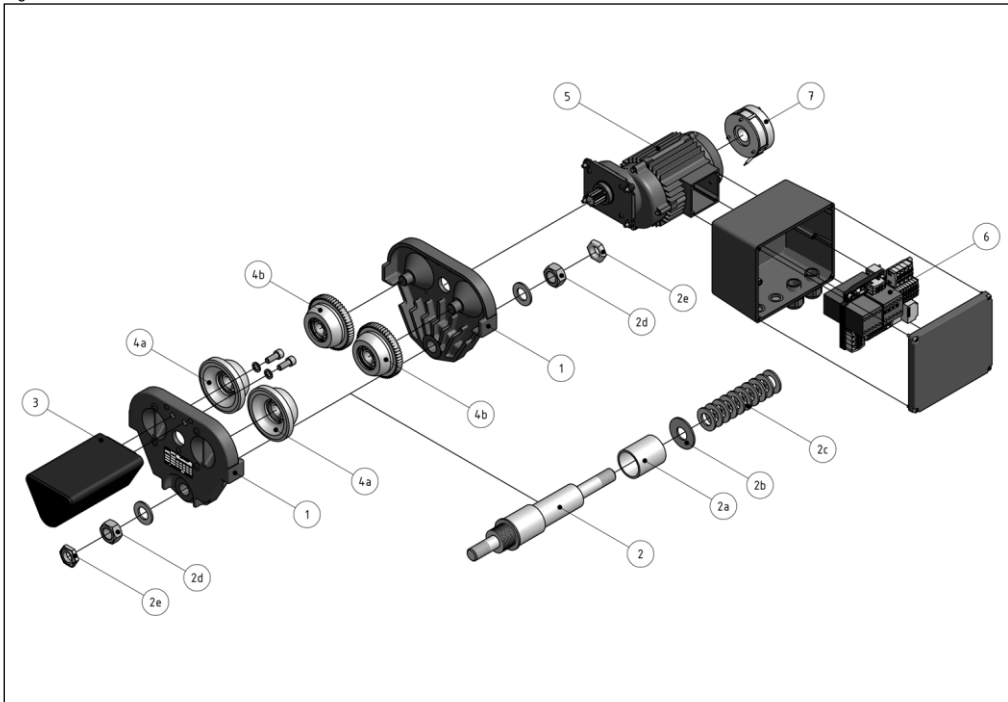
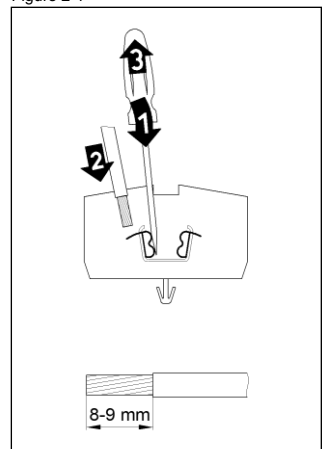


Figure 2-1





EC DECLARATION OF CONFORMITY

Declaration for a machinery according to the EU directives 2006/42/EC, Annex II A, 2014/30/EU, Annex I and 2014/35/EU, Annex III

Hereby we,

GIS AG, Swiss Lifting Solutions, Luzernerstrasse 50, CH-6247 Schötz

declare that the machinery



**GIS travel trolley, series
with a load capacity of**

**EHF, EMFE
500 kg - 5000 kg**

developed for manual and electrical travelling of loads, is, in standard production and from the 1994 model year, inclusive of load control, meets the essential requirements of the following EC directives, as applicable to the scope of the delivery:

EC Machinery Directive	2006/42/EC
EC Directive on Electromagnetic Compatibility	2014/30/EU
EC Low Voltage Directive	2014/35/EU

Harmonized standards applied:

ISO 2374	Lifting appliances; Range of maximum capacities for basic models
DIN EN ISO 13849-1	Safety-related parts of control systems; Part 1: General principles for design
DIN EN 14492-2	Cranes, power driven winches and hoists; Part 2: Power driven hoists
DIN EN 60204-32	Electrical equipment of machines; Part 32: Requirements for hoisting machines

Standards and technical specifications applied:

FEM 9.751	Power driven series hoist mechanisms; Safety
FEM 9.755	Measure for achieving safe working periods

Authorized to compile relevant technical documentation:

GIS AG, Luzernerstrasse 50, CH-6247 Schötz

Schötz, 20.07.2016

GIS AG

I. Muri
Director

E. Widmer
Sales Manager

The completion, installation and start-up as per instruction manual is documented in the log book.



EC DECLARATION OF INCORPORATION

Declaration for the incorporation of a partly completed machinery according to the EU directives 2006/42/EC, Annex II B, 2014/30/EU, Annex I and 2014/35/EU, Annex III

Hereby we,

GIS AG, Swiss Lifting Solutions, Luzernerstrasse 50, CH-6247 Schötz

declare that the partly completed machinery



**GIS travel trolley, series
with a load capacity of**

**EHF, EMFE
500 kg - 5000 kg**

developed for manual and electrical travelling of loads, is, in standard production and from the 1994 model year, inclusive of load control, intended for installation in machinery and meets the essential requirements of the following EC directives, as applicable to the scope of the delivery:

EC Machinery Directive	2006/42/EC
EC Directive on Electromagnetic Compatibility	2014/30/EU
EC Low Voltage Directive	2014/35/EU

We also declare that the technical documentation has been compiled in accordance with Annex VII, Part B of Directive 2006/42/EC. We undertake to submit the specific documents relating to the travelling mechanism to national authorities on receipt of a reasonable request. The information will be supplied by electronic means.

Harmonized standards applied:

ISO 2374	Lifting appliances; Range of maximum capacities for basic models
DIN EN ISO 13849-1	Safety-related parts of control systems; Part 1: General principles for design
DIN EN 14492-2	Cranes, power driven winches and hoists; Part 2: Power driven hoists
DIN EN 60204-32	Electrical equipment of machines; Part 32: Requirements for hoisting machines

Standards and technical specifications applied:

FEM 9.751	Power driven series hoist mechanisms; Safety
FEM 9.755	Measure for achieving safe working periods

This declaration only refers to the travelling mechanism. A start up is prohibited until its proven that the complete system where the travelling mechanism is built in corresponds with the above EC directives.

Authorized to compile relevant technical documentation:

GIS AG, Luzernerstrasse 50, CH-6247 Schötz

Schötz, 20.07.2016

GIS AG

I. Muri
Director

E. Widmer
Sales Manager

The completion, installation and start-up as per instruction manual is documented in the log book.