

## LP & LG BGV C1 ENTERTAINMENT CHAIN HOISTS



### THE REGULATIONS

High integrity Hoists prepared for incorporation into BGV C1 hoisting systems. This refers to a German safety regulation for moving loads above people without using a secondary safety component

#### These hoists allow the following

(when people are present below the load):  
 Assembly/ disassembly in set up  
 Load holding when loads are static i.e. when the load is in a fixed position  
 Staging processes involving movement

### BGV C1 REQUIRES

- » Factor of Safety - 10:1. The lifting capacity is de-rated
- » 2 separate brakes
- » 4 position limit switches - limit switches & emergency limit switches
- » Shutdown at 120% of rated load (using loadcell)
- » Underload monitoring - (using loadcell)
- » Hoists to this regulation are tested and approved by TUV offices in Germany and relevant certification issued.
- » BGV C1 systems have to be approved on site by an approved theatrical engineer when integration tests are carried out.

### BGV C1 HOISTS FEATURE:

- » Modern, quiet, reliable and proven design, manufacture and assembly mean long life and competitive pricing
- » Lifting capacities from 400 to 1000kg on one chain fall
- » Upper/lower geared electrical limit switches plus emergency switches
- » Hoists can be used upright - motor up or climbing - motor down applications
- » The hoist is black, chain is black or zinc plated
- » Eye or hook suspension with load sensor, output signal 0-10V
- » Integration of PLC controller possible, control systems monitor the special features and in the event of any of the safety features being breached- overload, slack chain or emergency limit the entire lifting system shuts down
- » Control systems operate with single or variable speeds, using encoders which can monitor the position of hoists and load

### FEATURES - NEW LP/LPM HOIST RANGE

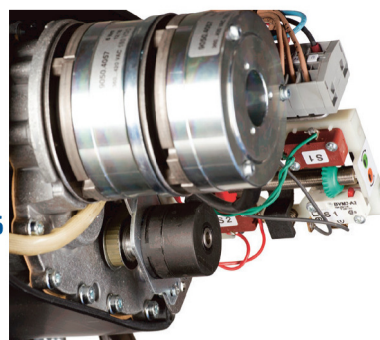
- » Designed for a higher lifting capacity, this also gives higher duty and longer lifetime hours
- » NEW Profile (square) steel lifting chain carries heavier loads with low wear and black phosphate protection
- » IP65 Protection class
- » Polygon connections on shafts and hubs - easier maintenance
- » Aluminium body - black electrophoretic coated
- » Simple, reliable, easy to use and maintain

### OPTIONAL EXTRAS

- » Incremental or absolute encoder on the chain wheel for path measurement
- » Temperature monitoring
- » Locking hooks

**Note** - We can build hoists with features to your requirements and to operate with your control system. We can also supply hoists without control equipment

### ENCODERS FOR POSITIONAL INFO



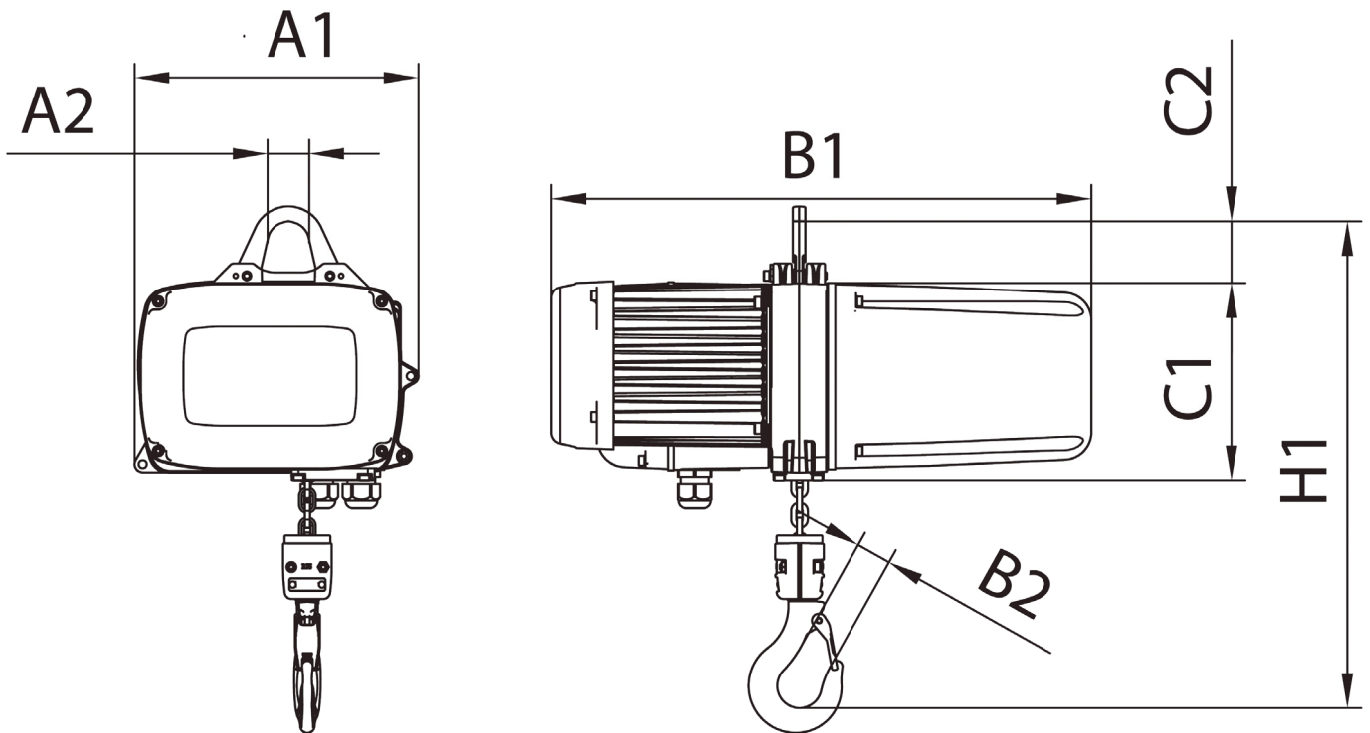
### LOAD SENSOR



## LP & LG BGV C1 ENTERTAINMENT CHAIN HOISTS

### SPECIFICATIONS

Hoist type	Maximum lifting Capacity	Nominal lifting speed	No. of chain falls	Motor power	Power consumption with load	Chain dimensions	Sound pressure level in hall at 1m distance	Protection class	Weight hoist only	Weight per metre lift
	(kg)	(m/min)		(kW)	(A)	(mm)	dB		(kg)	(kg)
LP500/1NL. C1	400	4	1	0.55	1.8	5.25 x 15	65	IP65	24	0.69
LP500/1N. C1	400	8	1	0.72	2.8	5.25 x 15	65	IP65	24	0.69
LP1000/1NL. C1	1000	4	1	1.5	3.6	7.45 x 23	75	IP65	47	1.37
LP1000/1N. C1	1000	8	1	2.3	6.5	7.45 x 23	75	IP65	51	1.37
LCH1600/1NL. C1	800	4	1	0.61	4.5	9 x 27	75	IP55	60	1.75
LCH1600/1N. C1	800	8	1	1.22	6.8	9 x 27	75	IP55	60	1.75
LCH2000/1NL. C1	1000	4	1	0.76	4.8	10 x 28	75	IP55	60	2.25
LCH2000/1N. C1	1000	8	1	1.53	7.3	10 x 28	75	IP55	60	2.25



Dimensions of 2 fall hoists on demand  
Drawings available on request

### DIMENSIONS

Type	Number of falls	A1	A2	B1	B2	C1	C2	H1
LP500 / C1	1	293	ø40	414	24	95	94	480
LP1000 / C1	1	324	ø52	465	32	214	121	563
LCH1600 / C1	1	366	ø70	485	37	230	146	648
LCH2500 / C1	1	366	ø70	485	37	230	146	648