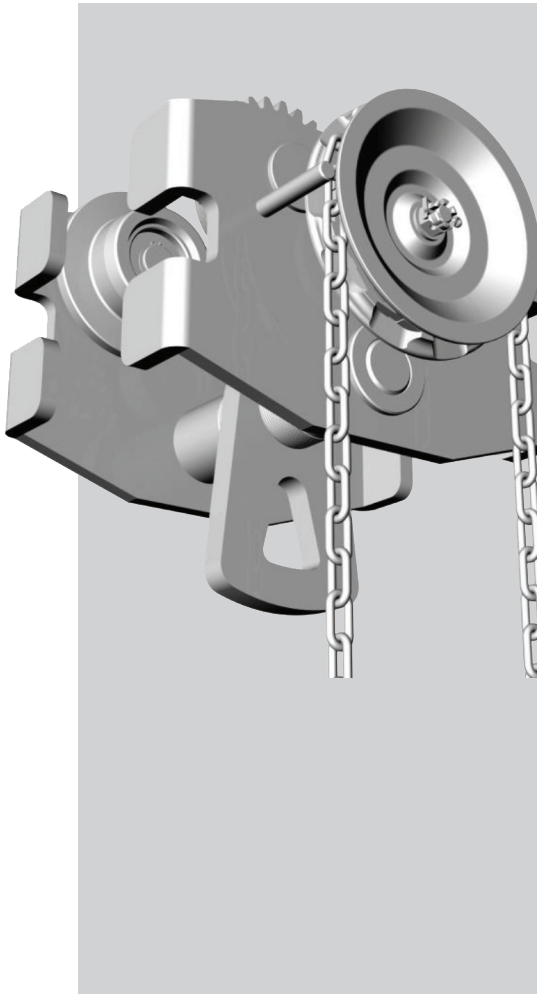


PLANETA STAINLESS STEEL GEARED TROLLEY



The Planeta Stainless Steel Geared Trolley is suitable for lifting applications in food or pharmaceutical production or when operating in environmentally controlled, harsh corrosive processing environments or for use in the Water Industry or marine applications

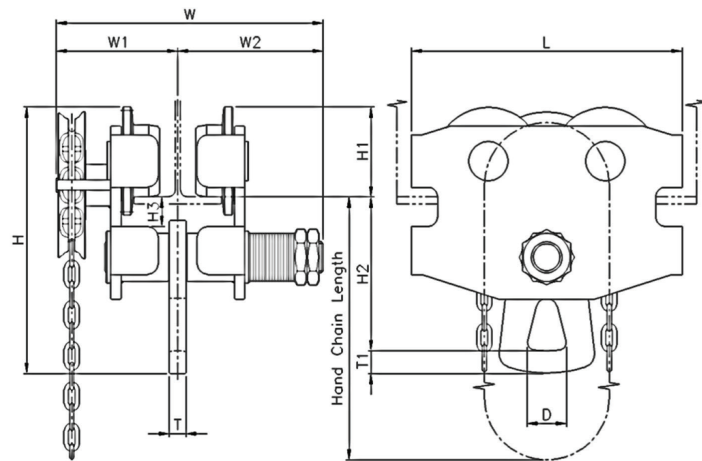
The range is available from 0.5t – 3t lifting capacity

FEATURES

- » Electrolytic polish finish
- » Plate and Roller : Stainless Steel 304
- » Hand chain : Stainless Steel 316
- » Trolley supplied with 2.5m hand chain, other heights on request

Options

- » This product can be customized according to beam specification



SPECIFICATIONS

MODEL	PL/PRGT/0.5	PL/PRGT/1.0	PL/PRGT/2.0	PL/PRGT/3.0
Capacity (t)	0.5	1	2	3
Min. distance (mm)	120.5	147	176	177
Min. radius curve (mm)	1200	1300	1500	1600
Beam Flange Width (mm)	64 ~ 125	74 ~ 125	100 ~ 150	100 ~ 150
Net Weight (kg)	19.8	27.3	35.8	45.7

DIMENSIONS

MODEL	H	H1	H2 (MIN)	H3	L	W	W1	W2	D	T	T1
PL/PRGT/0.5	227	88.5	120.5	23.5	250	267	152	115	30	10	18
PL/PRGT/1.0	286.5	113.5	147	28	280	281.5	159	122.5	44	16	26
PL/PRGT/2.0	305	103	176	27	310	305.5	164.5	141	45	19	26
PL/PRGT/3.0	327	124	177	28	350	324	165.5	158.5	45	19	26

COMPANY CONTACT DETAILS

LTM - Lift Turn Move Ltd
 Unit 2 Stadium Court
 Wirral International Business Park
 Plantation Road, Bromborough
 Wirral, UK CH62 3QG

SALES AND GENERAL CONTACTS

Tel: +44 (0)151 649 0467
 Fax: +44 (0)151 649 0099
 Email: sales@LiftTurnMove.co.uk
 Email: accounts@LiftTurnMove.co.uk
 Website: www.liftturnmove.co.uk

OPENING HOURS

Mon-Thur: 8:30 - 5:00
 Friday: 8:30 - 2:30

The office is often open outside these times.

DELIVERIES

We use various methods of delivery and can deliver more or less whenever you need.

To stay up to date with the latest events at LTM please follow us on Facebook, Twitter and LinkedIn



liftturnmove



@LiftTurnMove



@Lift Turn Move Ltd