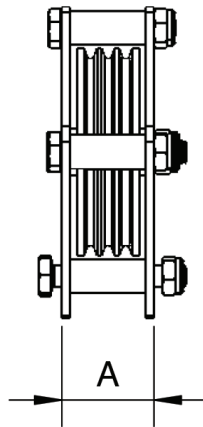
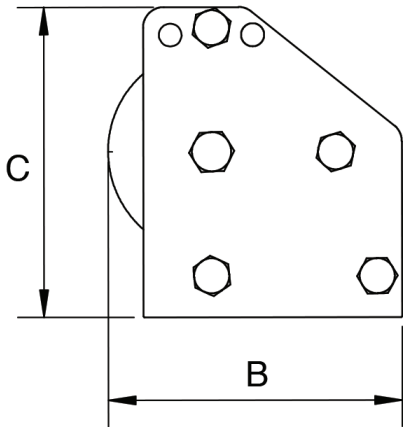
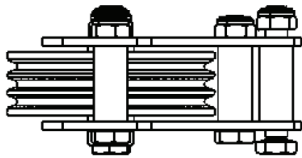
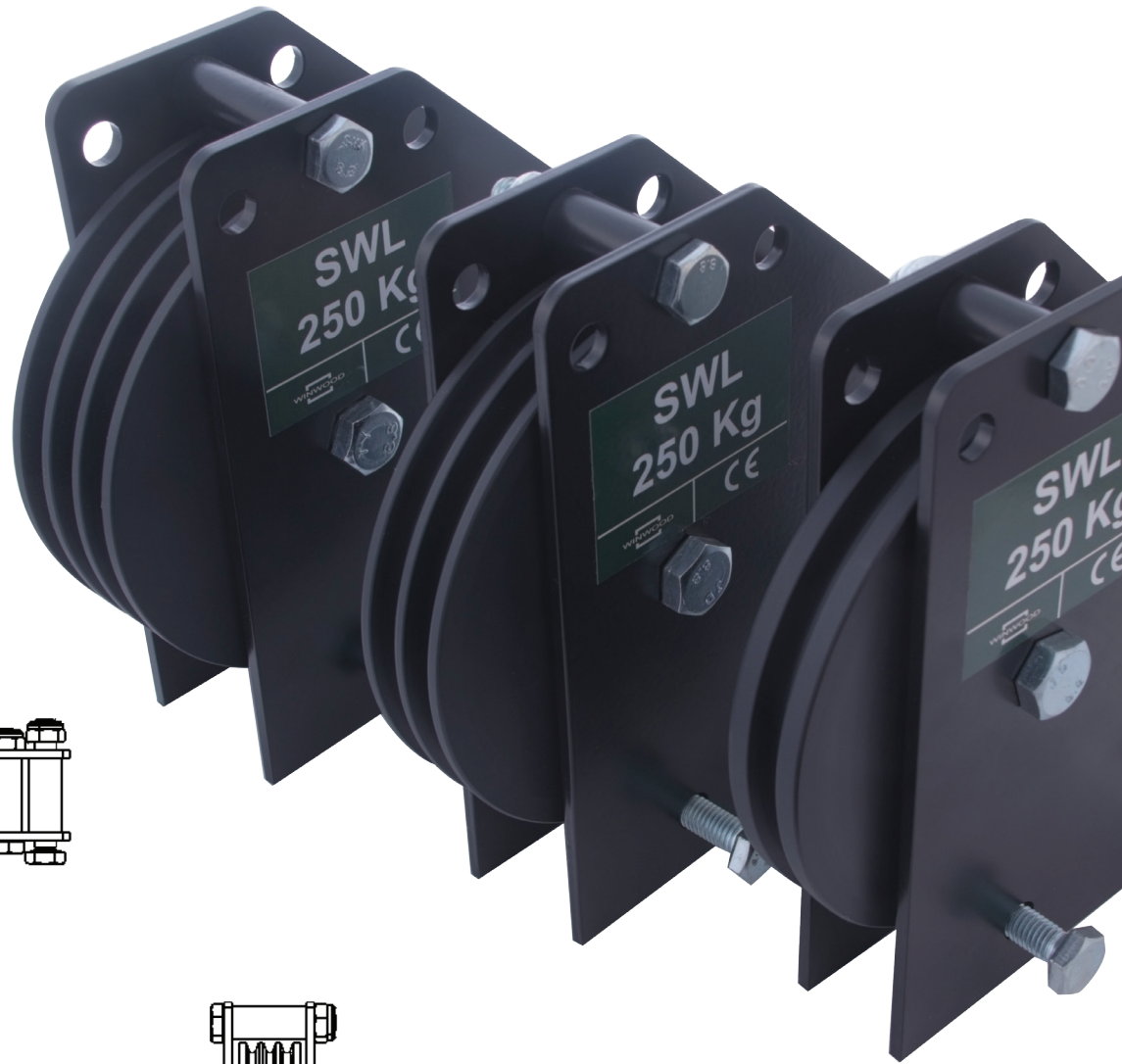


# PULLEYS FOR PILE WIND WINCHES

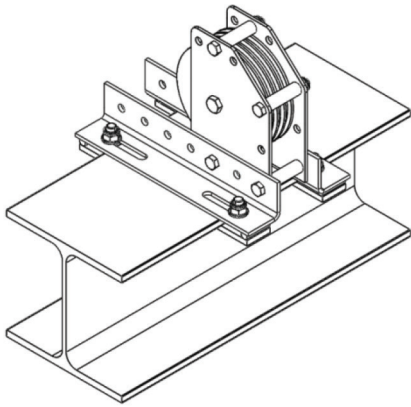


- » Standard pulley range for 1-6 ropes
- » Designed for machinery systems in theatres, schools etc
- » Suitable for manual or motorised systems
- » Smooth operation assured by two ball bearings
- » Pulley wheels in black polyamide material with steel frame
- » Lifting capacity 125 and 250kg
- » Pulleys available on request for lifting capacity 500kg and 1000kg
- » Standard & custom mounting brackets available

## SPECIFICATION & DIMENSIONS

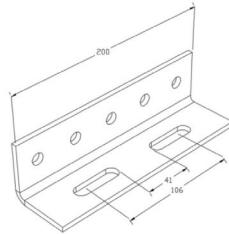
TYPE	NO OF LINES	RATED LIFTING CAPACITY	MAX STEEL WIRE ROPE DIAMETER	A	B	C	WEIGHT
		(kg)	(mm)	(mm)	(mm)	(mm)	(kg)
PU-100-1	1	125	4	36	142	150	1.8
PU-100-2	2	125	4	36	142	150	1.8
PU-100-3	3	125	4	44.5	142	150	1.8
PU-100-4	4	125	4	53	142	150	2.0
PU-100-5	5	125	4	61.5	142	150	2.0
PU-100-6	6	125	4	70	142	150	2.0
PU-150-1	1	250	6	36	167	200	2.3
PU-150-2	2	250	6	42	167	200	2.3
PU-150-3	3	250	6	54	167	200	2.7
PU-150-4	4	250	6	66	167	200	2.7
PU-150-5	5	250	6	78	167	200	3.1
PU-150-6	6	250	6	90	167	200	3.1

# PULLEY FIXINGS

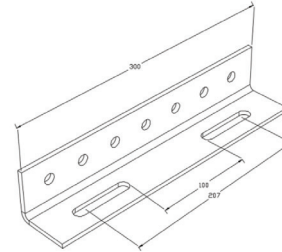


## PULLEY ADAPTORS FOR PU-100 AND PU-150.

Pair of universal brackets designed for pulley fixing on steel girder - flange width 41-207mm. Exact distance of fixing holes on request - just specify dimensions A and B. No requirement to drill a beam. Position of the pulley can be adjusted and fixed securely with set of PUFNUT-0 or PUFNUT-1\_6. Several standard or custom solutions available.

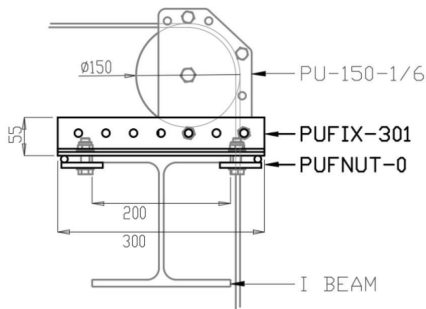


**PUFIX-201**

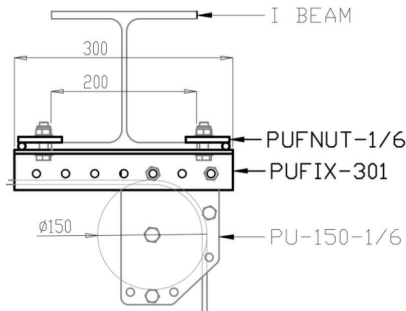


**PUFIX-301**

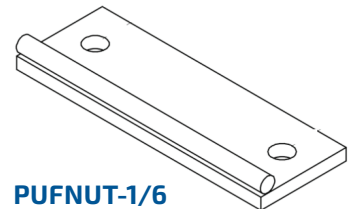
FIXING TYPE	SAFE WORKING LOAD	MINIMUM BEAM FLANGE DISTANCE	MAXIMUM BEAM FLANGE DISTANCE	OVERALL LENGTH
PUFIX-201	250kg	41mm	106mm	200mm
PUFIX-301	250kg	100mm	207mm	300mm



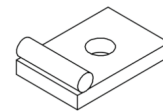
**PULLEY FIXING ABOVE THE BEAM**



**PULLEY FIXING BELOW THE BEAM**

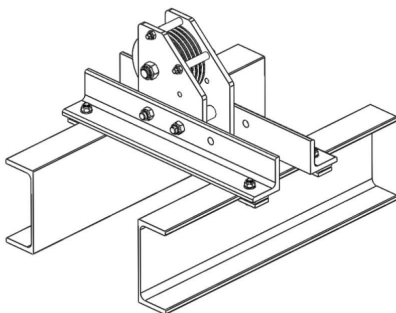


**PUFNUT-1/6**



**PUFNUT-0**

FIXING TYPE	SAFE WORKING LOAD	PULLEY WIDTH (MUST SPECIFY AT TIME OF ORDER)	OVERALL WIDTH	PULLEY POSITION USE
PUNUT-0 (set of 4)	250kg	N/A	40mm	Pulley Above Beam Only
PUNUT-1/6 (set of 2)	250kg	101-155mm	146-200mm	Pulley Above or below



## CUSTOM ADAPTORS.

Heavy duty 500kg and 1000kg custom fixing brackets available on request for head pulleys PU-150-500 and PU-150-1000.

### COMPANY CONTACT DETAILS

**LTM - Lift Turn Move Ltd**  
Unit 2 Stadium Court  
Wirral International Business Park  
Plantation Road, Bromborough  
Wirral, UK CH62 3QG

### SALES AND GENERAL CONTACTS

Tel: +44 (0)151 649 0467  
Fax: +44 (0)151 649 0099  
Email: sales@LiftTurnMove.co.uk  
Email: accounts@LiftTurnMove.co.uk  
Website: www.liftturnmove.co.uk

### OPENING HOURS

Mon-Thur: 8:30 - 5:00  
Friday: 8:30 - 2:30

The office is often open outside these times.

### DELIVERIES

We use various methods of delivery and can deliver more or less whenever you need.

To stay up to date with the latest events at LTM please follow us on Facebook, Twitter and LinkedIn



liftturnmove



@LiftTurnMove



@Lift Turn Move Ltd