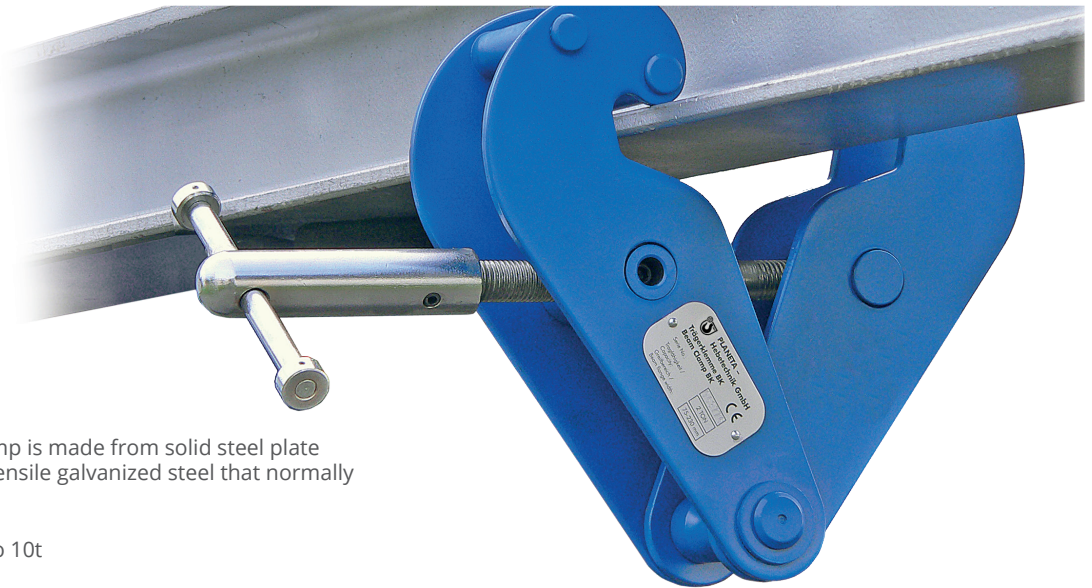


PLANETA BEAM CLAMP TYPE BK

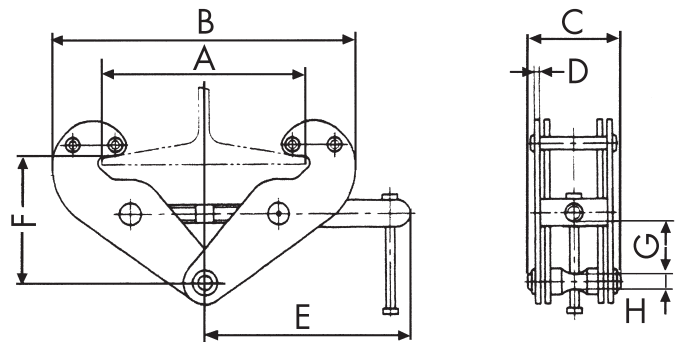


The frame of the Beam Clamp is made from solid steel plate and the spindle from high tensile galvanized steel that normally forgives strong tightening.

Range is available from 1t to 10t

FEATURES

- » Simple and safe load attachment tool for hand or electric hoists
- » Easy two-step operation makes it ideal for urgent tasks and assembly jobs
- » Can also be used for the lifting and transfer of steel beams and as a pulling clamp
- » Suitable for attachment to horizontal beams or beams up to 5 degrees from horizontal
- » Fits a wide range of beam widths
- » Easily fixed using threaded handle



BEAM CLAMP - SPECIFICATION & DIMENSION TABLE

TYPE	PL/BK	PL/BK/1.0T	PL/BK/2.0T	PL/BK/3.0T	PL/BK/5.0T	PL/BK/10.0T
CAPACITY t	t	1.0	2.0	3.0	5.0	10.0
Grip range A min.	mm	75	75	80	90	90
Grip range A max.	mm	230	230	320	320	320
B min.	mm	180	180	220	220	250
B max.	mm	375	375	498	498	514
C	mm	80	90	117	127	139
D	mm	5	5	8	10	16
E	mm	220	220	271	271	280
F min.	mm	102	102	168	168	172
F max.	mm	160	160	240	240	242
G min.	mm	29	28	60	57	55
H	mm	20	22	24	30	40
Weight	kg	4	5	9	11	18

COMPANY CONTACT DETAILS

LTM - Lift Turn Move Ltd
Unit 2 Stadium Court
Wirral International Business Park
Plantation Road, Bromborough
Wirral, UK CH62 3QG

SALES AND GENERAL CONTACTS

Tel: +44 (0)151 649 0467
Fax: +44 (0)151 649 0099
Email: sales@LiftTurnMove.co.uk
Email: accounts@LiftTurnMove.co.uk
Website: www.liftturnmove.co.uk

OPENING HOURS

Mon-Thur: 8:30 - 5:00
Friday: 8:30 - 2:30

The office is often open outside these times.

DELIVERIES

We use various methods of delivery and can deliver more or less whenever you need.

To stay up to date with the latest events at LTM please follow us on Facebook, Twitter and LinkedIn



[liftturnmove](https://www.facebook.com/liftturnmove)



[@LiftTurnMove](https://twitter.com/LiftTurnMove)



[@Lift Turn Move Ltd](https://www.linkedin.com/company/liftturnmove)