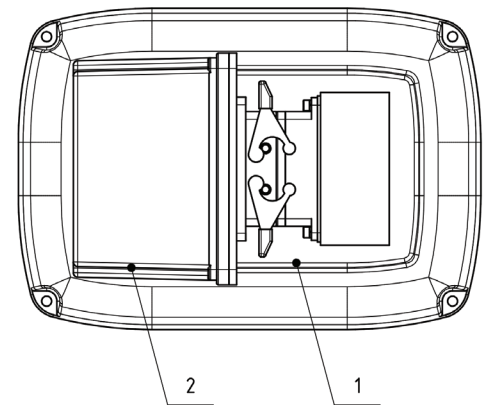
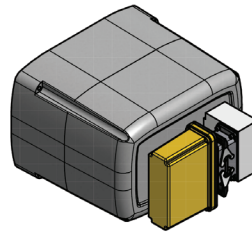


RADIO REMOTE



The LTM Remote Control System is a Radio Control solution, for hoist and electrical travel trolleys, to enable cable free operation of these systems. With a robust shock resistant plastic housing, impact protection and light weight handset.

- » PIN Code to prevent unauthorized use
- » LED indication of the current battery status
- » Audible Warning Signal triggered at low battery condition or if an error occurs
- » Control of various travel or lifting units and tandem operation (synchronous) is possible
- » Control Range 50m
- » Operating Temperature -20 to +55 Degrees Centigrade
- » Auto Switch-off to Save Battery
- » Available with plastic protection
- » Approved according to the SIL3 IEC 61508 and PL e Standard
- » NOTE Not suitable for ATEX applications
- » Receiver with Multi Plug connection to remove and fit wired pendant if necessary
- » Receiver IP rating IP 65, Transmitter (Handset) IP rating IP66



SPECIFICATIONS

PRODUCT CODE	MAXIMUM HOISTS PER HANSDET	HOIST/ TROLLEY TYPE	MAX CONTROL VOLTAGE	TRANSMITTER DIMENSIONS	RECEIVER DIMENSIONS	TRANSMITTER IP RATING	RECEIVER IP RATING	TRANSMITTER WEIGHT	OPERATIONAL MAX RANGE	FREQUENCY RANGE
9511.3044.3	2	GP250/500	42V	160 x 76 x 37mm	332 x 217 x 155mm	66	ILME 27 PIN SQUICH CONNECTOR	0.295kg	50m	433MHz (69 Channels)
9515.3134.3	2	GP10000	42V	160 x 76 x 37mm	332 x 217 x 155mm	66	ILME 27 PIN SQUICH CONNECTOR	0.295kg	50m	433MHz (69 Channels)
9408.3098.3	2	GCH1600-2500	42V	160 x 76 x 37mm	332 x 217 x 155mm	66	ILME 27 PIN SQUICH CONNECTOR	0.295kg	50m	433MHz (69 Channels)
A9247.2035.3	1	EMFE Trolleys	42V	160 x 76 x 37mm	332 x 217 x 155mm	66	ILME 27 PIN SQUICH CONNECTOR	0.295kg	50m	433MHz (69 Channels)

COMPANY CONTACT DETAILS

LTM - Lift Turn Move Ltd
 Unit 2 Stadium Court
 Wirral International Business Park
 Plantation Road, Bromborough
 Wirral, UK CH62 3QG

SALES AND GENERAL CONTACTS

Tel: +44 (0)151 649 0467
 Fax: +44 (0)151 649 0099
 Email: sales@LiftTurnMove.co.uk
 Email: accounts@LiftTurnMove.co.uk
 Website: www.liftturnmove.co.uk

OPENING HOURS

Mon-Thur: 8:30 - 5:00
 Friday: 8:30 - 2:30

The office is often open outside these times.

DELIVERIES

We use various methods of delivery and can deliver more or less whenever you need.

To stay up to date with the latest events at LTM please follow us on Facebook, Twitter and LinkedIn



[liftturnmove](https://www.facebook.com/liftturnmove)



[@LiftTurnMove](https://twitter.com/LiftTurnMove)



[@Lift Turn Move Ltd](https://www.linkedin.com/company/liftturnmove)