

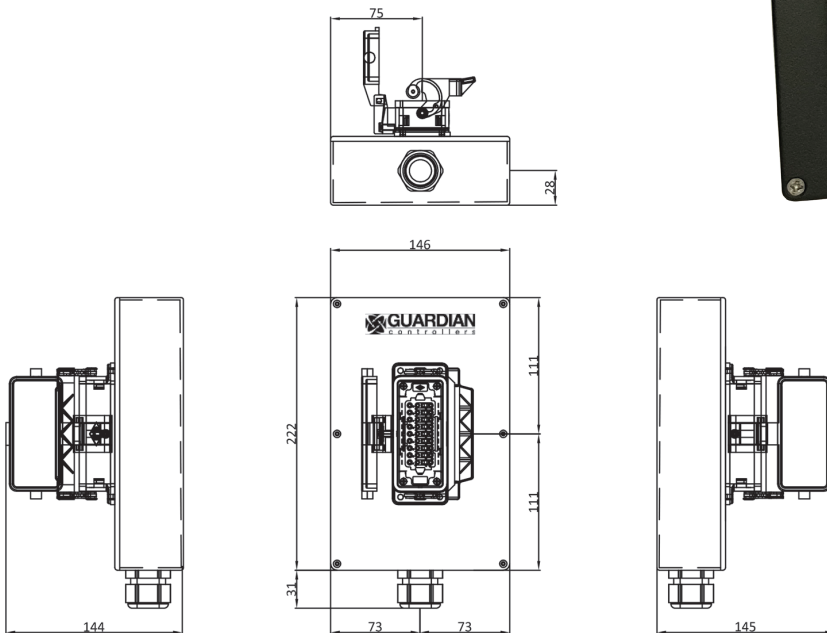
GUARDIAN CONTROL CONNECTION BOX



To compliment our range of Guardian Controller are the Control Box Range. These boxes are designed to provide a local control connection point for the handheld remote handset, away from the main controller setup. This can be particularly useful if space is a premium on stage, or if the controller has to be located in an area that isn't with linesight of the motorised hoists being moved. The box is small and light, with a Robust ILME multipin connector for secure and stable connections, that won't get damaged during normal use.

FEATURES

- » Highly Robust Enclosure Protection Class IP67
- » ILME plug IP65 rated
- » Robust Acrylic Stove Bloack Finish
- » Push Terminal Connection type for quick and easy termination of cables



SPECIFICATIONS

PRODUCT CODE	CONTROL SPECIFICATION TYPE	MAXIMUM TERMINAL CSA	MAX CONTROL VOLTAGE	DIMENSIONS	MAXIMUM HOIST CONTROL	ENCLOSURE IP RATING	PLUG (CONTROL) SPECIFICATION	SOCKET IP RATING	ENCLOSURE FINISH	WEIGHT (KG)
INT/BOX-27PIN	Low Voltage	2.5mm ²	42v	212 x 146 x 56mm	8	67	ILME 27 PIN SQUICH CONNECTOR	65	Black	0.9
INT/BOX-42PIN	Low Voltage	2.5mm ²	42v	212 x 146 x 56mm	12	67	ILME 42 PIN SQUICH CONNECTOR	65	Black	1.1

COMPANY CONTACT DETAILS

LTM - Lift Turn Move Ltd
 Unit 2 Stadium Court
 Wirral International Business Park
 Plantation Road, Bromborough
 Wirral, UK CH62 3QG

SALES AND GENERAL CONTACTS

Tel: +44 (0)151 649 0467
 Fax: +44 (0)151 649 0099
 Email: sales@LiftTurnMove.co.uk
 Email: accounts@LiftTurnMove.co.uk
 Website: www.liftturnmove.co.uk

OPENING HOURS

Mon-Thur: 8:30 - 5:00
 Friday: 8:30 - 2:30

The office is often open outside these times.

DELIVERIES

We use various methods of delivery and can deliver more or less whenever you need.

To stay up to date with the latest events at LTM please follow us on Facebook, Twitter and LinkedIn



[liftturnmove](https://www.facebook.com/liftturnmove)



[@LiftTurnMove](https://twitter.com/LiftTurnMove)



[@Lift Turn Move Ltd](https://www.linkedin.com/company/liftturnmove)