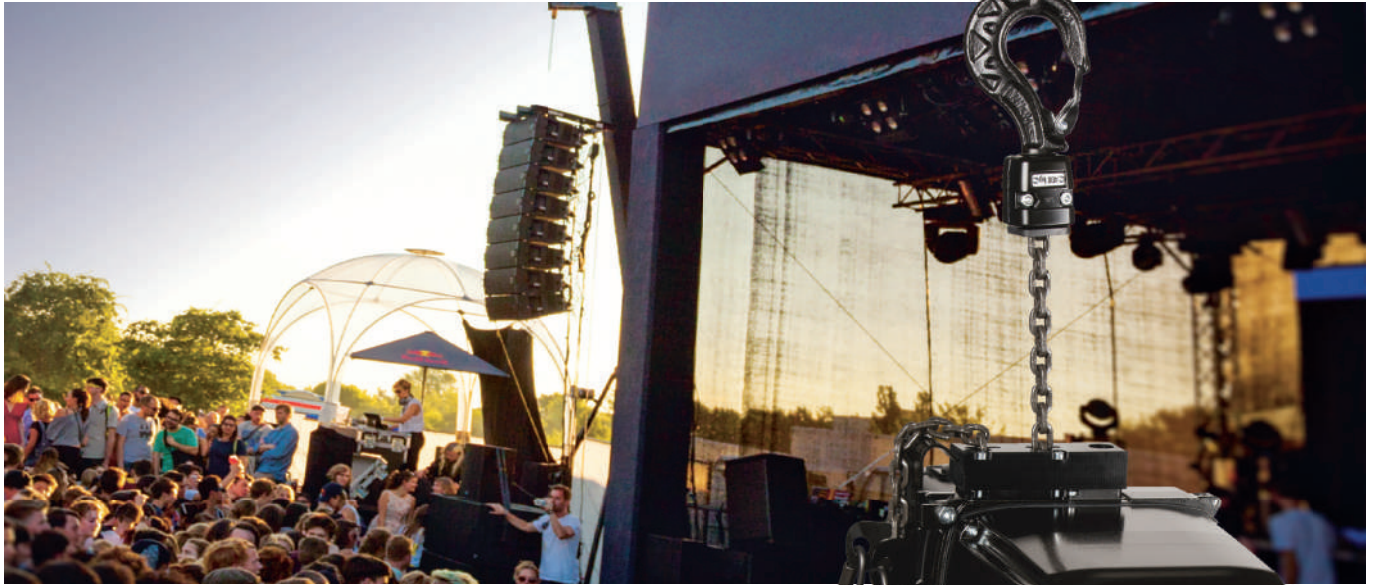


LP D8 ENTERTAINMENT CHAIN HOISTS

FOR GENERAL RIGGING PURPOSES TO D8 GUIDELINES

– MAX LIFTING CAPACITY/SWL 125KG – 2500KG



THE REGULATIONS

Standard hoists that meet current accepted standards and codes of practice for rigging hoists to D8 DGUV54

GENERAL FEATURES

- » Modern, quiet, reliable and proven design, manufacture and assembly mean long life and competitive pricing
- » Lightweight
- » Max Lifting Capacity/SWL from 125kg to 2500kg on 2 fall
- » Direct control or low voltage control
- » Upper/lower geared electrical limit switches
- » Contactor control - (no electronics)
- » Clutch overload device mounted outside the drive train; In the event of clutch problems, the load is not compromised
- » Can be used upright- motor up or climbing - motor down
- » Opening eye body suspension, hook suspension and locking chain hooks on request
- » Available for 400V, 3Ph, or 220V, 1Ph power, others on request

FEATURES - NEW LP/LPM HOIST

- » A new hoist from LTM
- » Designed for a longer life with heavier duty operation, this can give either a higher lifting capacity (LP500= 800kg) or a normal lifting capacity (LP500= 500kg) for higher duty and longer lifetime hours
- » NEW Profile (square) steel lifting chain carries heavier loads with lower wear, black phosphate protection with high corrosion resistance and increased service life
- » IP65 protection class- ideal for outside use, the moisture sensitive components are housed separately
- » Polygon connections on shafts and hubs - easier maintenance
- » 5 pocket load chain wheel gives smooth running and quieter operation
- » Aluminium body - the body is black electrophoretic coated
- » Simple, reliable, easy to use and maintain
- » Lightweight hoists with the smallest model weighing only 12kg



**FOR WHEN YOU NEED TO
LIFT, LOWER, POSITION
OR SUSPEND A LOAD IN
ENTERTAINMENT RIGGING
APPLICATIONS**

OPTIONS

- » Extra features allow the hoist to conform to higher safety standards when ordered or later modified
- » These options include second brake, standard and ultimate limit switches, load sensing suspensions and encoders for positional feedback
- » Hoists for single phase power
- » Locking hooks
- » Flight cases
- » Other features on request, ask our sales team for details
- » Custom cable tails to meet most control systems

LP D8 ENTERTAINMENT CHAIN HOISTS

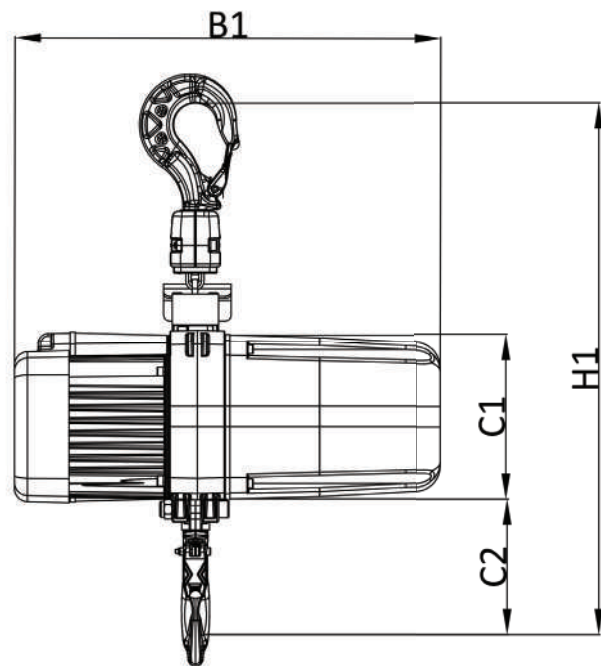
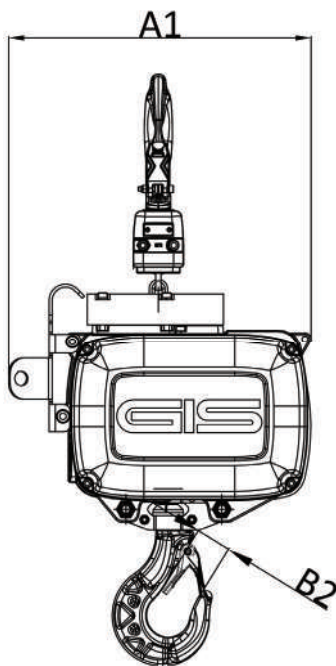
FOR GENERAL RIGGING PURPOSES TO D8 GUIDELINES

– MAX LIFTING CAPACITY/SWL 125KG – 2500KG



SPECIFICATIONS

HOIST TYPE	MAX LIFTING CAPACITY/SWL	NOMINAL LIFTING SPEED	NO. OF CHAIN FALLS	MOTOR POWER	POWER CONSUMPTION LOADED	CHAIN DIMENSIONS	SOUND PRESSURE LEVEL IN HALL AT 1M DISTANCE	CHAIN SAFETY FACTOR	PROTECTION CLASS	WEIGHT HOIST ONLY	WEIGHT PER METRE LIFT
	(kg)	(m/min)		(kW)	(A)	(mm)	dB			(kg)	(kg)
LPM250/1NL. D8	320	4	1	0.25	1.8	3.75 x 10.75	65	6.4	IP65	12	0.34
LPM250/1SL. D8	125	8	1	0.25	1.8	3.75 x 10.75	65	16.1	IP65	12	0.34
LP500/1NL. D8	800	4	1	0.55	1.8	5.25 x 15	65	5.1	IP65	22	0.69
LP500/1N. D8	800	8	1	0.72	2.8	5.25 x 15	65	5.1	IP65	22	0.69
LP500/1NF. D8	800	8/ 2	1	0.72/ 0.18	2.8/ 1.7	5.25 x 15	65	5.1	IP65	22	0.69
LP500/2N. D8	1250	4	2	0.55	1.8	5.25 x 15	65	5.1	IP65	22	1.38
LP500/1NF. D8	1250	8/ 2	2	0.72/ 0.18	2.8/ 1.7	5.25 x 15	65	5.1	IP65	22	1.38
LP1000/1NL.D8	1600	4	1	1.5	3.6	7.45 x 23	75	5.1	IP65	45	1.37
LP1000/1N.D8	1600	8	1	2.3	6.5	7.45 x 23	75	5.1	IP65	49	1.37
LP1000/1NF.D8	1600	8/2	1	2.30/0.68	5.7/4.1	7.45 x 23	75	5.1	IP65	49	1.37



DIMENSIONS

TYPE	NUMBER OF FALLS	A1	B1	B2	C1	C2	H1
LPM250 / D8	1	205	389	20	133	96	394
LP500 / D8	1	293	414	24	160	132	516
LP1000 / D8	1	374	514	28	212	133	619

Dimensions of 2 fall hoists on demand
Drawings available on request

COMPANY CONTACT DETAILS

LTM - Lift Turn Move Ltd
Unit 2 Stadium Court
Wirral International Business Park
Plantation Road, Bromborough
Wirral, UK CH62 3QG

SALES AND GENERAL CONTACTS

Tel: +44 (0)151 649 0467
Fax: +44 (0)151 649 0099
Email: sales@LiftTurnMove.co.uk
Email: accounts@LiftTurnMove.co.uk
Website: www.liftturnmove.co.uk

OPENING HOURS

Mon-Thur: 8:30 - 5:00
Friday: 8:30 - 2:30

The office is often open outside these times.

DELIVERIES

We use various methods of delivery and can deliver more or less whenever you need.

To stay up to date with the latest events at LTM please follow us on Facebook, Twitter and LinkedIn

