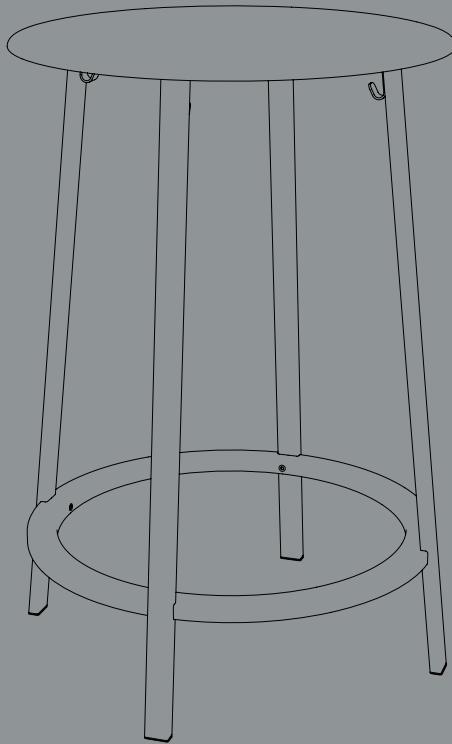


- INSTRUCTION MANUAL -

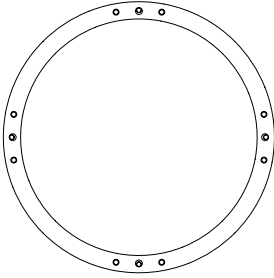
REVOLVER TABLE



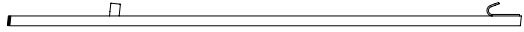
DESIGN BY LEON RANSMEIER

HAY

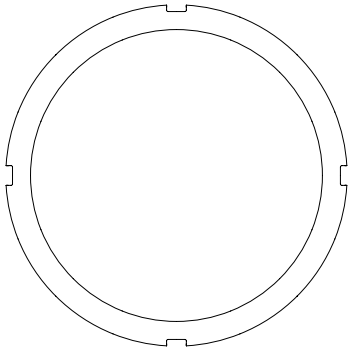
- PARTS -



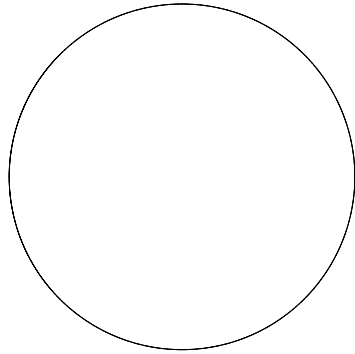
A Top ring x1



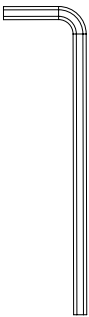
B Leg x4



C Bottom ring x1



D Tabletop x1



E Allen key x1
Large



F Screw x4



G Allen key x1
Small



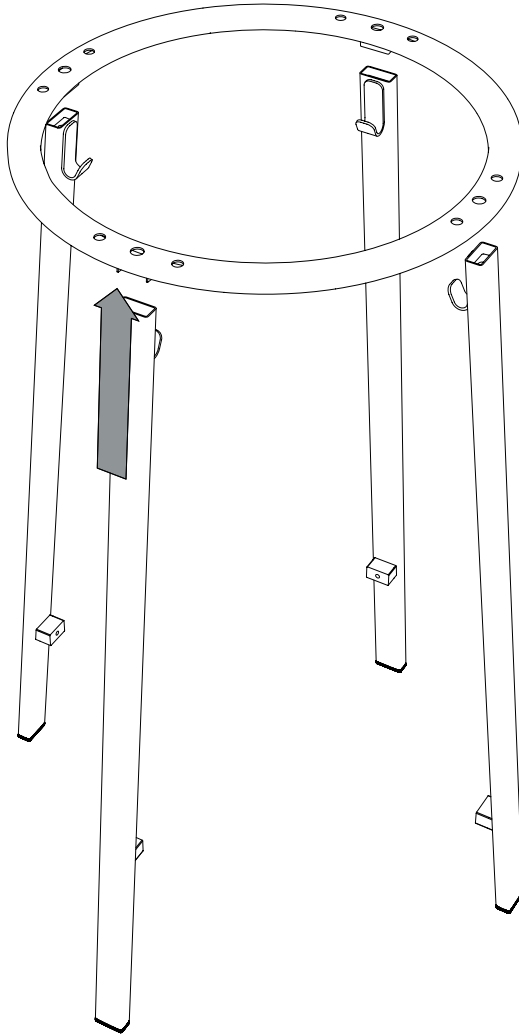
H Screw x4



I Screw x8

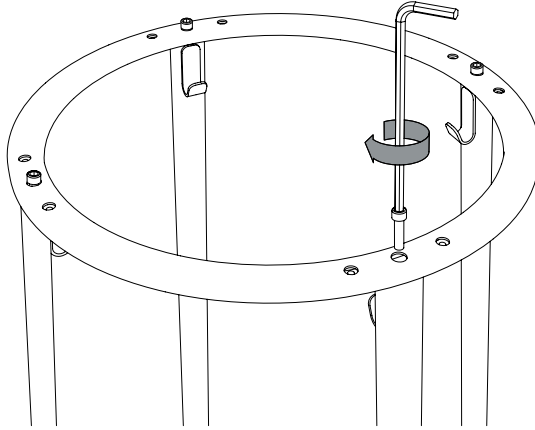
1.

Mount the Legs **B** onto the Top Ring **A**.



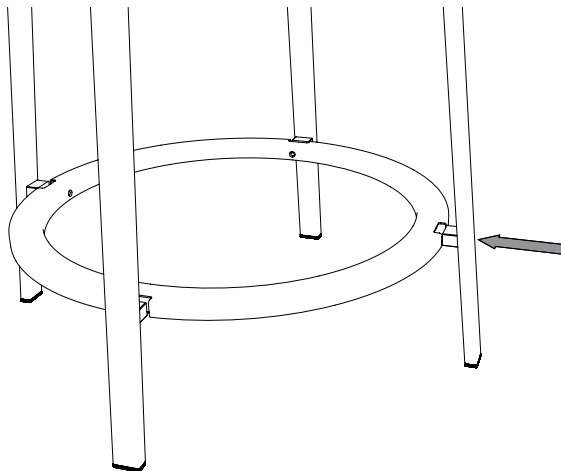
2.

Insert the screws **F** and screw them loosely using the Allen key Large **E** to connect the Top ring **A** to the legs **F**.



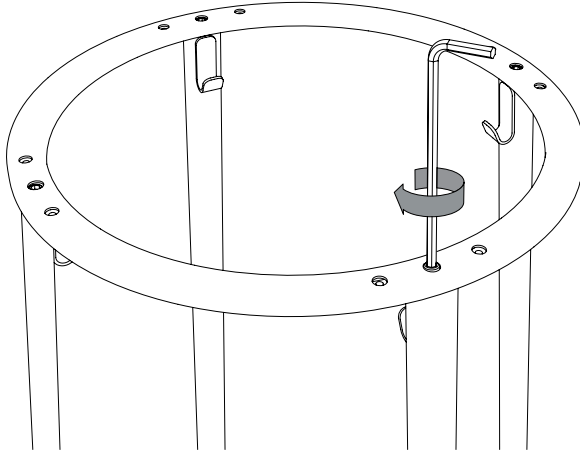
3.

Insert the screws **H** and screw them loosely using the Allen key Small **G** to connect the Bottom ring **C** to the legs **B**.



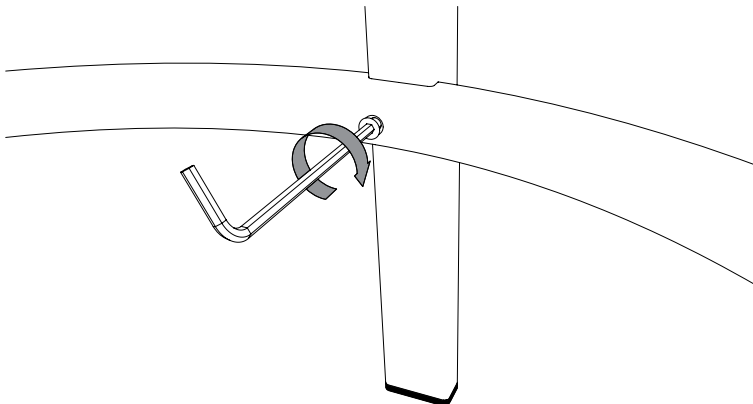
4.

Fully tighten the screws **(F)** using the Allen key Large **(E)** to fix the Top ring **(A)** to the legs **(B)**.



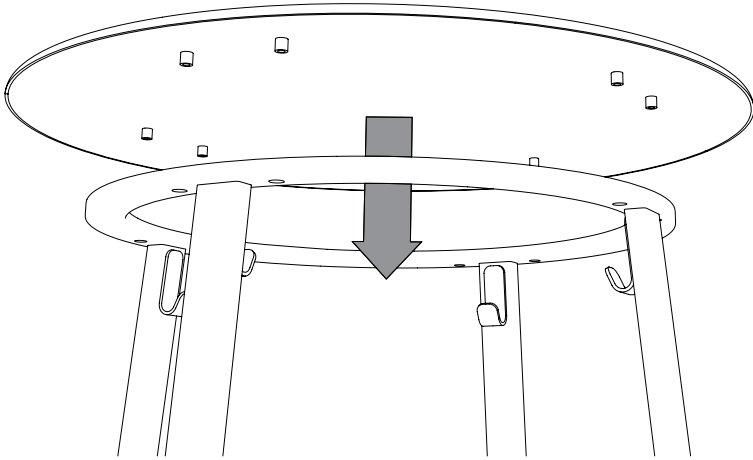
5.

Fully tighten the screws **(H)** using the Allen key Small **(G)** to secure the Bottom ring **(C)** to the legs **(B)**.



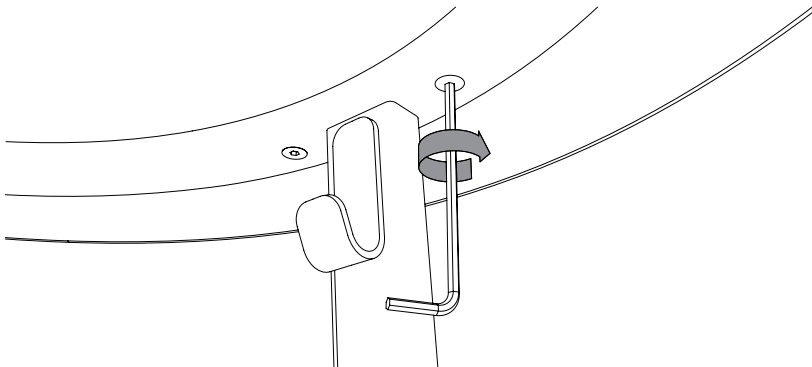
6.

Mount the Tabletop **D** onto the Top ring **A**.



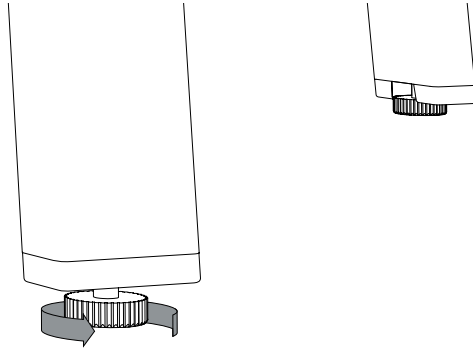
7.

Place all the screws **I** in the holes from underneath to connect the Tabletop **D** to the Top ring **A**. Tighten the screws using the Allen key Small **G**.



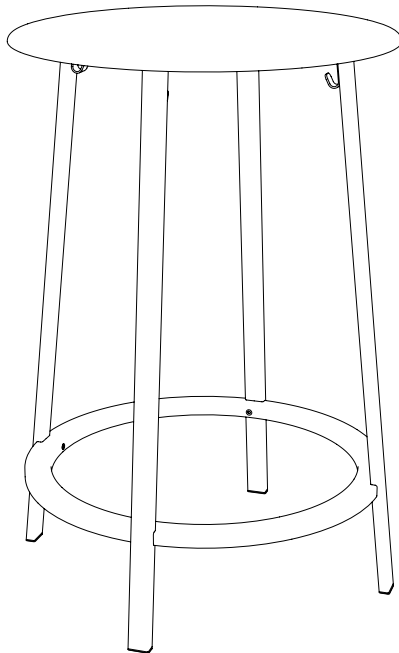
8.

If necessary, adjust the gliders to make the table level.



9.

Done!



- CARE & MAINTENANCE -

Our Care & Maintenance offers guidance for optimal maintenance of your HAY product. It includes advice and instructions on cleaning and caring for specific materials to prolong the life of your furniture.

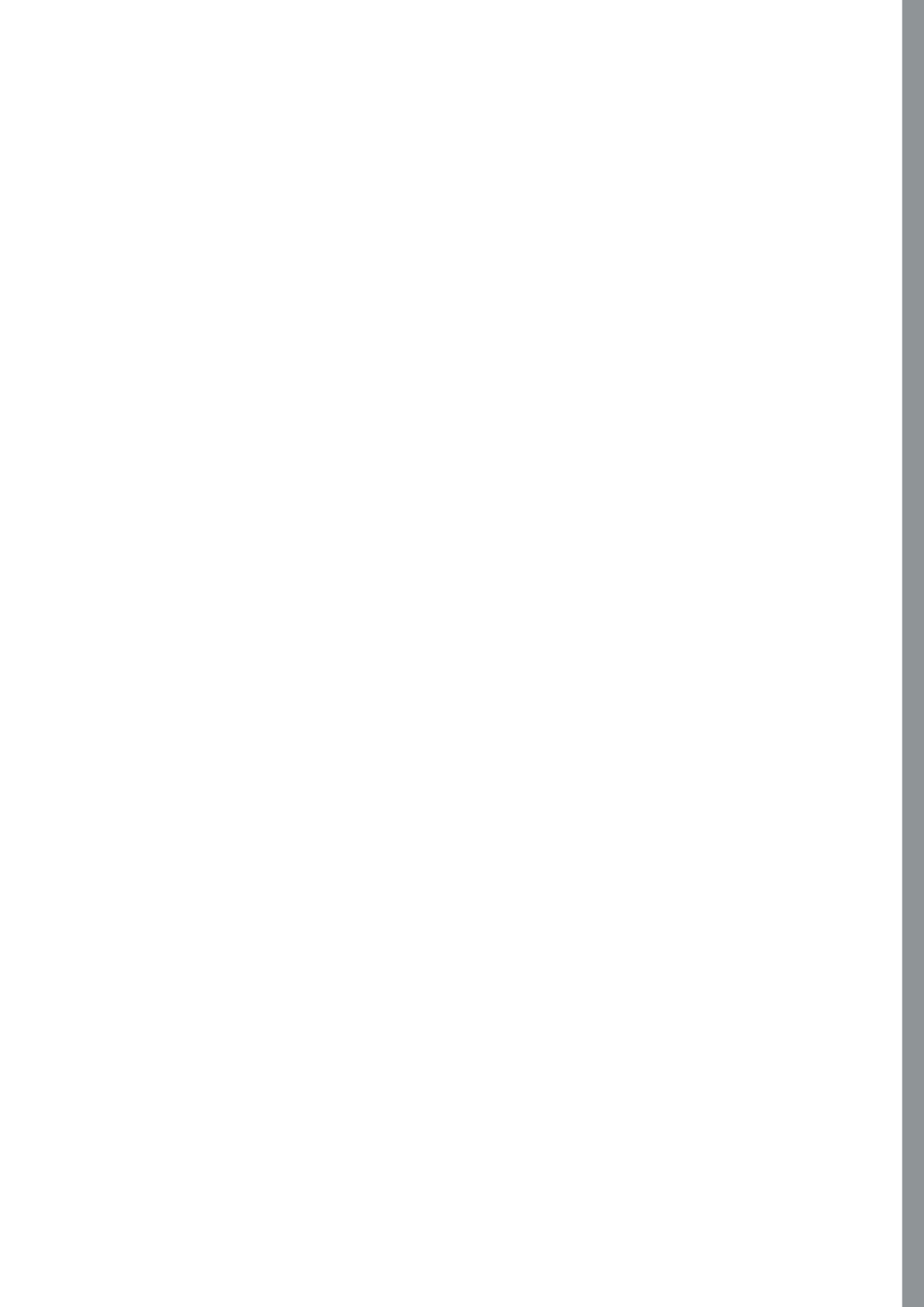


Please find our Care & Maintenance guide by scanning the QR code



You can find more relevant information on Revolver Table by scanning the QR code

You can also find the same information here
hay.dk/downloads



Havnen 1 8700 Horsens Denmark
+45 4282 0282 / hay@hay.com

14/10/2021

HAY