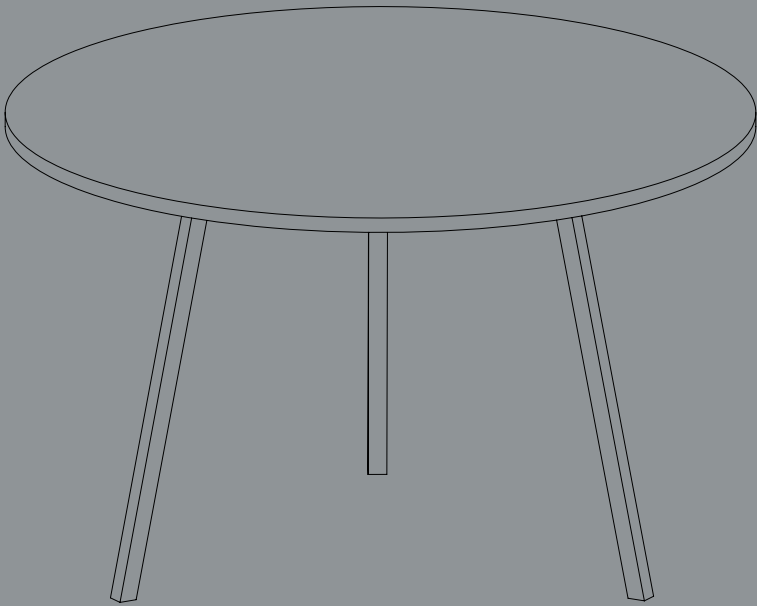


- INSTRUCTION MANUAL -

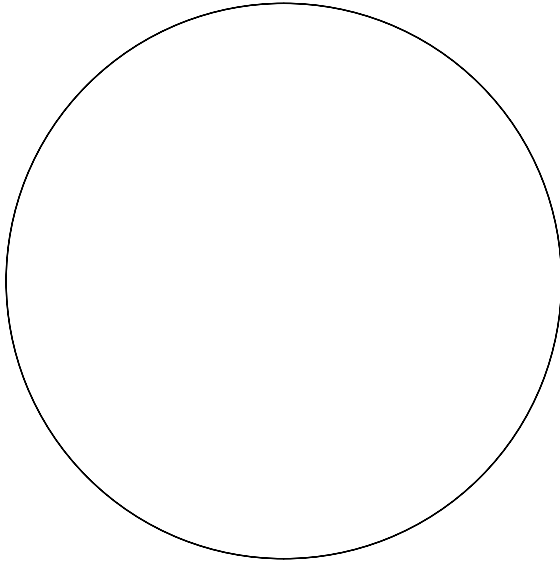
LOOP STAND ROUND



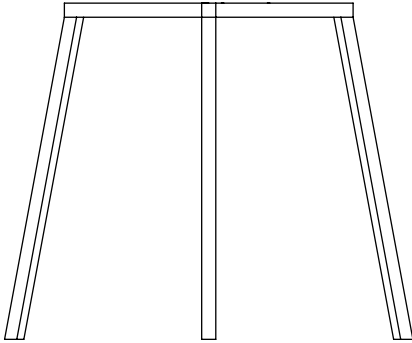
DESIGN BY LEIF JØRGENSEN

HAY

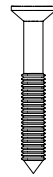
- PARTS -



A Tabletop x1

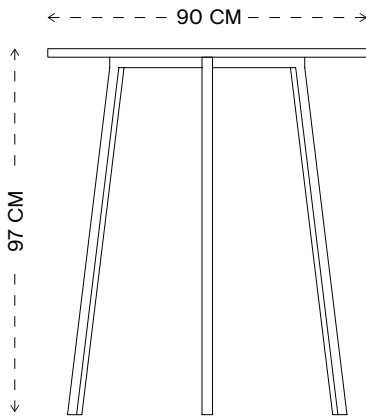
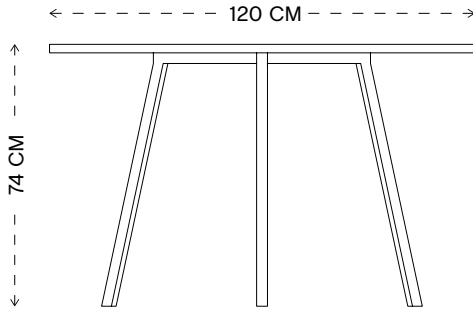
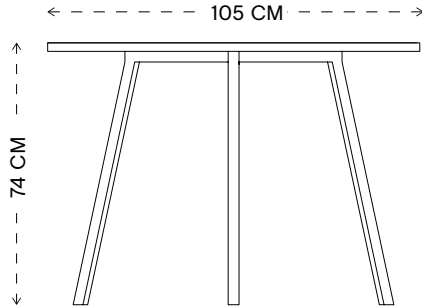


B Leg x1

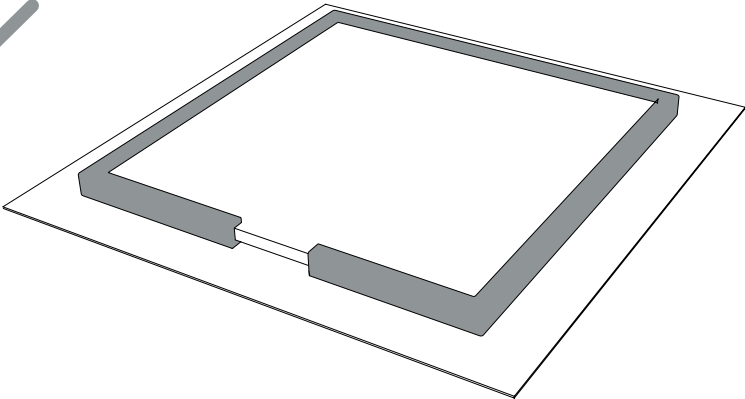
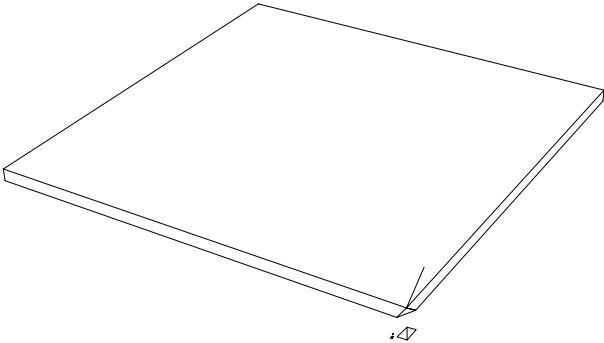


C Screw x6


- OVERVIEW -

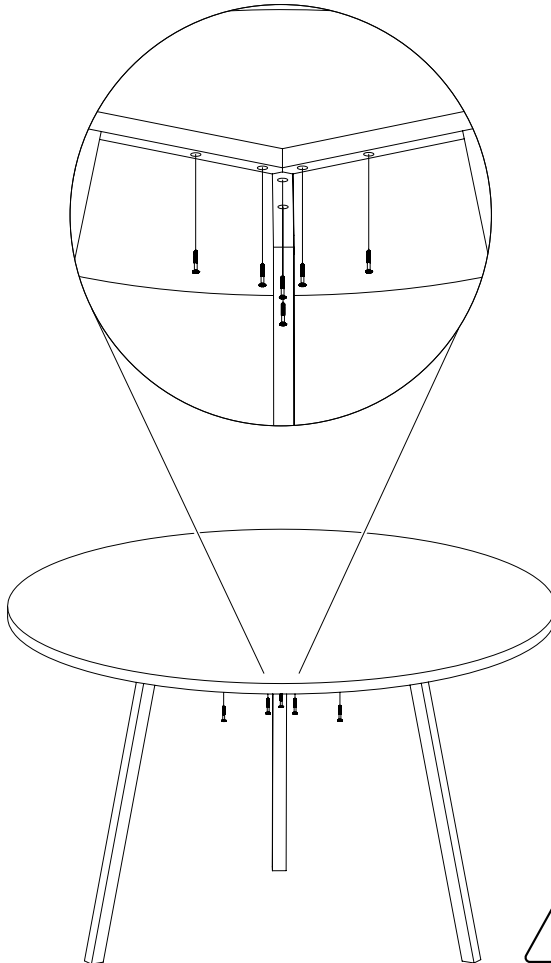


Protect the table top from scratches and other damage while assembling.



1.

Place the trestles standing upright and center the tabletop on it.
Insert the  parts, screwing them through the trestles and into the tabletop.

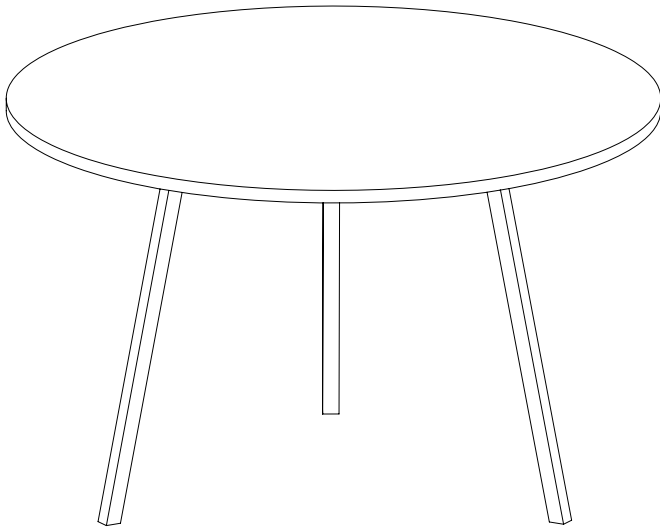


NOTICE

Make sure the table is upright
when mounting the base.

2.

Done!



- CARE & MAINTENANCE -

Our Care & Maintenance offers guidance for optimal maintenance of your HAY product. It includes advice and instructions on cleaning and caring for specific materials to prolong the life of your furniture.

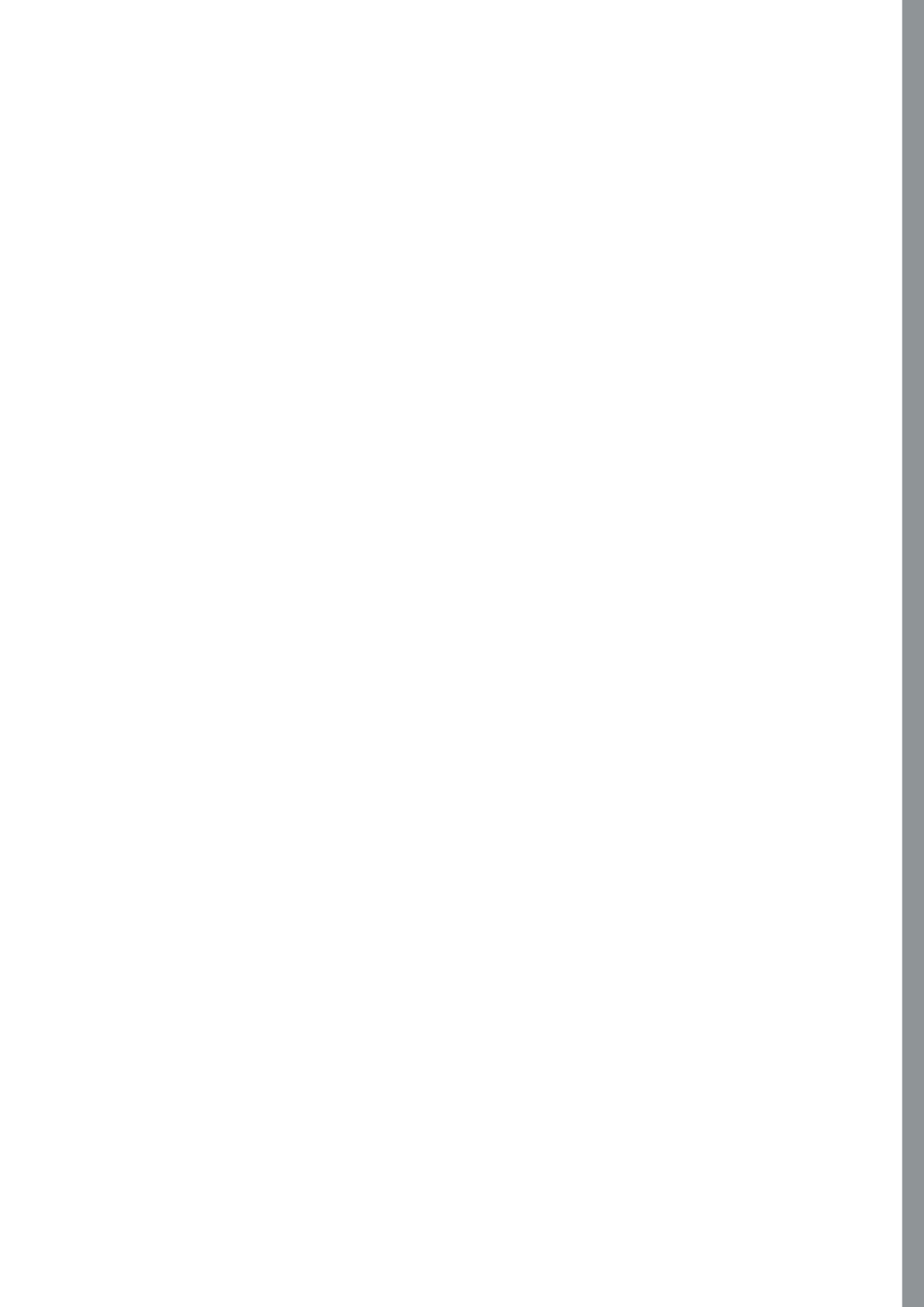


Please find our Care & Maintenance guide by scanning the QR code



You can find more relevant information on Loop Stand Round by scanning the QR code

You can also find the same information here
hay.dk/downloads



Havnen 1 8700 Horsens Denmark
+45 4282 0282 / hay@hay.com

14/10/2021

HAY