

PYRAMID CAFÉ TABLE 21

DESIGN BY WIM RIETVELD



Created to be adaptable, light and strong, the Pyramid Tables are the last word in cutout sheet steel construction. Originally created by Wim Rietveld while working at Ahrend in the 1950s, the collection has been relaunched by HAY together with Ahrend. When initially launched in the '50s, it was regarded as a triumph in its innovative use of sheet steel, giving new direction for use in organically shaped products. Today, both as individual pieces and as a collection, it is notable for its sparing use of materials, simplistic construction and for being light enough to move around. These lasting designs manifest functional excellence and aesthetical lightness that have been proved in real environments over several generations.

Its uncluttered design and hardwearing quality make it suitable using in a wide variety of restaurants and cafés. Available in a variety of wood finishes and base.

PRODUCT DETAILS

- / Multi-functional family of tables and benches in different shapes, sizes, materials and colours.
- / The table features a square or round tabletop with steel-sheet legs that slant outwards from a central point underneath the table.
- / Suitable for a wide variety of private and public environments.
- / Qualified for contract use.
- / The table is available as a rectangular table (Pyramid Table 01 and 02), a round table (Pyramid Café Table 21 and Pyramid Coffee table 51) and a square table (Pyramid Café table 21).
- / The bench is available in 2 variants (Pyramid Bench 11 and 12).

HAY

MATERIAL

TABLETOP / 21 mm solid oak with straight edge.

FRAME / 4 x legs section in 2 mm bent cutout sheet steel.

COLOUR & FINISH

Please note that the colour codes are indicative.

TABLETOP / Available in 4 different tabletop finishes:

- / Clear lacquered solid oak
- / Matt lacquered solid oak
- / Smoked oiled solid oak
- / Oiled solid oak

FRAME FINISH / Available in 2 different frame finishes:

- / Black powder coated steel (RAL 9005)
- / Beige powder coated steel (NCS S 3502 - Y)

CONSTRUCTION

The legs need to be mounted onto the connection bracket under the tabletop using the screws and Allen key provided.

Requires assembly.

Please follow the instruction manual.

TABLETOP FINISH



FRAME FINISH



DIMENSIONS

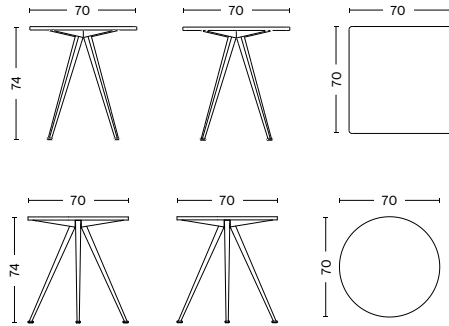
LENGTH / 70 cm / 27.56"

WIDTH / 70 cm / 27.56"

HEIGHT / 74 cm / 29.13"

DIAMETER / 70 cm / 27.56"

HEIGHT / 74 cm / 29.13"



TESTS

EN 15372: 2008 / Furniture - Strength, durability and safety

- Requirements for non-domestic tables.

L3: Severe use.

DOWNLOADS

Packshots and lifestyle photos, 2D / 3D files, care and maintenance instructions, test certificates, product fact sheets, and product presentations are available in our Image Bank at hay.com.

[Link to downloads.](#)