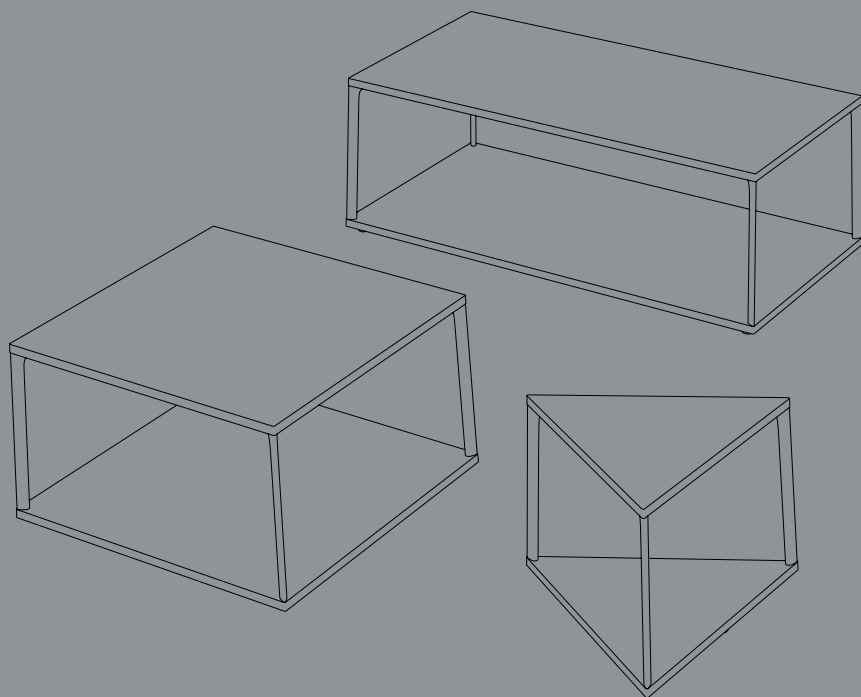


- INSTRUCTION MANUAL -

# EIFFEL TABLE

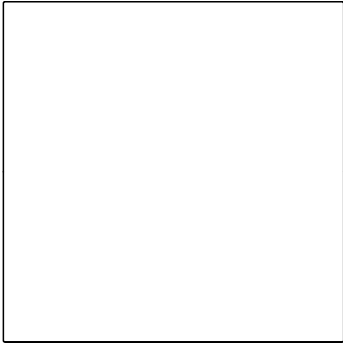


DESIGN BY DEPPING & JØRGENSEN

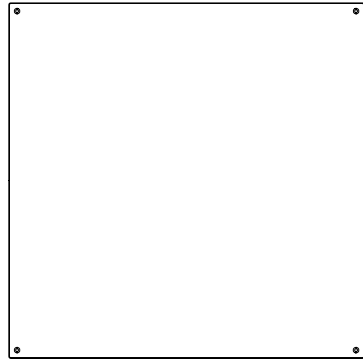
# HAY



- PARTS -



**A** Tabletop x1



**B** Table base x1



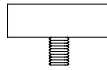
**C** Upright x4



**D** Screw x8  
5Mx12



**E** Screw x4  
M5x25

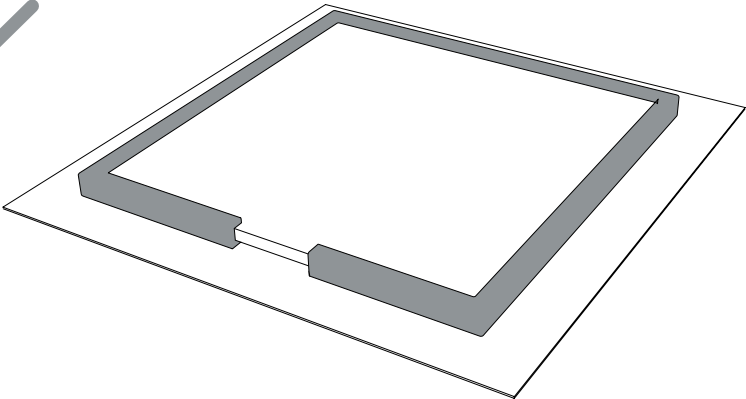
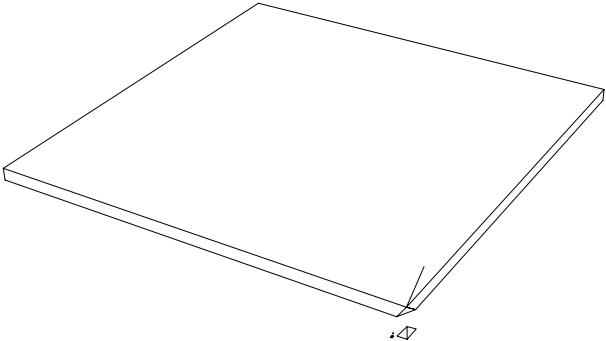


**F** Screw x4



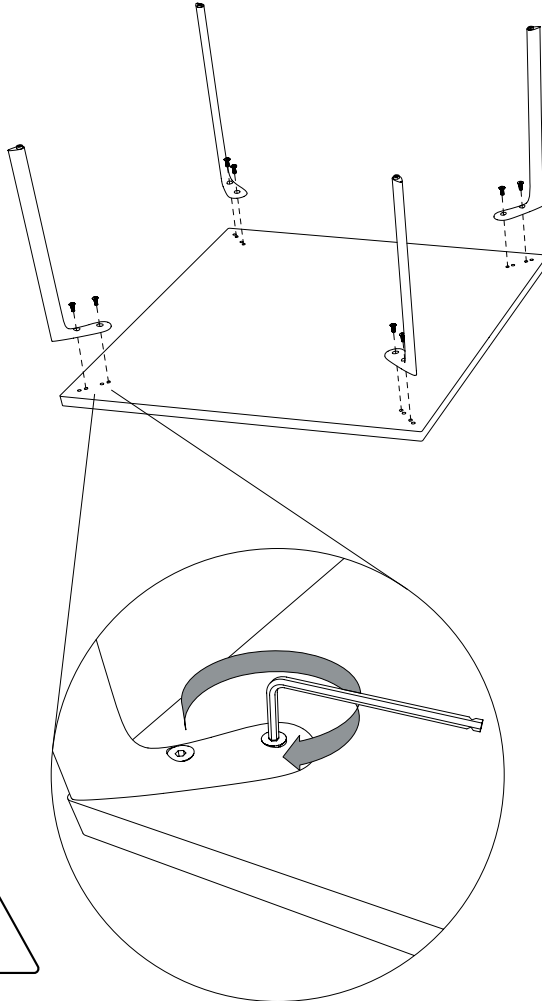
**G** Allen key x1

Protect the table top from scratches and other damage while assembling.



1.

Mount the **C** parts onto the **A** part using the **D** and **G** parts.

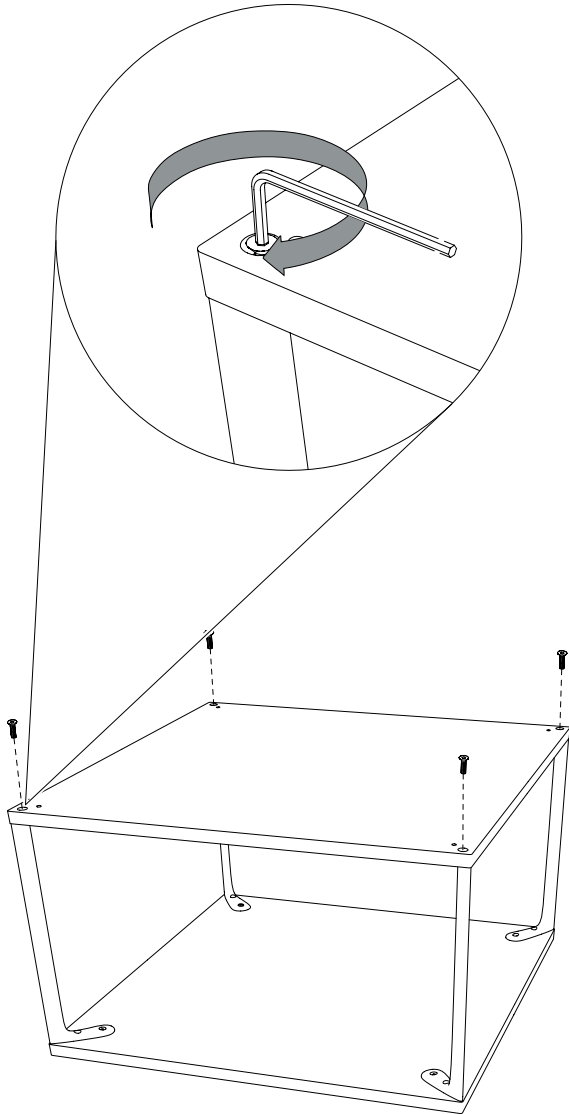


**NOTICE**

Make sure to use the correct screws. The correct screws for this step are the short screws M5x12 (**D** parts)

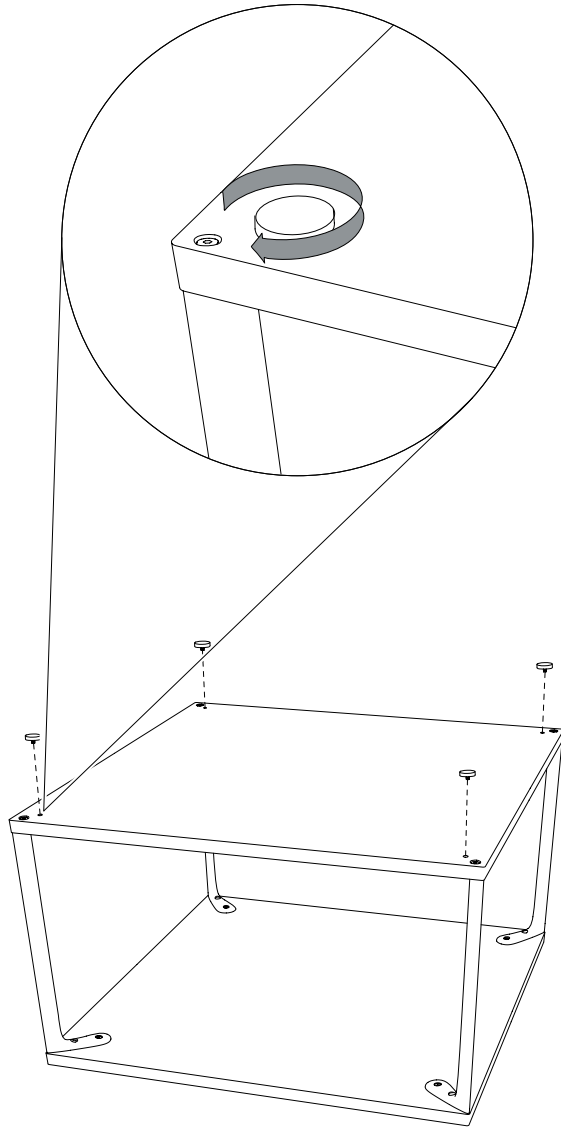
2.

Mount the **B** part onto the **C** parts using the **E** and **G** parts.



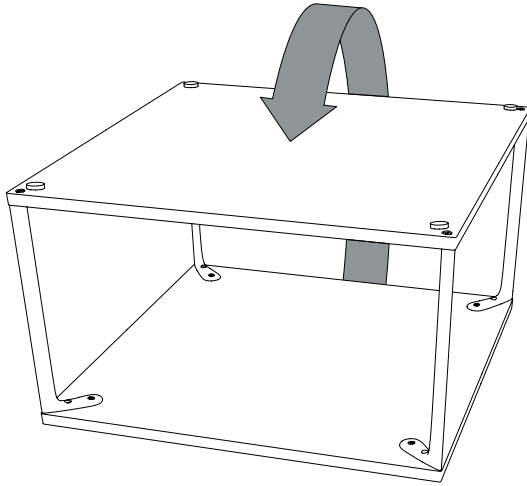
3.

Mount the **F** parts onto the **B** part.



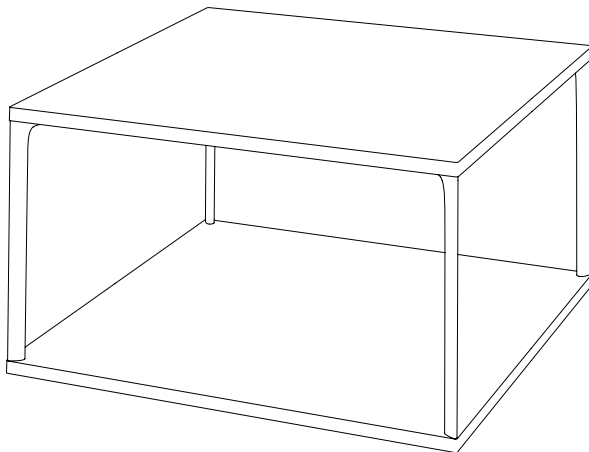
4.

Turn the table over (two people are recommended).



5.

Done!





- CARE & MAINTENANCE -

Our Care & Maintenance offers guidance for optimal maintenance of your HAY product. It includes advice and instructions on cleaning and caring for specific materials to prolong the life of your furniture.

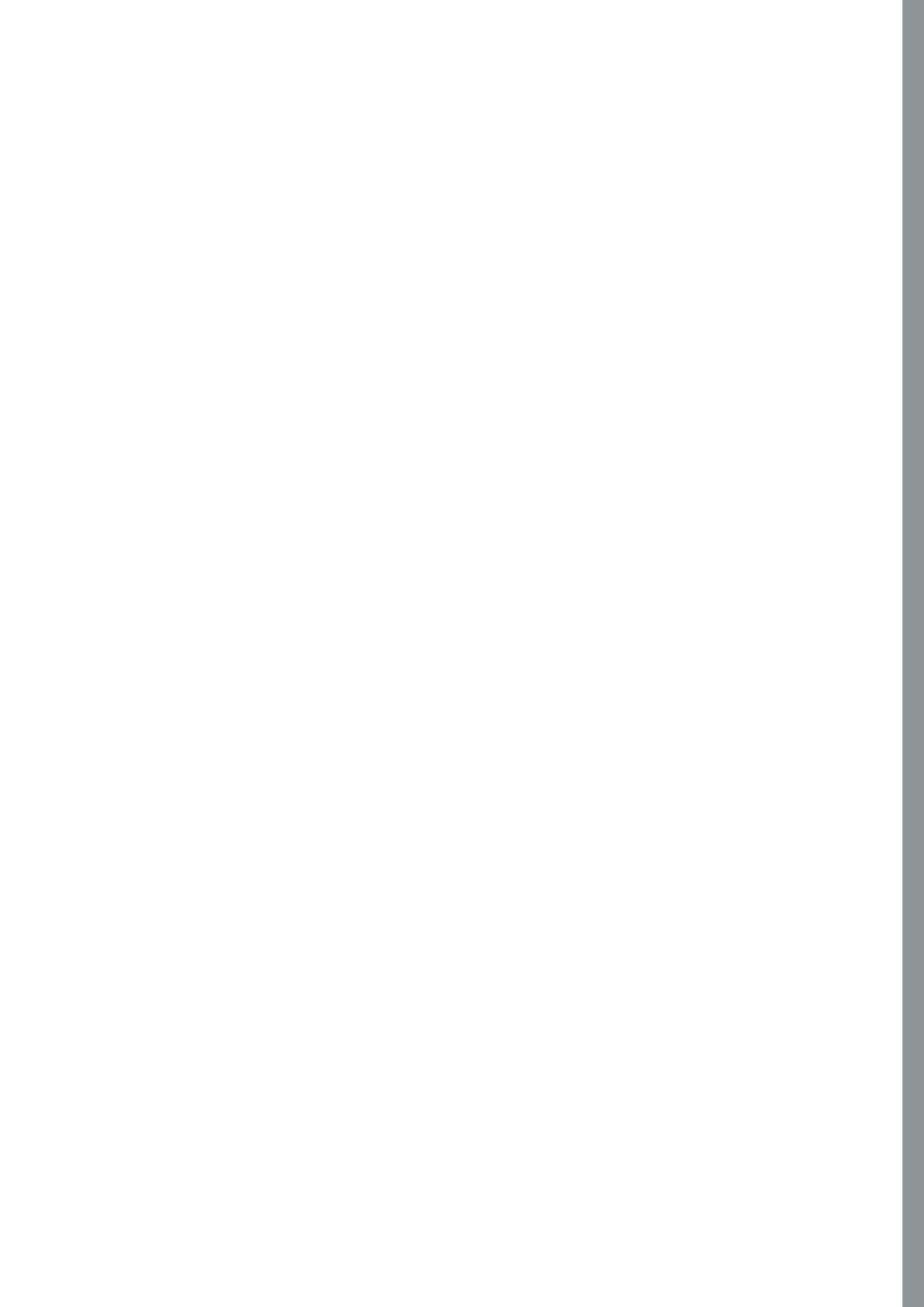


Please find our Care & Maintenance guide by scanning the QR code



You can find more relevant information on Eiffel Table by scanning the QR code

You can also find the same information here  
[hay.dk/downloads](http://hay.dk/downloads)





Havnen 1 8700 Horsens Denmark  
+45 4282 0282 / hay@hay.com

14/10/2021

**HAY**