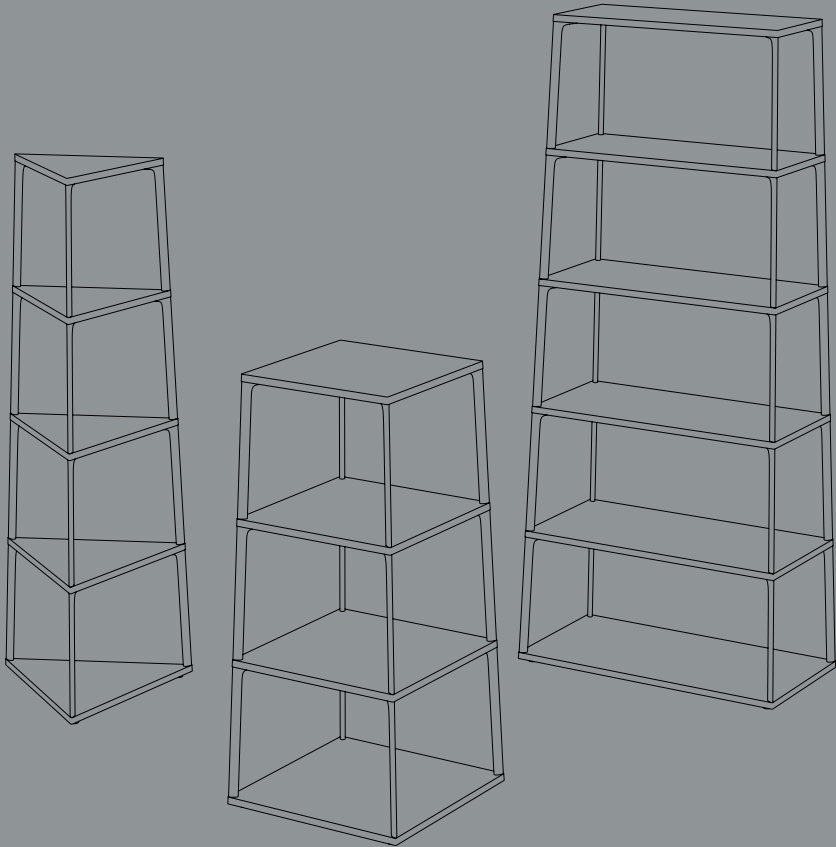


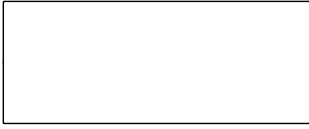
EIFFEL SHELF



DESIGN BY DEPPING & JØRGENSEN

HAY

- PARTS -



A Shelf x1



B Shelf x1



C Shelf x1



D Shelf x1



E Shelf x1



F Shelf x1



G Upright x20



H Screw x40
5Mx12



I Screw x20
M5x25

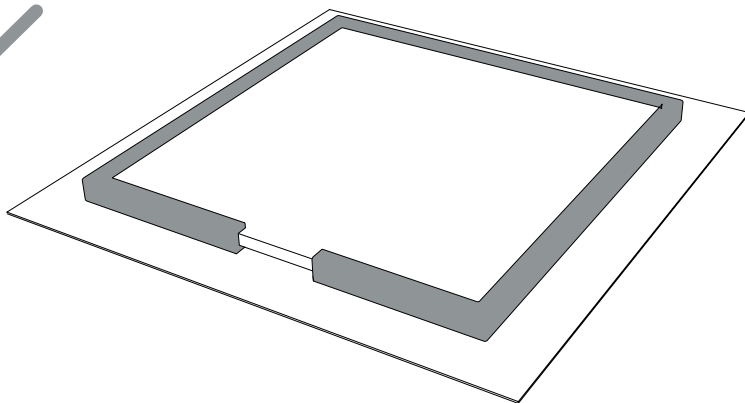
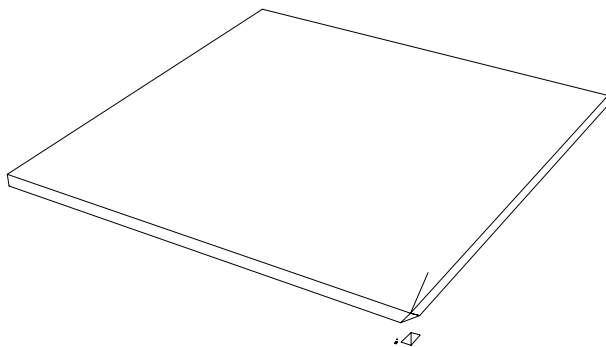


J Screw x4



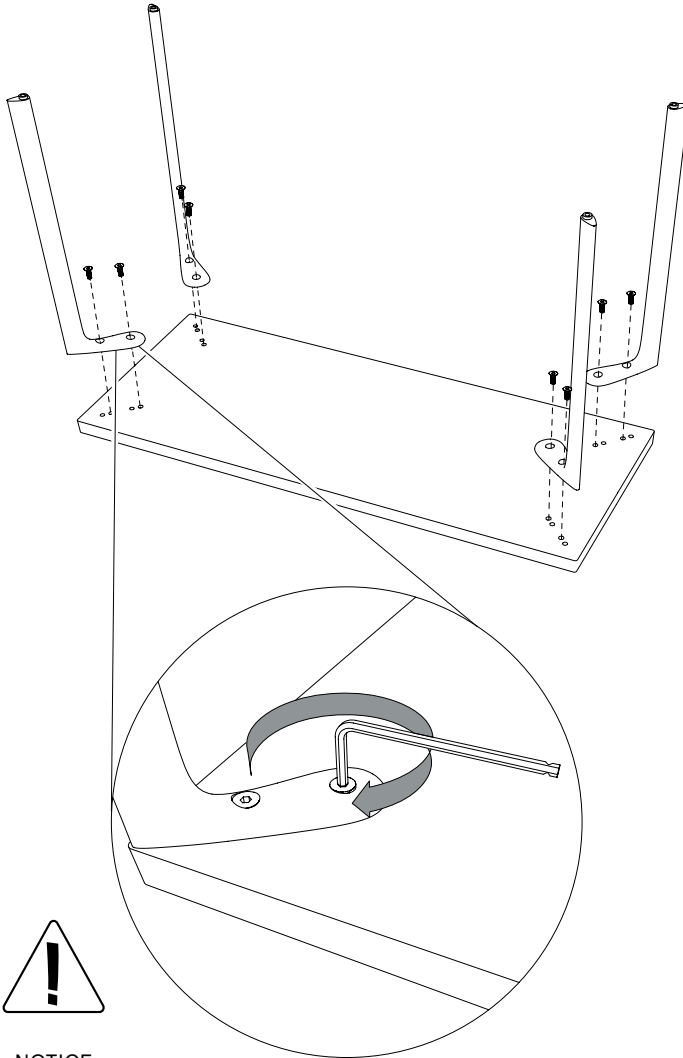
K Allen key x1

Protect the shelves from scratches and other damage while assembling.



1.

Mount 4 x **G** parts onto the **A** part using the **H** and **K** parts.

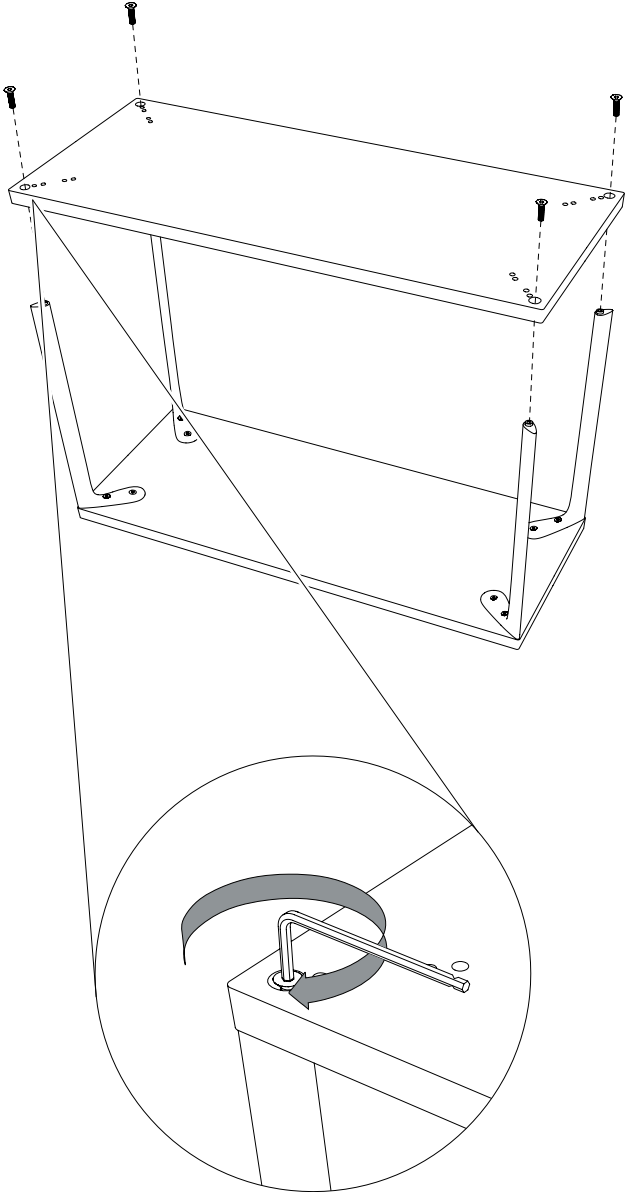


NOTICE

Make sure to use the correct screws. The correct screws for this step are the short screws M5x12 (**H** parts)

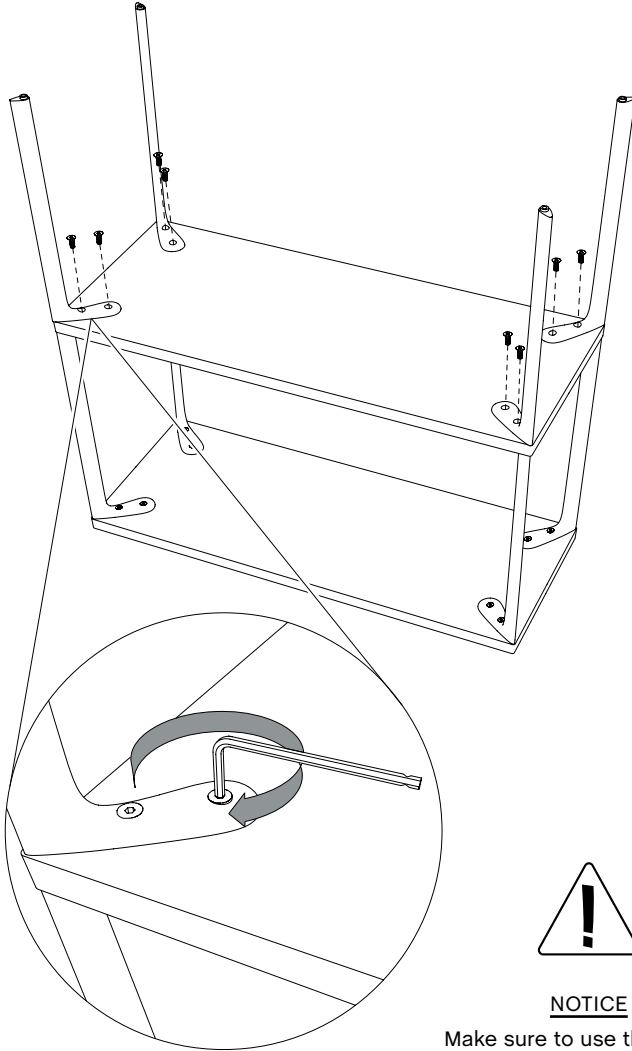
2.

Mount the **B** part onto the 4 x **G** parts using the **I** and **K** parts.



3.

Mount 4 x **G** parts onto the **B** part using the **H** and **K** parts.

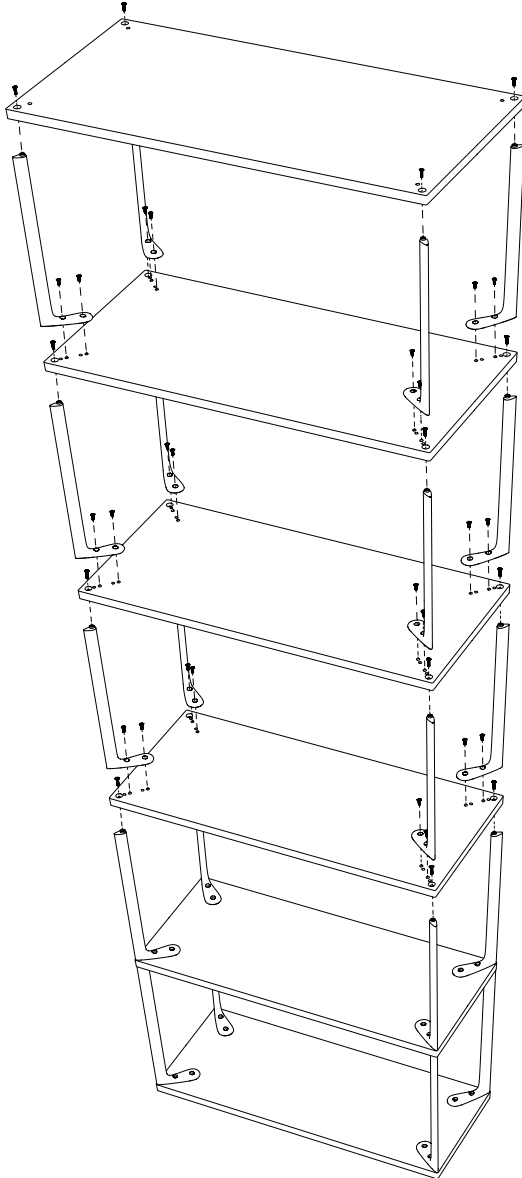


NOTICE

Make sure to use the correct screws. The correct screws for this step are the short screws M5x12 (**H** parts)

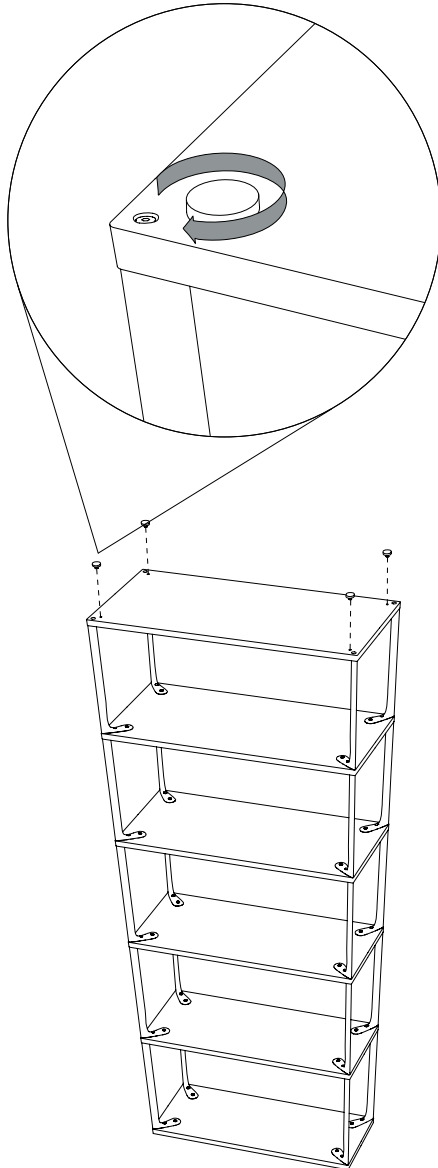
4.

Repeat the last two steps for the **C**, **D**, **E** and **F** parts.



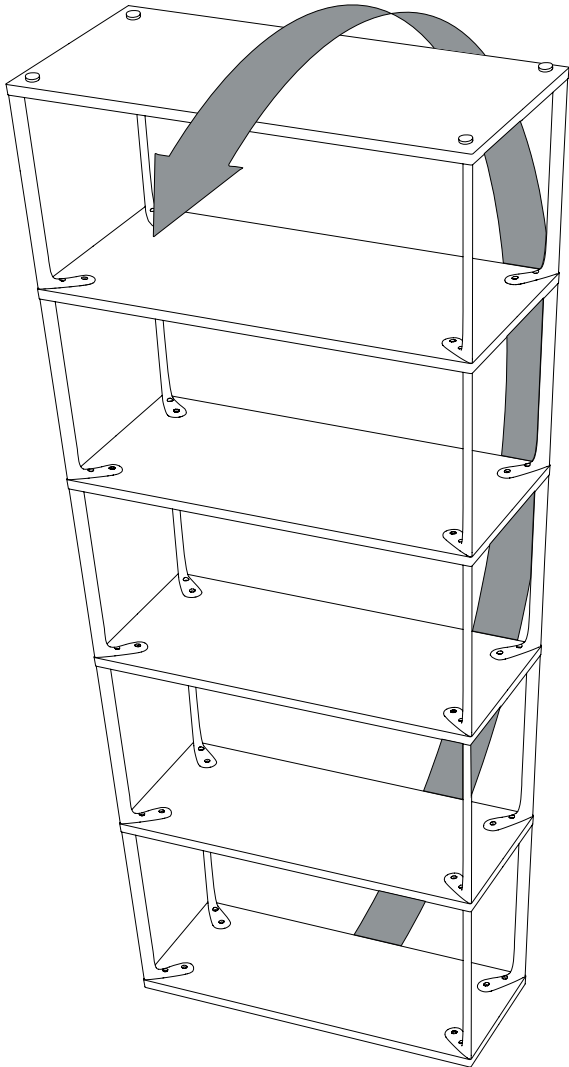
5.

Mount the **J** parts onto the **F** part.



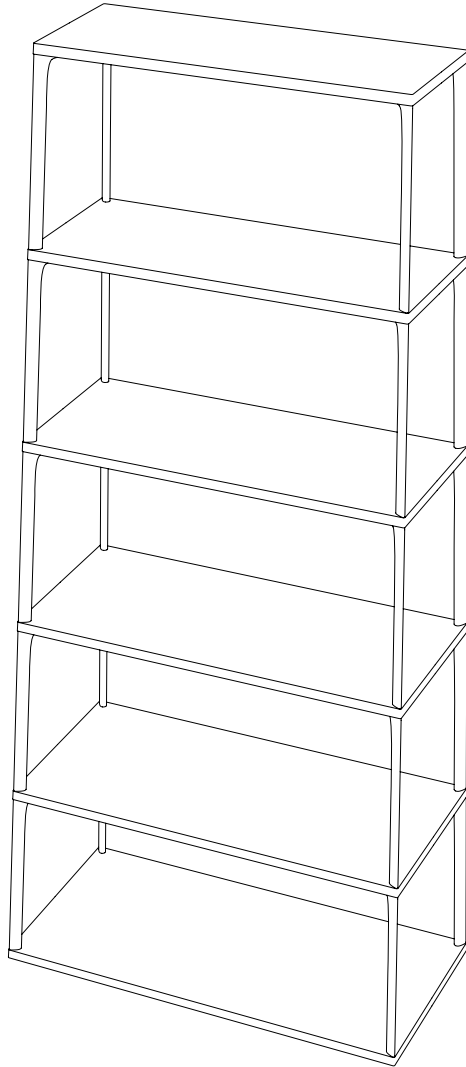
6.

Turn the shelf over (two people are recommended).



7.

Done!



- CARE & MAINTENANCE -

Our Care & Maintenance offers guidance for optimal maintenance of your HAY product. It includes advice and instructions on cleaning and caring for specific materials to prolong the life of your furniture.

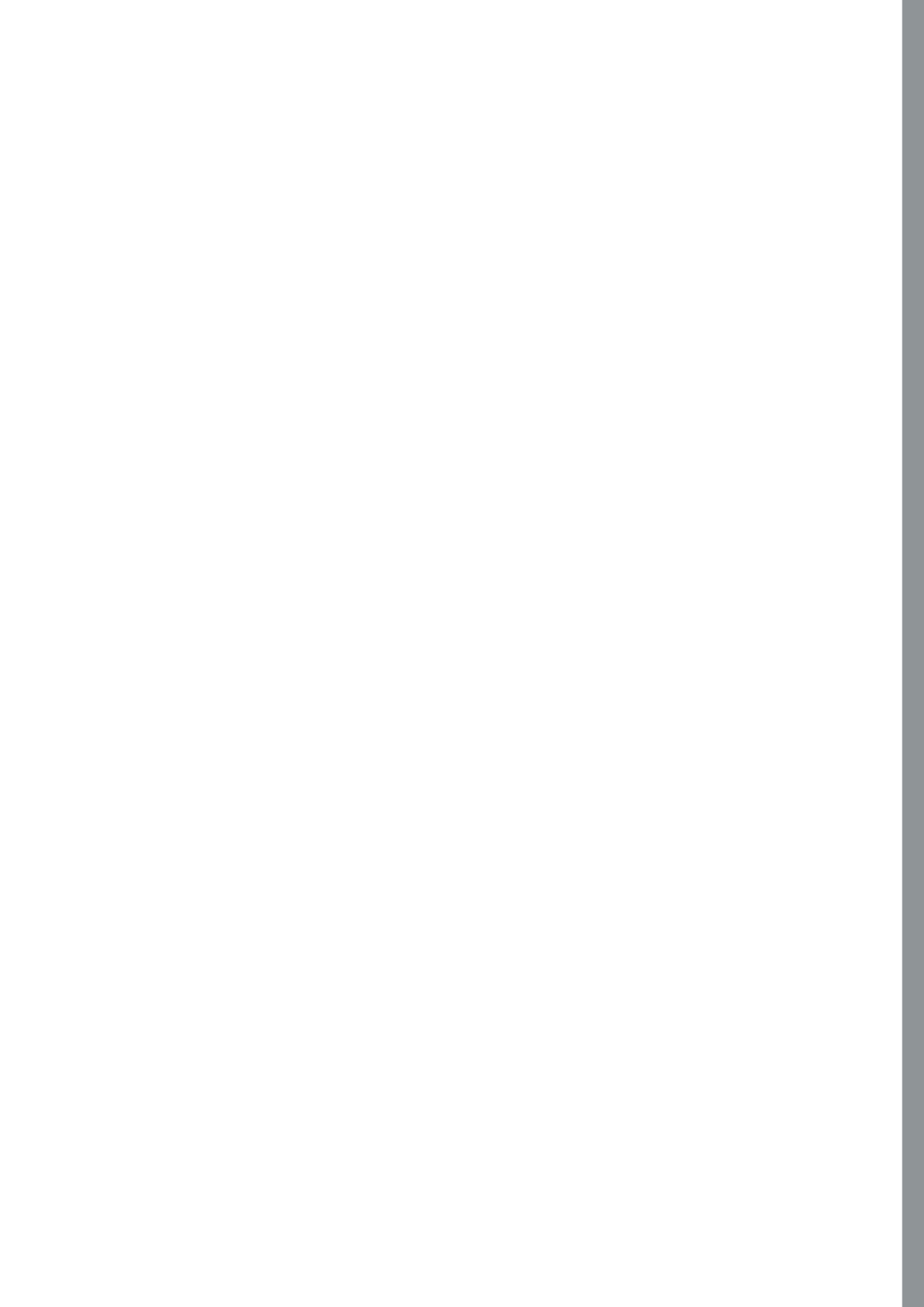


Please find our Care & Maintenance guide by scanning the QR code



You can find more relevant information on Eiffel Shelf by scanning the QR code

You can also find the same information here
hay.dk/downloads



Havnen 1 8700 Horsens Denmark
+45 4282 0282 / hay@hay.com

10/01/2022

HAY