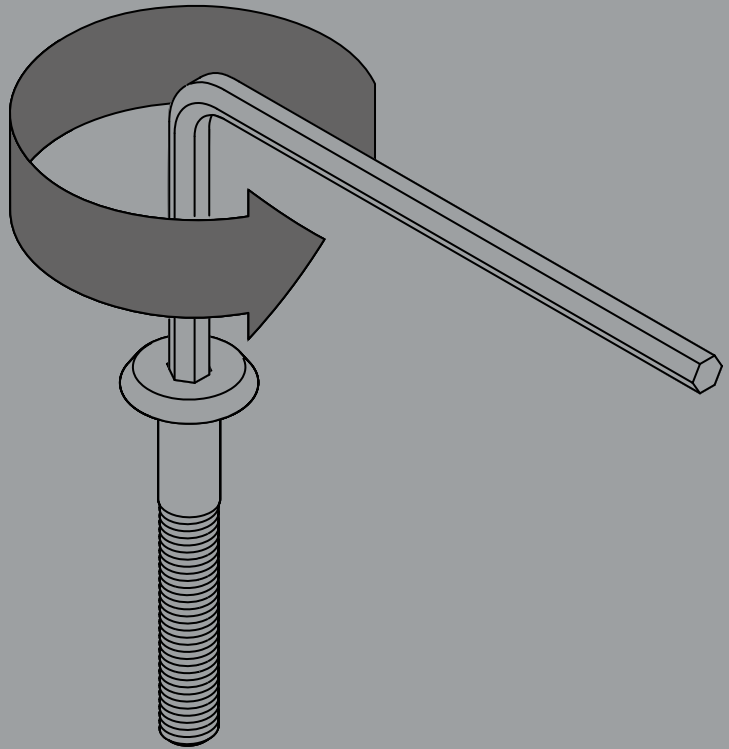


DISASSEMBLY



HAY

All the furniture in this instruction manual is ecolabelled and designed to be long-lasting products made to endure years to come. The furniture is 100% recyclable and parts can be fully separated and recycled. All parts can be delivered to a suitable recycling facility.

- TABLE OF CONTENTS -

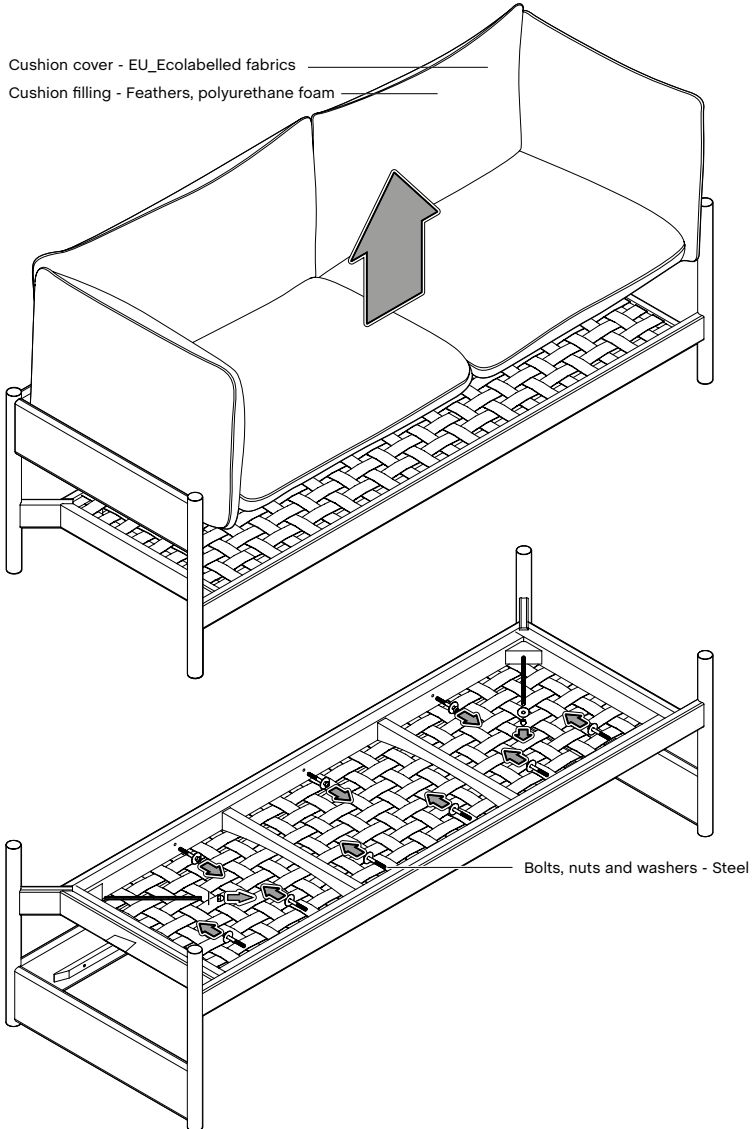
ARBOUR ECO	6-7
AAC 12 ECO	8
AAC 22 ECO	9
AAS 32 ECO	10
CPH 10	11
CPH 25	12
CPH 30	13
CPH 30 EXTENDABLE	14
CPH 90	15
CPH 190	16
CPH DEUX 210	17
CPH DEUX 215	18
CPH DEUX 220	19
CPH DEUX 250	20
RESULT CHAIR	21-22
REVOLT CHAIR	23
SOFT EDGE 10 CHAIR	24-25
SOFT EDGE 10 BAR STOOL	26-27
SOFT EDGE 10 SLED	28-29
SOFT EDGE 10 LOUNGE	30-31

- TABLE OF CONTENTS -

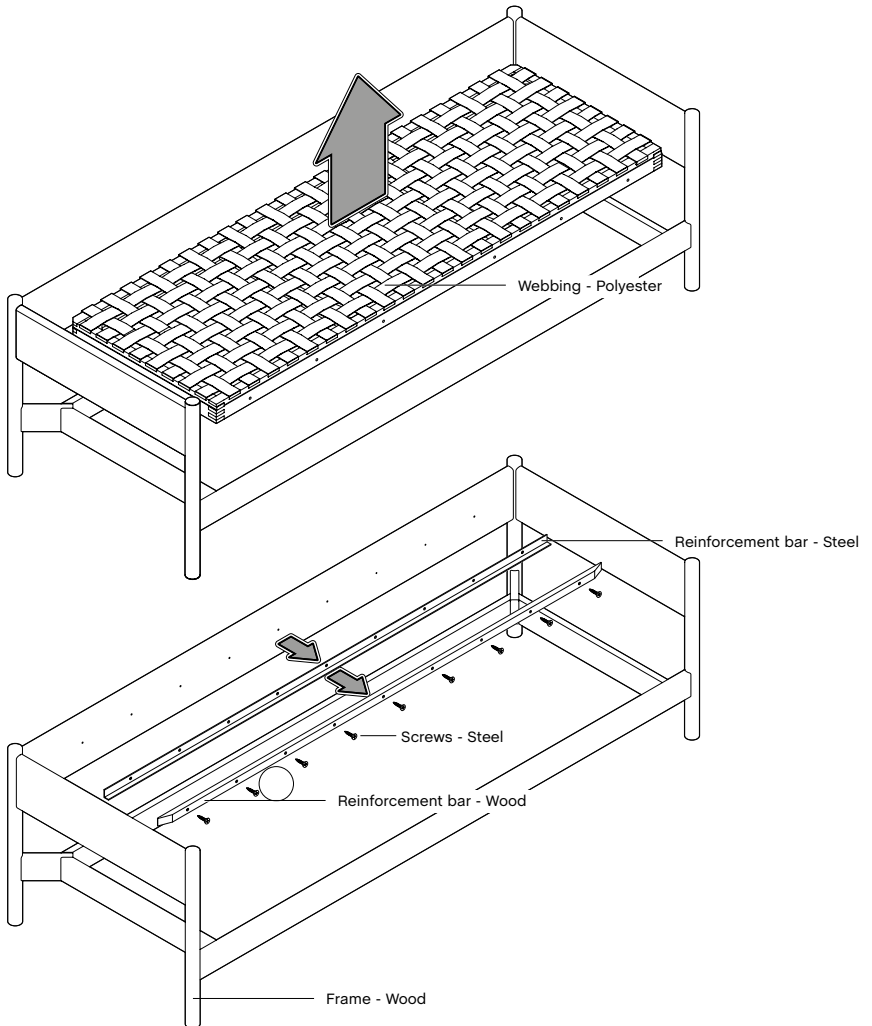
SOFT EDGE 12 CHAIR	32-33
SOFT EDGE 30 BAR STOOL	34
SOFT EDGE 32 BAR STOOL	35
SOFT EDGE 70 STOOL	36
SOFT EDGE 72 STOOL	37
TRIANGLE LEG TABLE	38
TRIANGLE LEG BENCH	39

1. Remove the cushions.

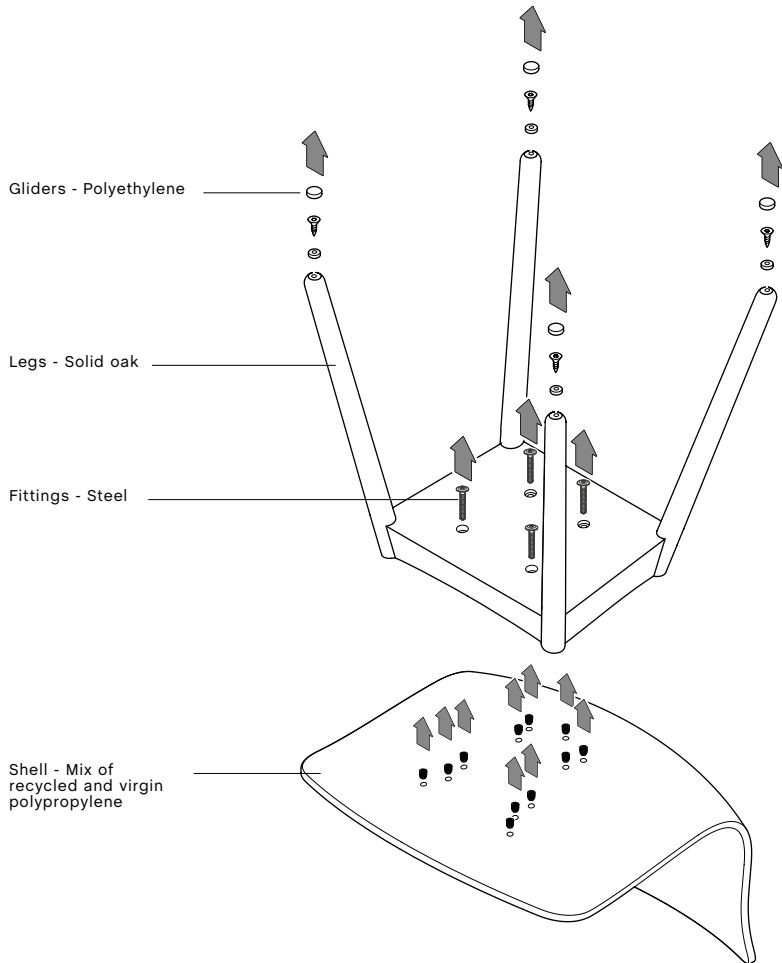
2. Turn the sofa upside down and separate the base from the frame by unscrewing all the screws



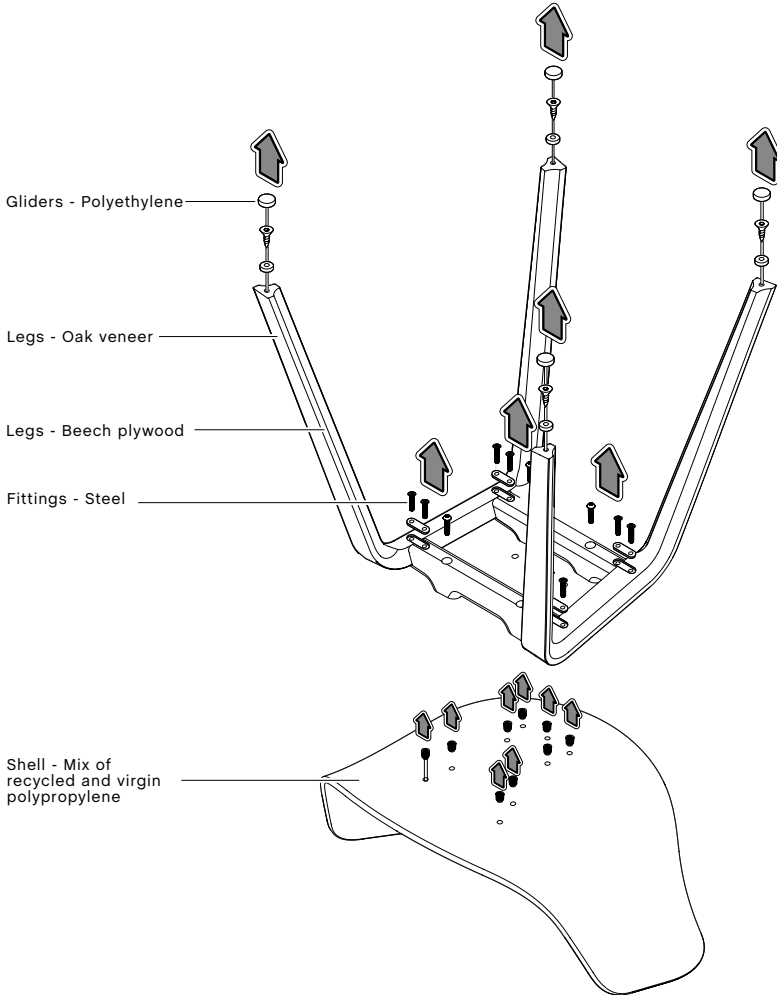
3. Remove the webbing base by lifting it up.
4. Unscrew all the screws to remove the steel profile and the wood profile from the frame.



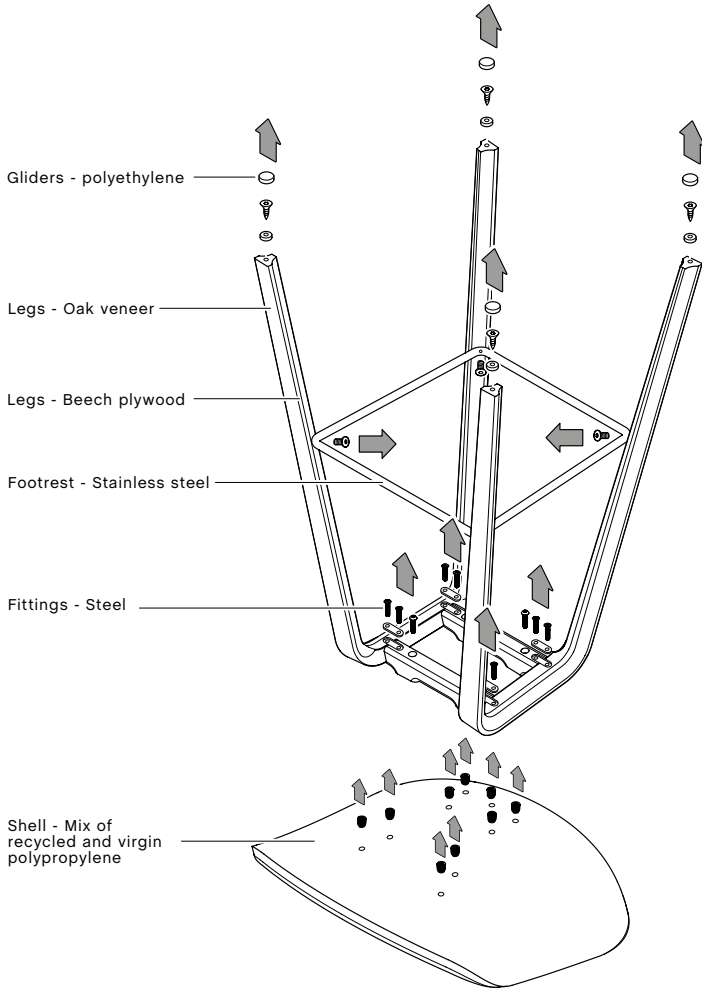
1. Turn the chair upside down.
2. Remove all the bushings from the bottom of the seat.
3. Remove the gliders from the legs.
4. Separate the base from the seat.



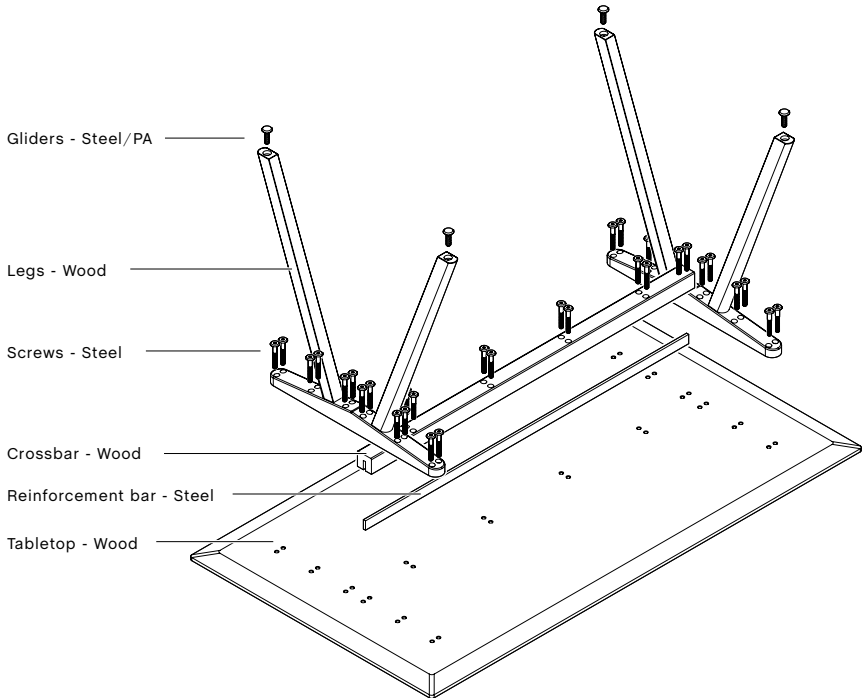
1. Turn the chair upside down.
2. Remove all the bushings from the bottom of the seat.
3. Remove the gliders from the legs.
4. Separate the base from the seat.



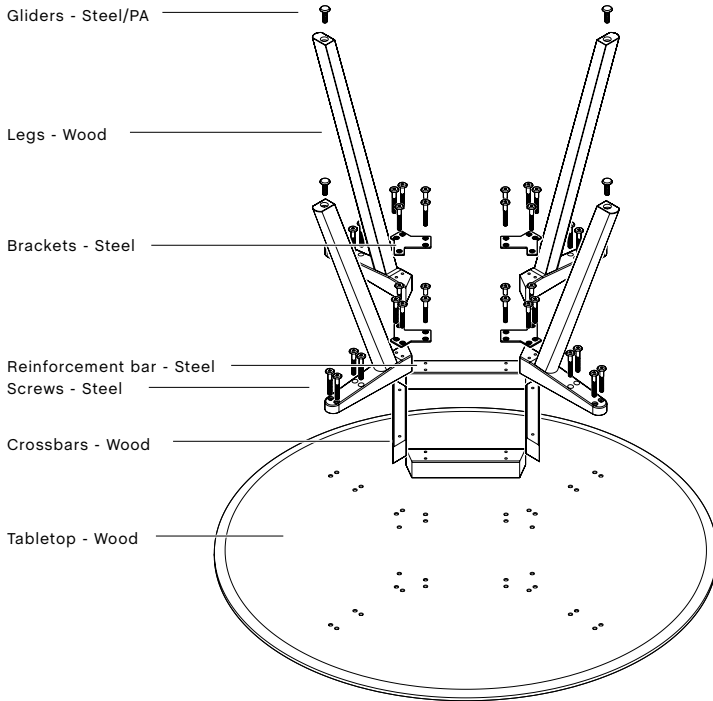
1. Turn the chair upside down.
2. Remove all the bushings from the bottom of the seat.
3. Remove the gliders and the footrest from the legs.
4. Separate the base from the seat.



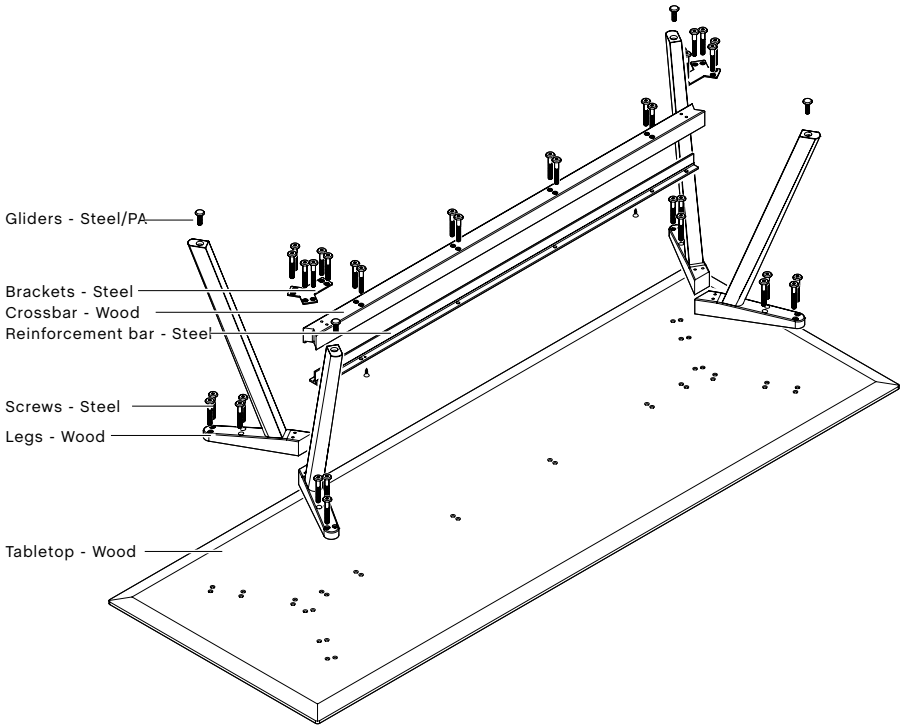
1. Turn the table upside down
2. Unscrew all the screws holding the legs and crossbar.
3. Separate the reinforcement bar from the crossbar by unscrewing the screws.
4. Unscrew the gliders from the legs.



1. Turn the table upside down.
2. Unscrew all the screws holding the legs and crossbar.
3. Unscrew the gliders from the legs.

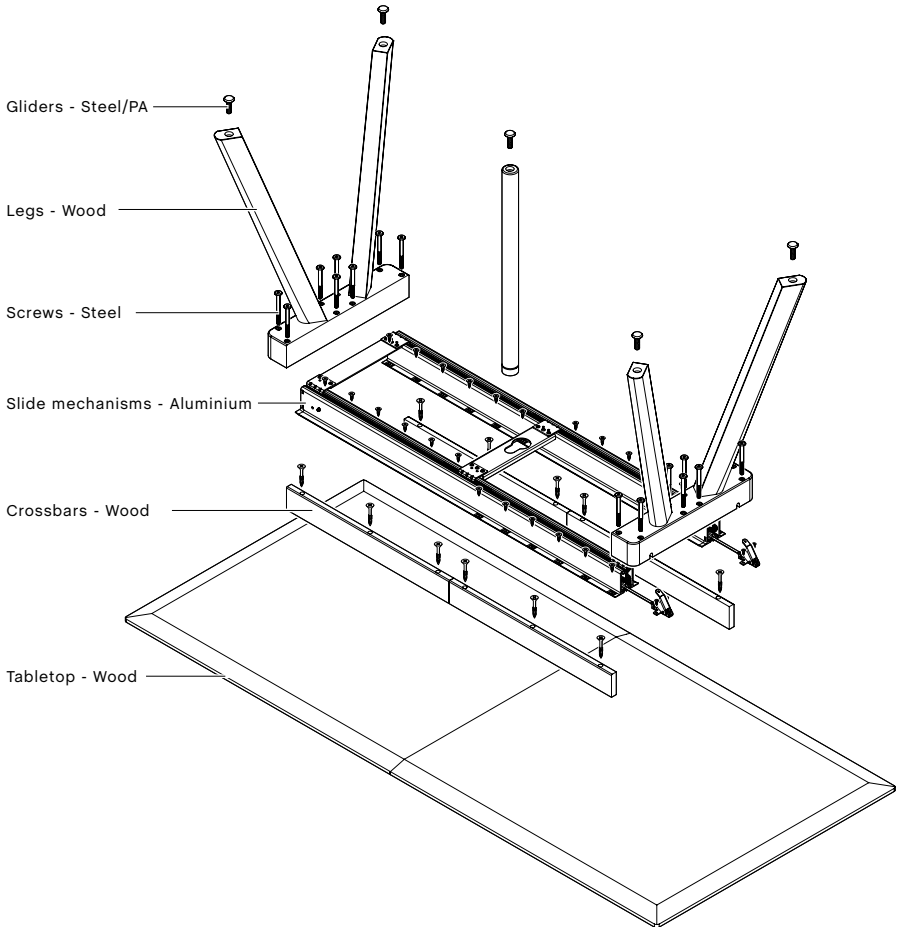


1. Turn the table upside down.
2. Unscrew all the screws holding the legs and crossbar.
3. Separate the reinforcement bar from the crossbar by unscrewing the screws.
4. Unscrew the gliders from the legs.

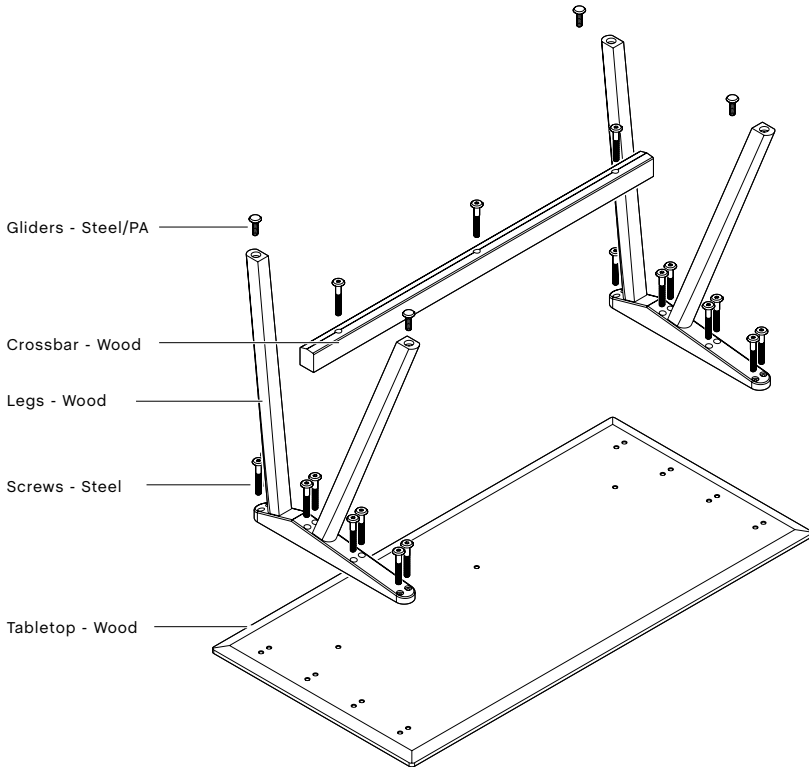


- CPH 30 EXTENDABLE -

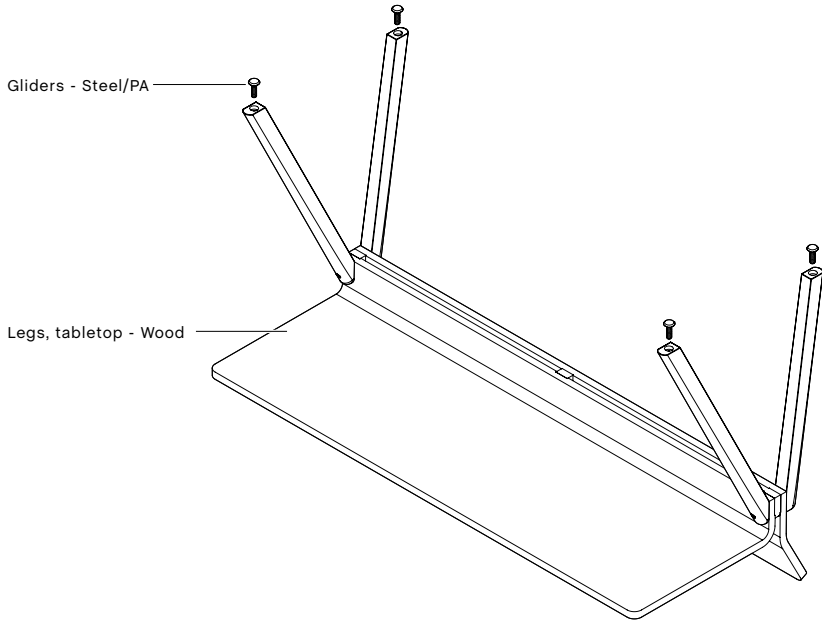
1. Turn the table upside down.
2. Unscrew all the screws holding the legs and crossbar.
3. Separate the reinforcement bar from the crossbar by unscrewing the screws.
4. Unscrew the gliders from the legs.



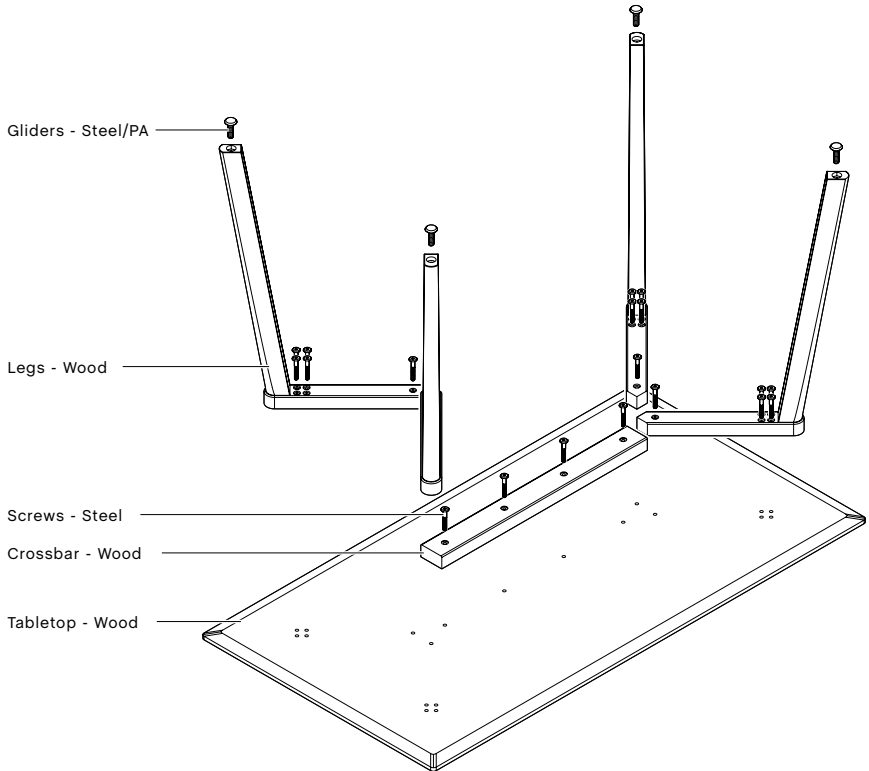
1. Turn the table upside down.
2. Unscrew all the screws holding the legs and crossbar.
3. Unscrew the gliders from the legs.



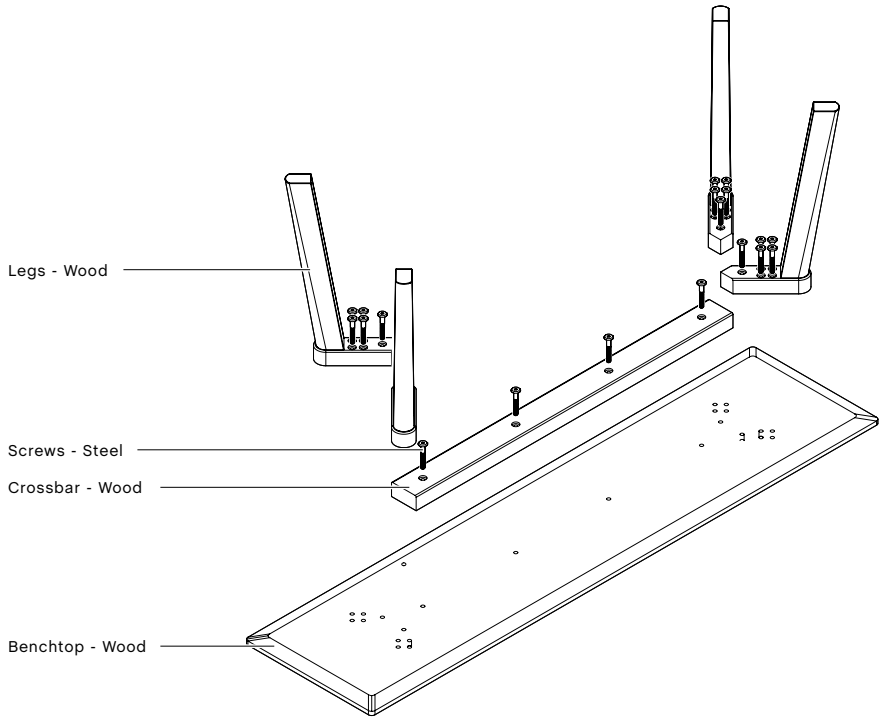
1. Turn the table upside down.
2. Unscrew the gliders from the legs.



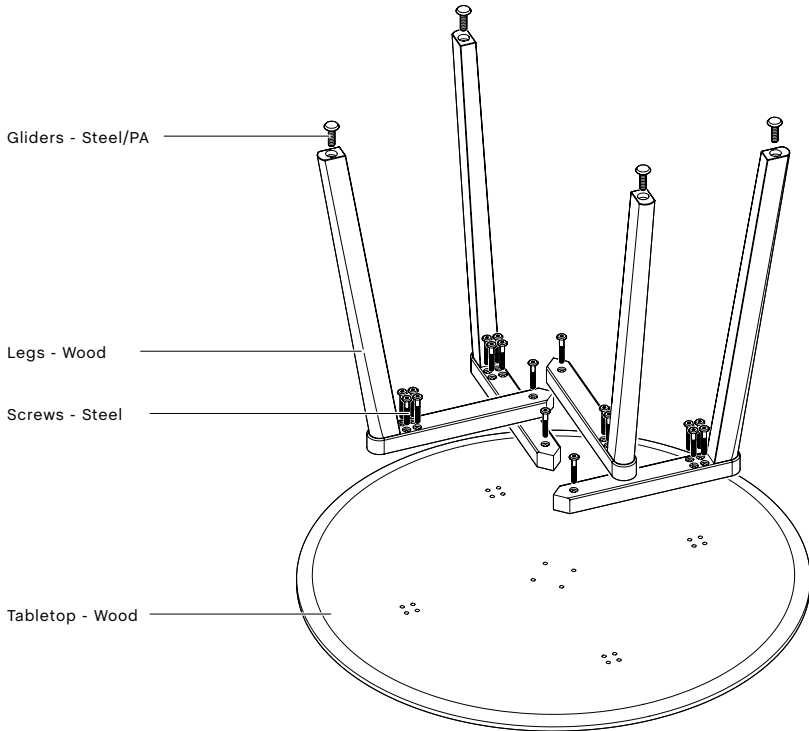
1. Turn the table upside down.
2. Unscrew all the screws holding the legs and crossbar.
3. Unscrew the gliders from the legs.



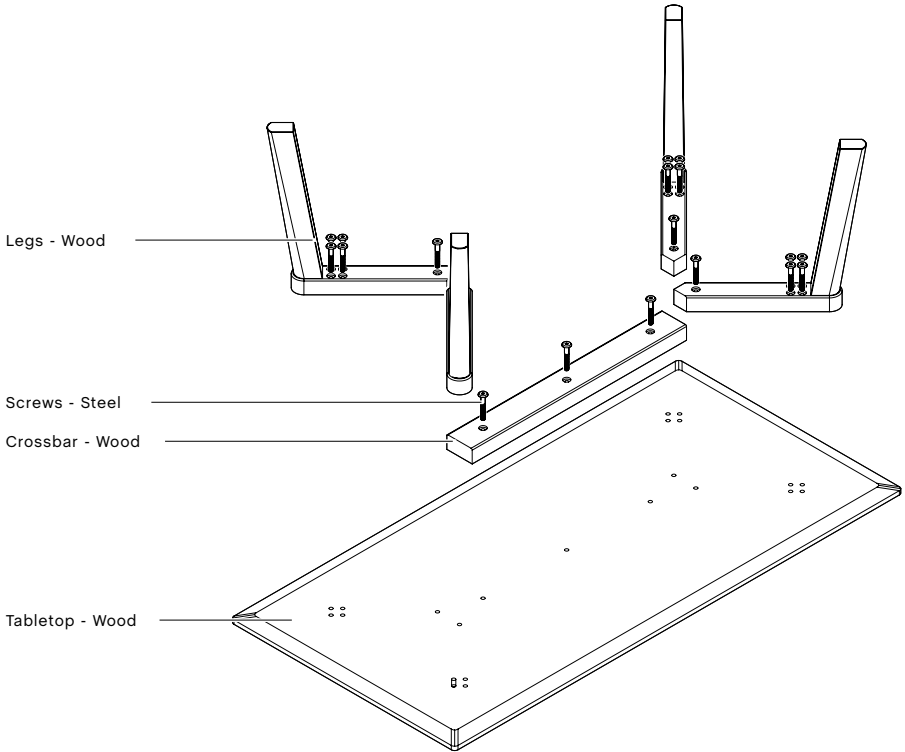
1. Turn the bench upside down.
2. Unscrew all the screws holding the legs and crossbar.
3. Unscrew the gliders from the legs.



1. Turn the bench upside down.
2. Unscrew all the screws holding the legs and crossbar.
3. Unscrew the gliders from the legs.

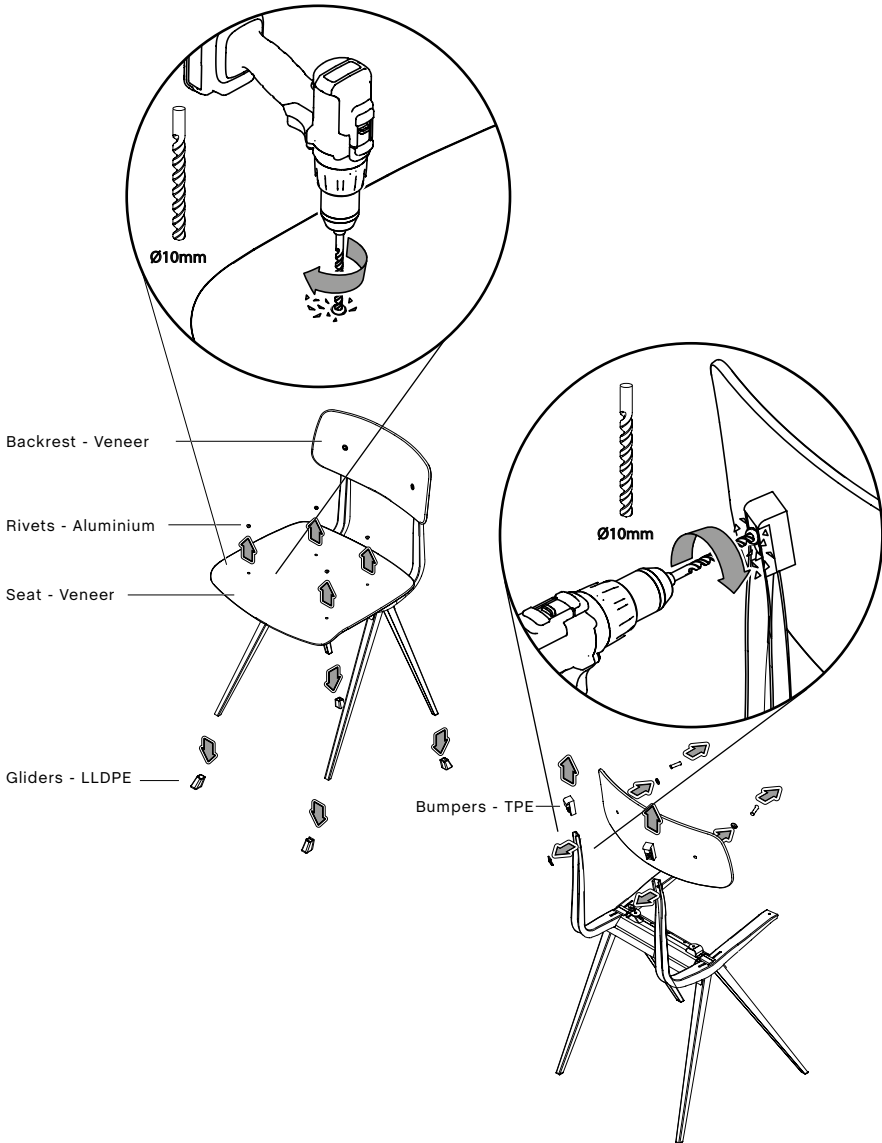


1. Turn the table upside down.
2. Unscrew all the screws holding the legs and crossbar.



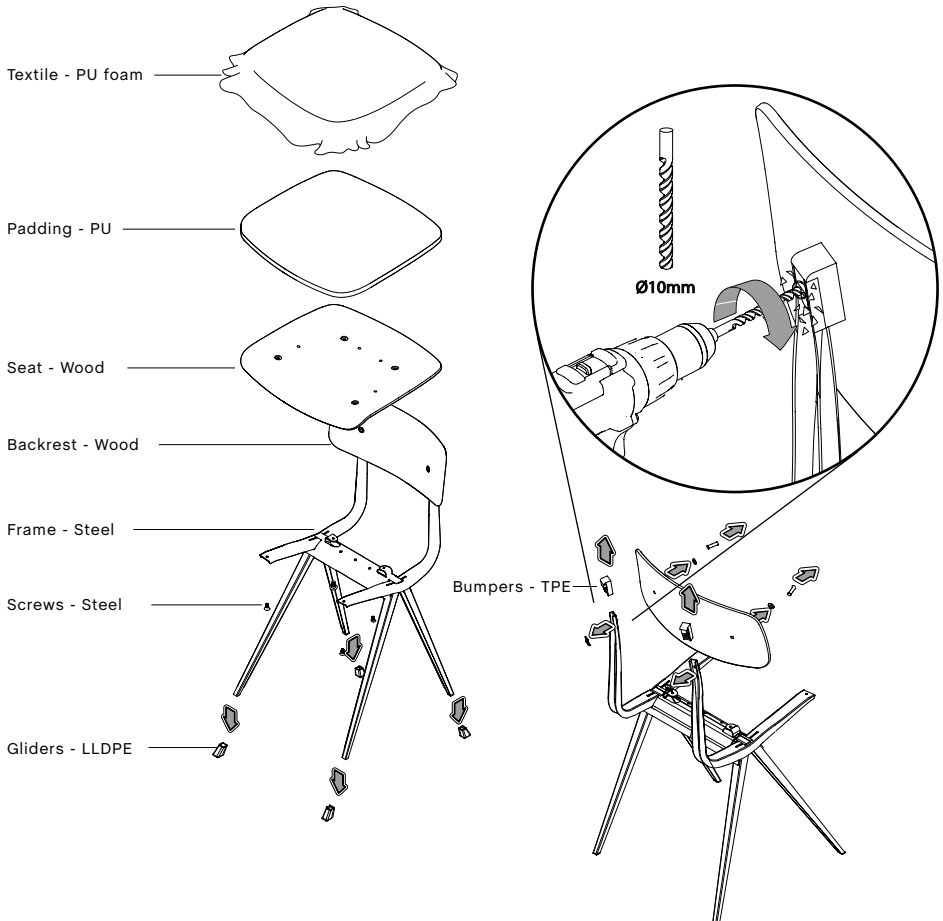
- RESULT CHAIR -

1. Hold the seat and backrest while unscrewing the rivets, using a power drill with a 10mm bit.
2. Remove the bumpers from the backrest posts and the gliders from the legs.



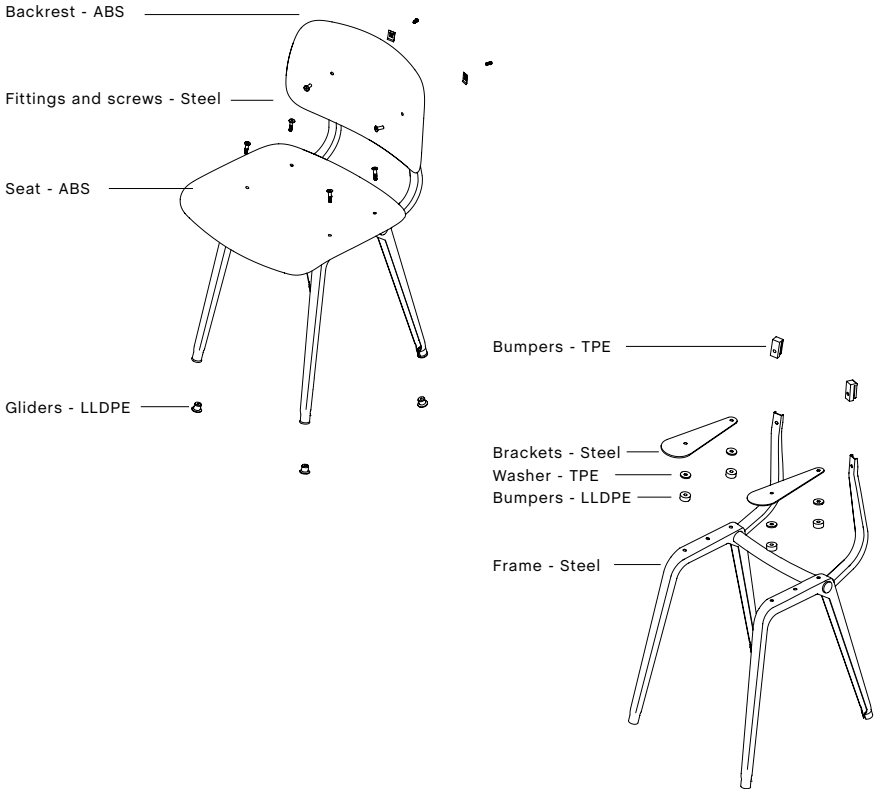
- RESULT CHAIR WITH UPHOLSTERY -

1. Unscrew the screws underneath the seat.
2. Remove the upholstery and the foam from the wooden shell.
3. Hold the seat and backrest while unscrewing the rivets, using a power drill with a 10mm bit.
4. Remove the bumpers from the backrest posts and the gliders from the legs.



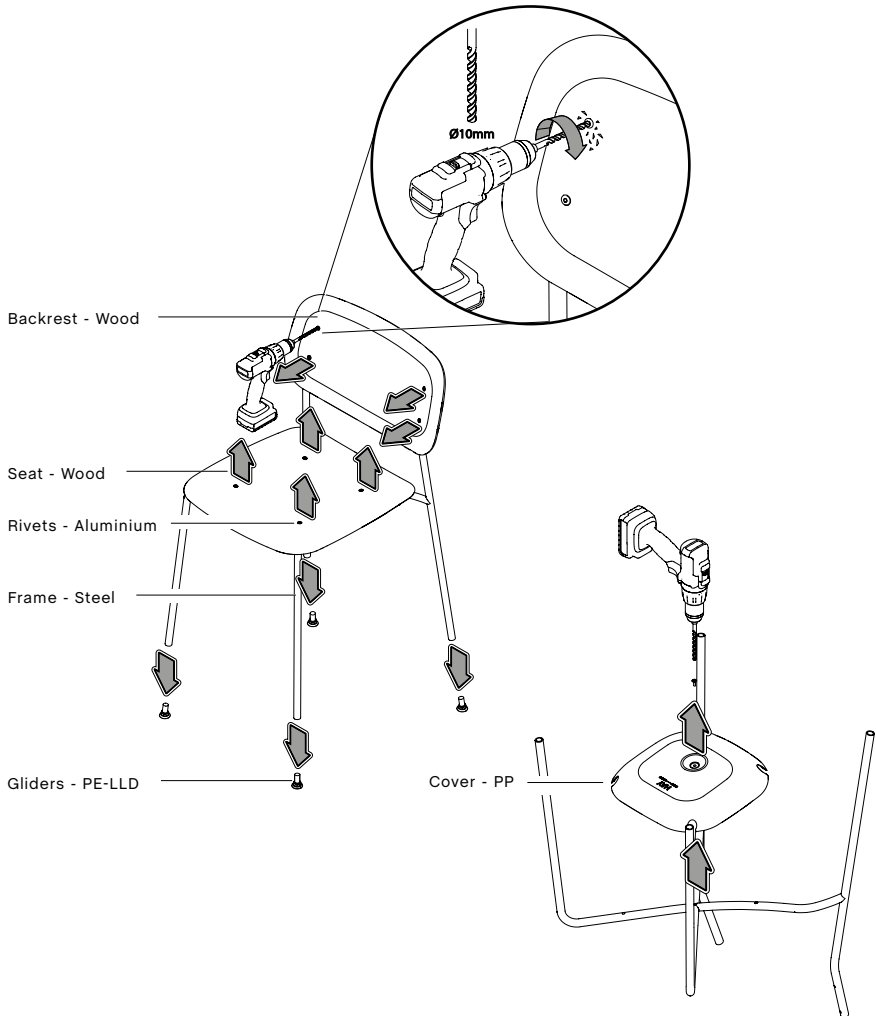
- REVOLT CHAIR -

1. Unscrew the screws holding the seat and backrest.
2. Remove the screws and fittings underneath the seat.
3. Pull the gliders out of the legs.



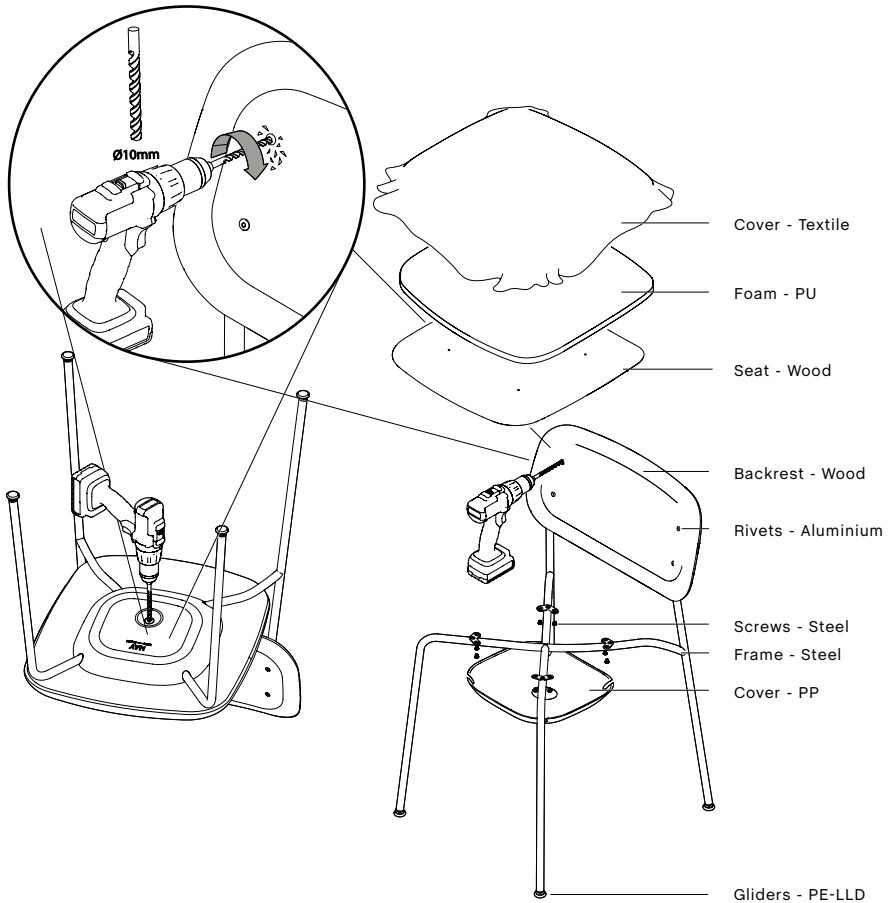
- SOFT EDGE 10 CHAIR -

1. Hold the seat and backrest while unscrewing the rivets, using a power drill with a 10mm bit.
2. Pull out the gliders from the legs.
3. Turn the chair upside down and drill out the rivets holding the cover.



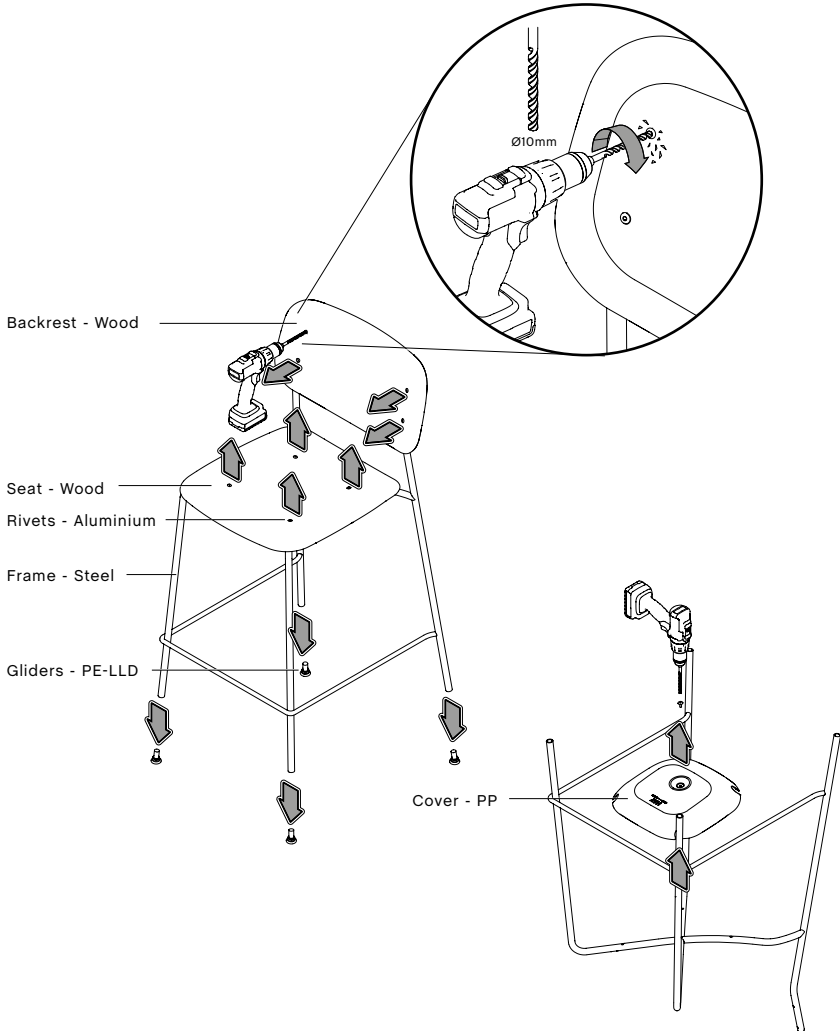
- SOFT EDGE 10 CHAIR WITH UPHOLSTERY -

1. Hold the seat and backrest while unscrewing the rivets, using a power drill with a 10mm bit.
2. Pull out the gliders from the legs.
3. Turn the chair upside down and drill out the rivets holding the cover.
4. Remove the upholstery and the foam from the wooden shell.



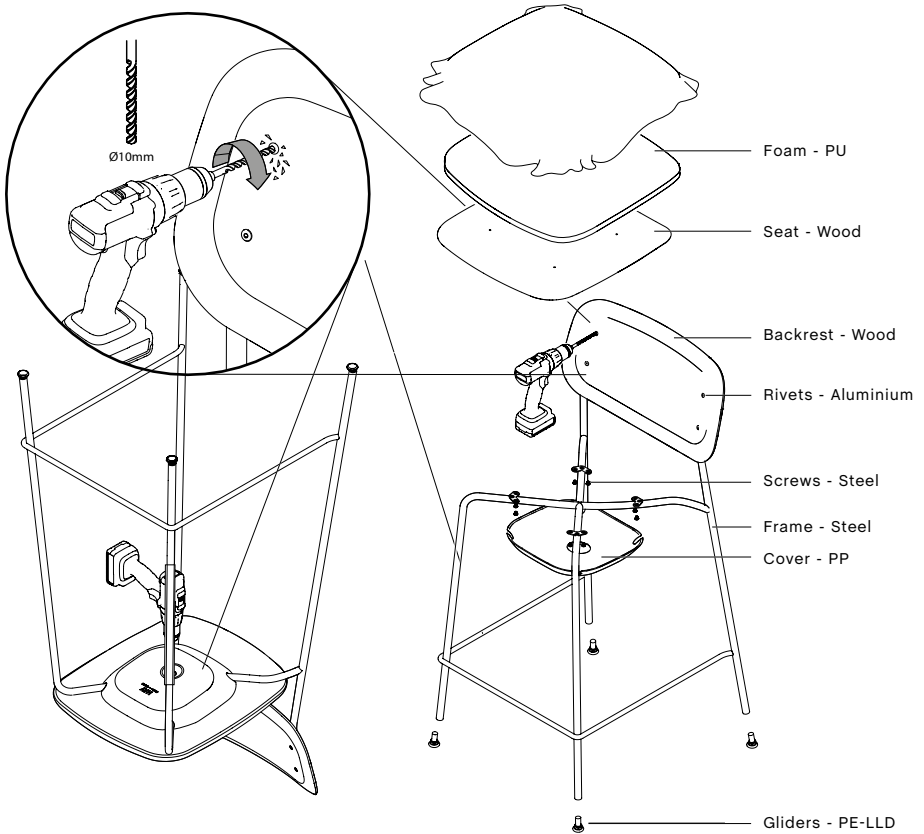
- SOFT EDGE 10 BAR STOOL -

1. Hold the seat and backrest while unscrewing the rivets, using a power drill with a 10mm bit.
2. Pull out the gliders from the legs.
3. Turn the bar stool upside down and drill out the rivets holding the cover.



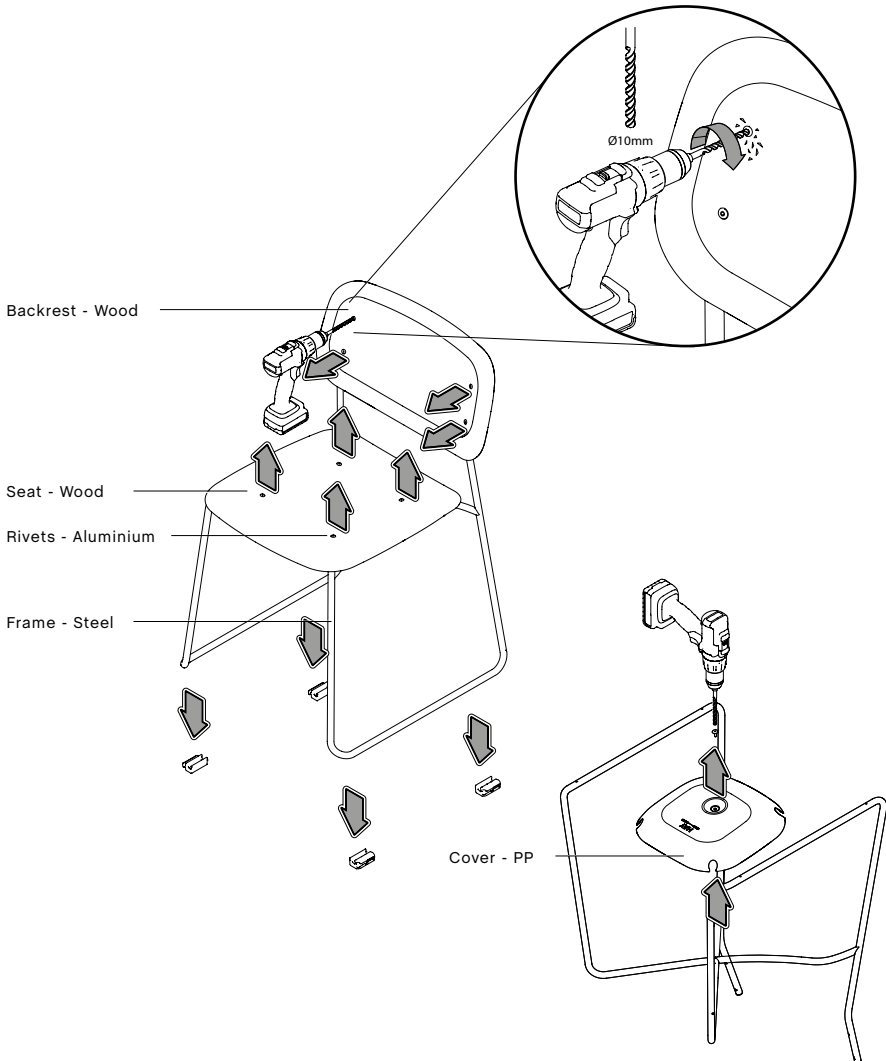
- SOFT EDGE 10 BAR STOOL WITH UPHOLSTERY -

1. Hold the seat and backrest while unscrewing the rivets, using a power drill with a 10mm bit.
2. Pull out the gliders from the legs.
3. Turn the bar stool upside down and drill out the rivets holding the cover.
4. Remove the upholstery and the foam from the wooden shell.



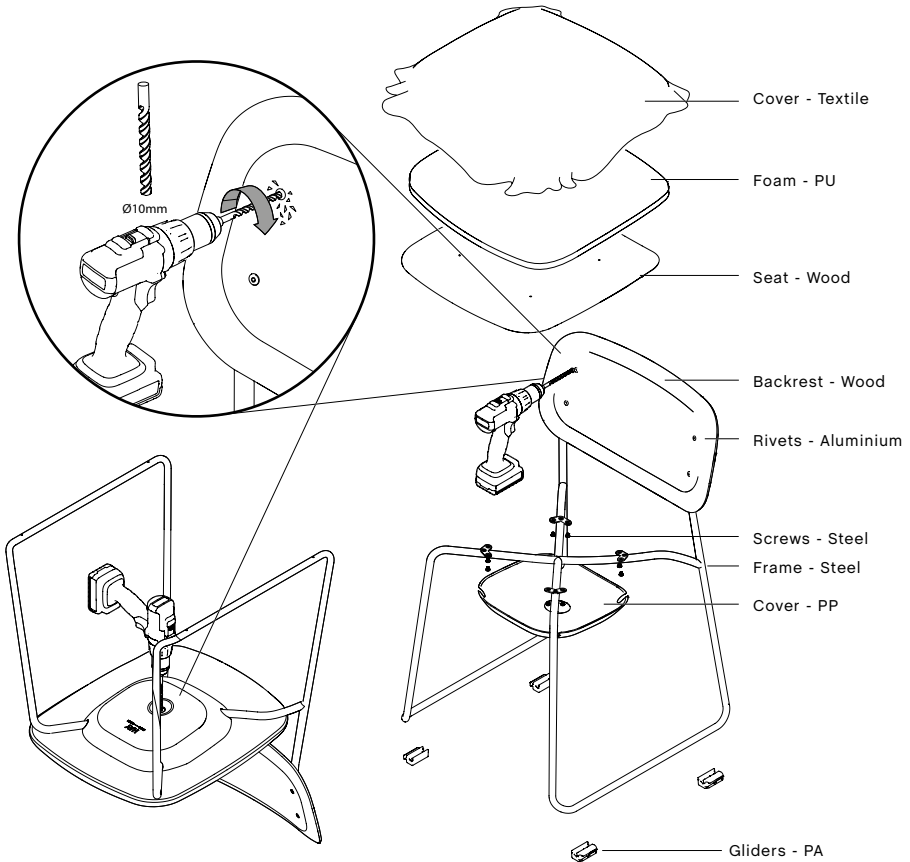
- SOFT EDGE 10 SLED -

1. Hold the seat and backrest while unscrewing the rivets, using a power drill with a 10mm bit.
2. Unscrew the gliders from the sled legs.
3. Turn the chair upside down and drill out the rivets holding the cover.



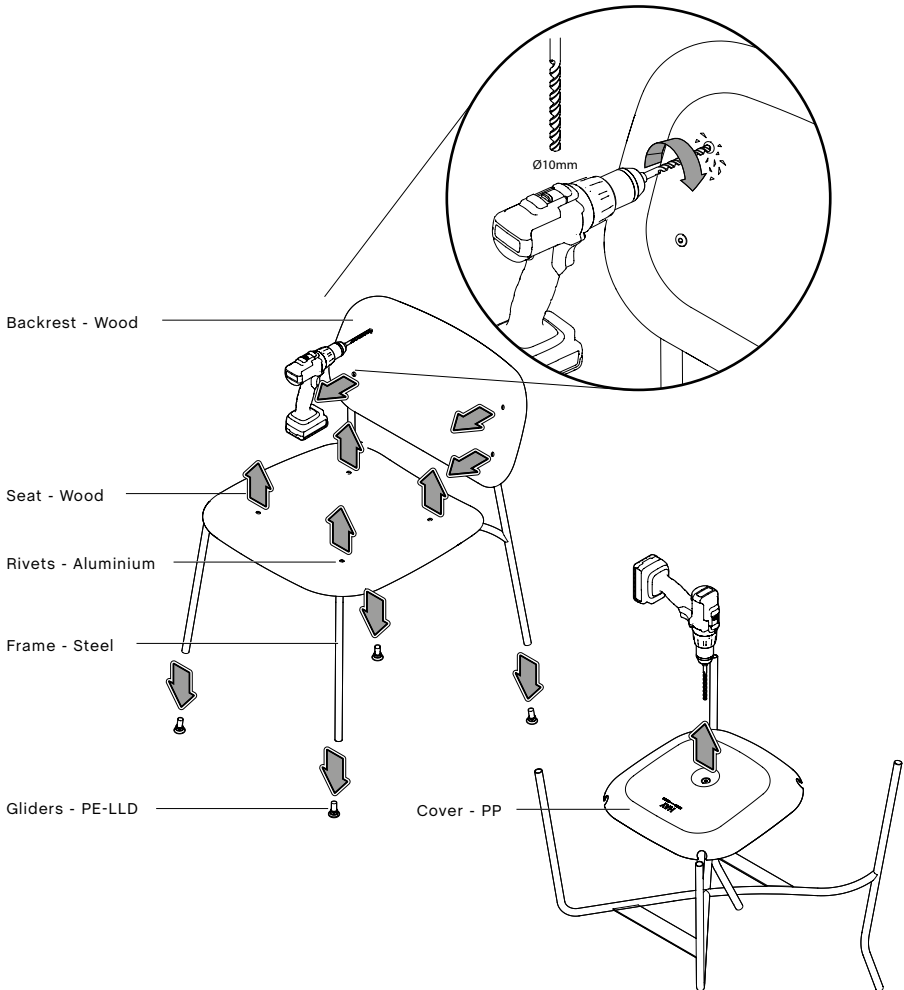
- SOFT EDGE 10 SLED WITH UPHOLSTERY -

1. Hold the seat and backrest while unscrewing the rivets, using a power drill with a 10mm bit.
2. Unscrew the gliders from the sled legs.
3. Turn the chair upside down and drill out the rivets holding the cover.
4. Remove the upholstery and the foam from the wooden shell.



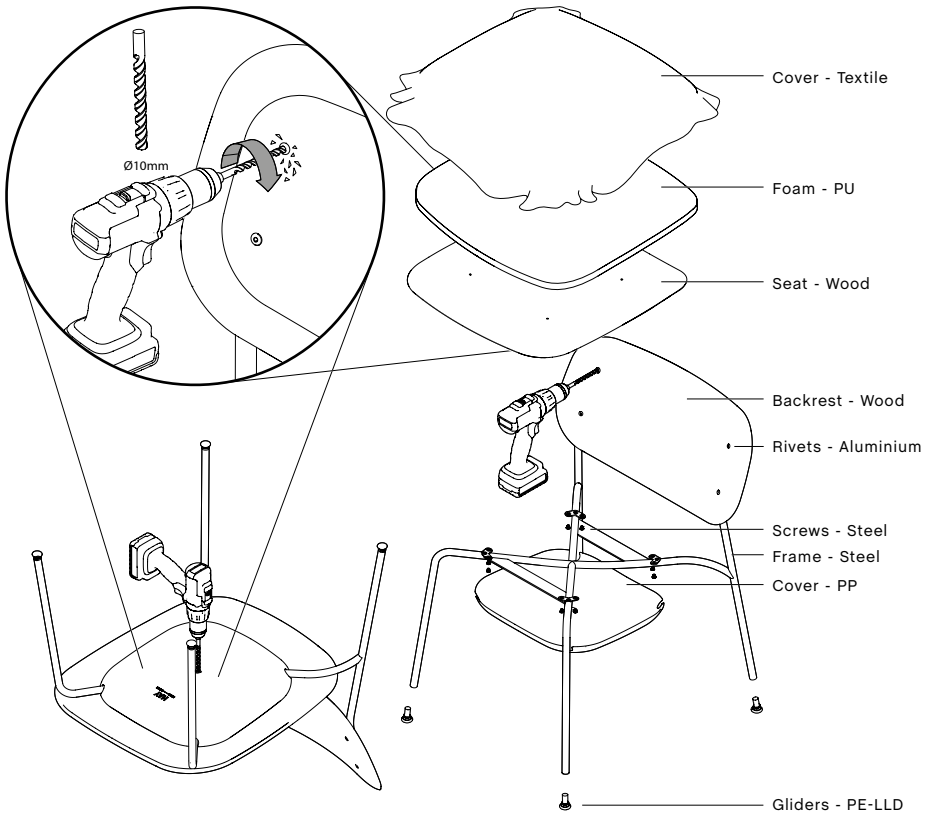
- SOFT EDGE 10 LOUNGE -

1. Hold the seat and backrest while unscrewing the rivets, using a power drill with a 10mm bit.
2. Pull out the gliders from the legs.
3. Turn the chair upside down and drill out the rivets holding the cover.



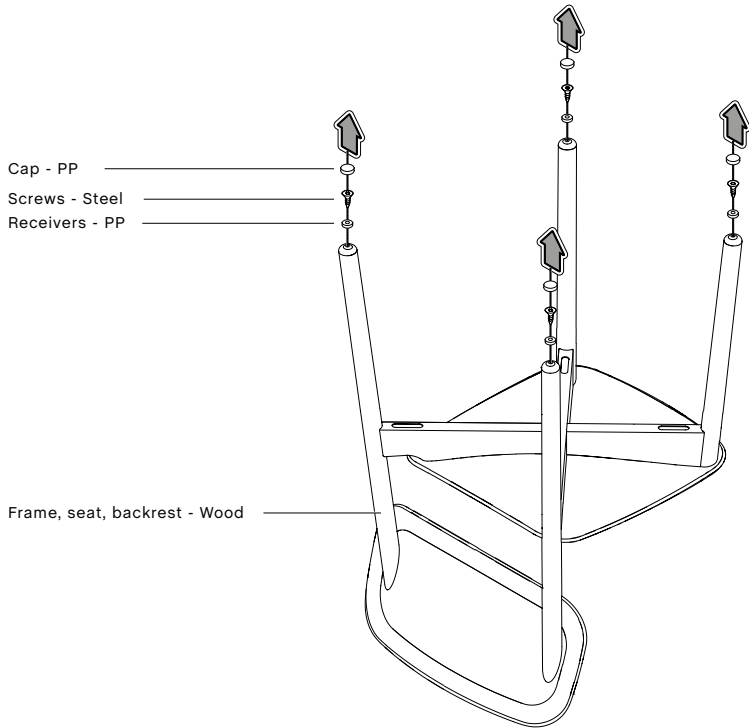
- SOFT EDGE 10 LOUNGE WITH UPHOLSTERY -

1. Hold the seat and backrest while unscrewing the rivets, using a power drill with a 10mm bit.
2. Pull out the gliders from the legs.
3. Turn the chair upside down and drill out the rivets holding the cover.
4. Remove the upholstery and the foam from the wooden shell.



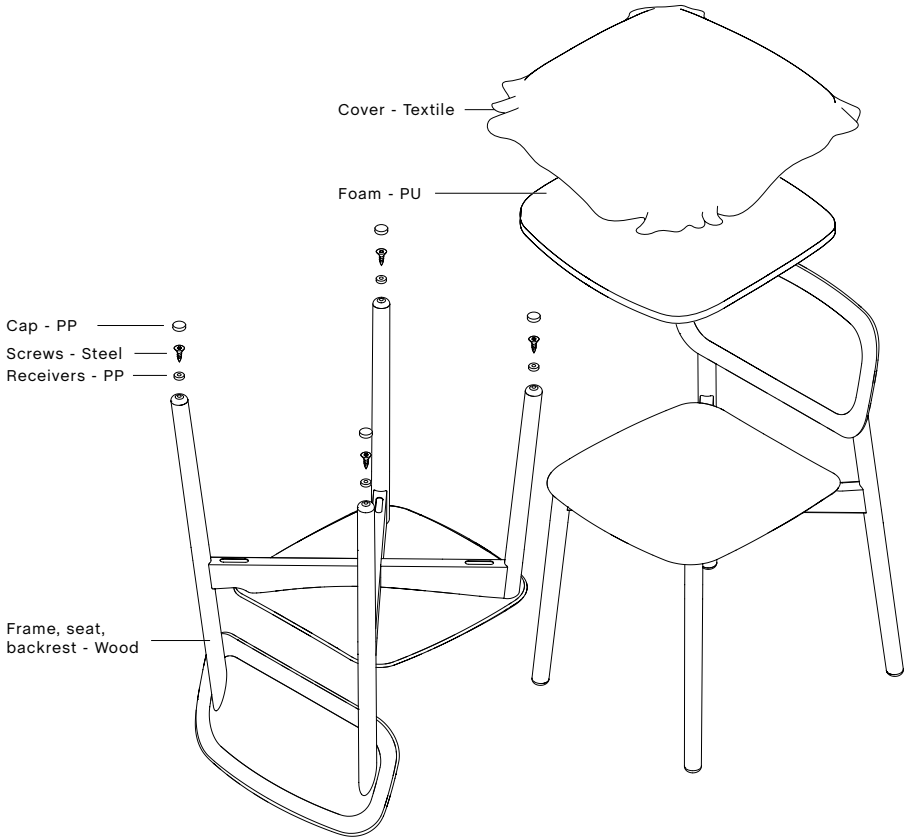
- SOFT EDGE 12 CHAIR -

1. Turn the chair upside down.
2. Remove the cap from the gliders.
3. Unscrew the screw and remove the gliders' receivers.



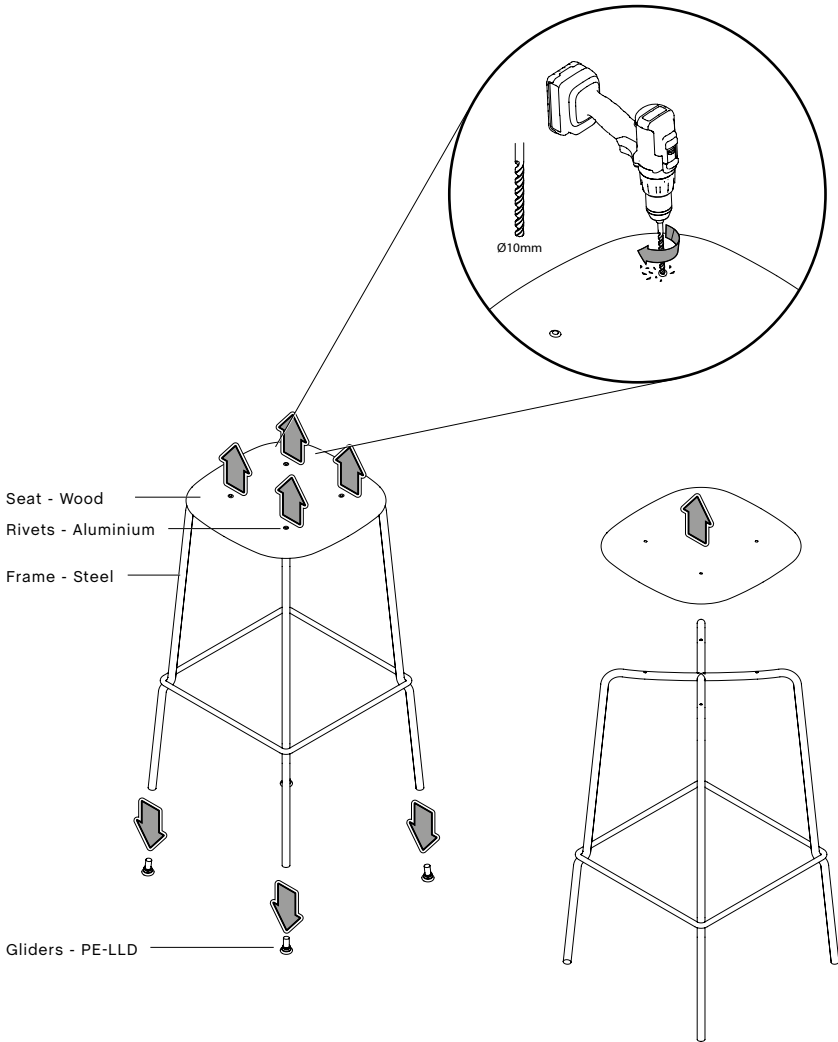
- SOFT EDGE 12 CHAIR WITH UPHOLSTERY -

1. Turn the chair upside down.
2. Remove the cap from the gliders.
3. Unscrew the screw and remove the gliders' receivers.
4. Remove the upholstery and the foam from the wooden shell.



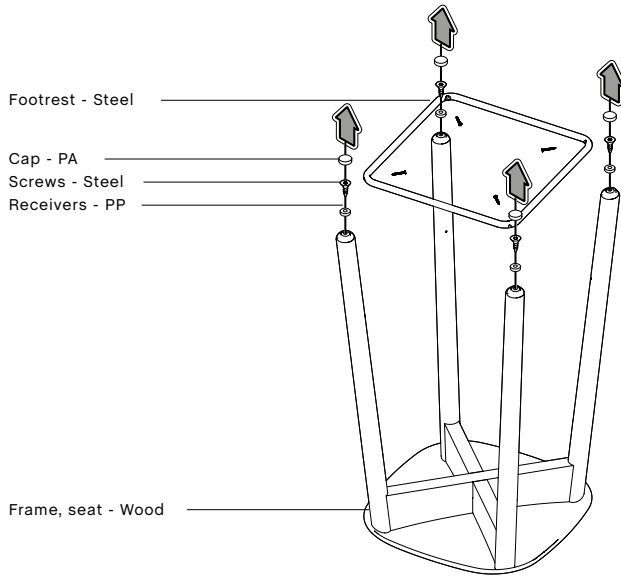
- SOFT EDGE 30 BAR STOOL -

1. Hold the seat while unscrewing the rivets, using a power drill with a 10mm bit.
2. Pull out the gliders from the legs.
3. Turn the stool upside down and drill out the rivets holding the cover.



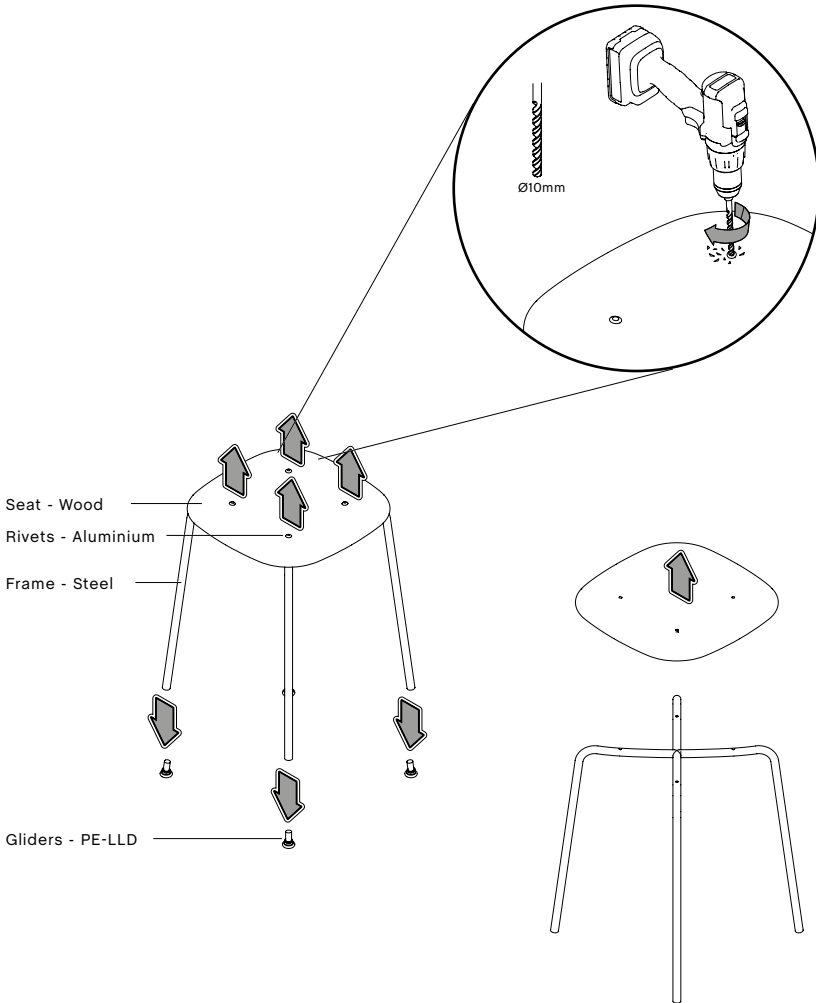
- SOFT EDGE 32 BAR STOOL -

1. Turn the bar stool upside down.
2. Remove the cap from the gliders.
3. Unscrew the screw and remove the gliders' receivers.
4. Unscrew the screws holding the footrest and remove it.



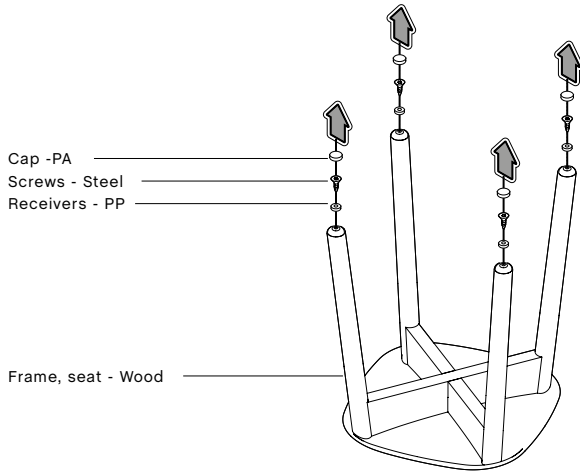
- SOFT EDGE 70 STOOL -

1. Hold the seat while unscrewing the rivets, using a power drill with a 10mm bit.
2. Pull out the gliders from the legs.
3. Turn the chair upside down and drill out the rivets holding the cover.



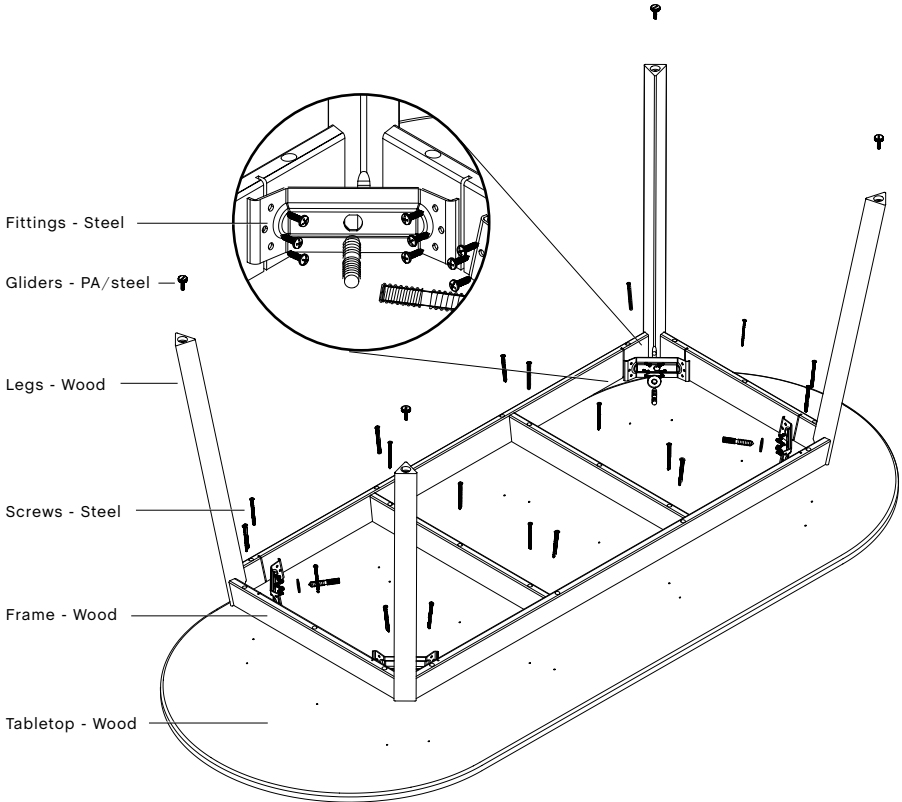
- SOFT EDGE 72 STOOL -

1. Turn the stool upside down.
2. Remove the cap from the gliders.
3. Unscrew the screw and remove the gliders' receivers.



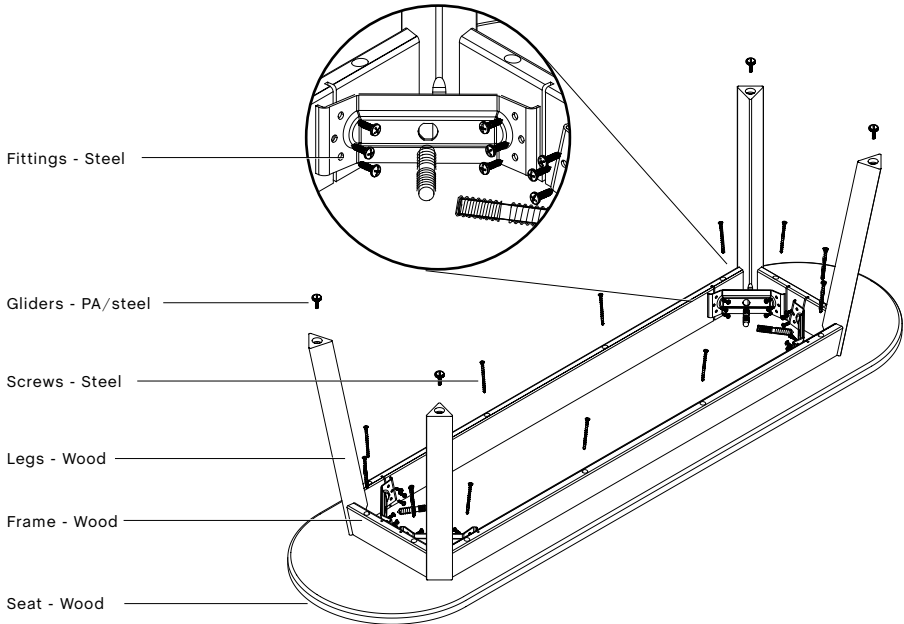
- TRIANGLE LEG TABLE -

1. Turn the table upside down.
2. Unscrew the bolts holding the legs.
3. Unscrew the feet and the tapping screw in the top of the leg.
4. Unscrew all the screws to separate the frame from the table.



- TRIANGLE LEG BENCH -

1. Turn the bench upside down
2. Unscrew the bolts holding the legs.
3. Unscrew the feet and the tapping screw in the top of the leg.
4. Unscrew all the screws to separate the frame from the bench.
5. Unscrew the screws holding the brackets in each corner.



Havnen 1 8700 Horsens Denmark
+45 4282 0282 / hay@hay.com

9/03/2021

HAY