



Description

The Memory collection awakens the imagination and beckons back to a carefree childhood. The wall and ceiling versions in different sizes, the wide range of color options, and a selection of finishes give this lighting experience a large degree of versatility.



Tech. description The light consists of a metal ceiling mount with E27 light source socket and a glass shade with bayonet system. The E27 socket has an integrated switch for manual control.

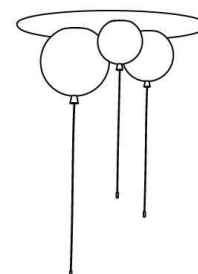
Colours options: https://brokis.sharepoint.com/:b:/s/brokis_sp/EYzVUNSc4gNlv3y2PeoFxxUBZsWmDnDDI5qaIGZTZ-9X-w

CONSTRUCTION SPECIFICATION

Weight:	18 kg
Construction material:	glass, metal, MDF
Cord length [mm]:	-
Mounting:	Ceiling
Environment:	Indoor

DIMENSIONS [mm]

1100 x 440



ELECTRICAL SPECIFICATION

Input voltage [V]:	230 V
Frequency [Hz]:	50-60 Hz
Max. power [W]:	3 x 60 W
Coverage IP:	20
Socket:	3 x E27
Light source:	-
Energy class:	A+ to E depending on light source

CERTIFICATIONS



DATASHEET

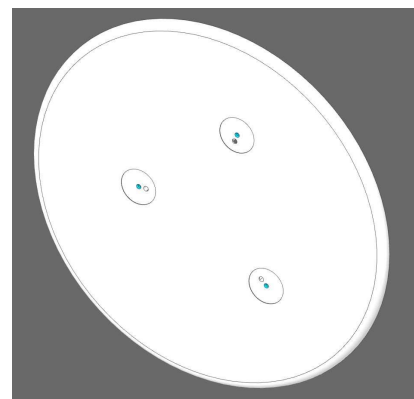
RECOMENDED CANOPY



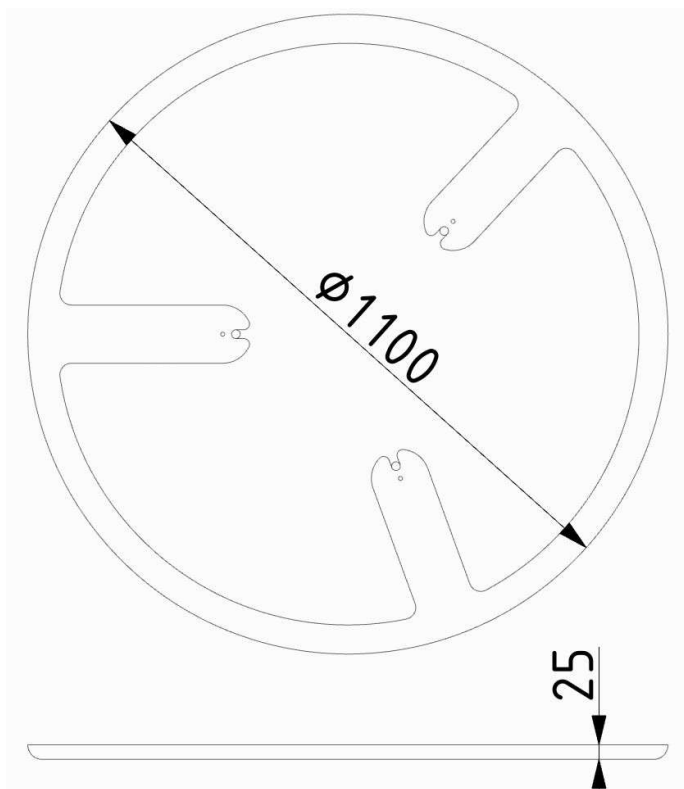
Download

CEILING CANOPY

Dimensions $\text{O} \times \text{w}$ [mm]	1100 x 25 mm
Weight [kg]	7.6 kg
Material	MDF



Drawing



Canopy bracket

