

- INSTRUCTION MANUAL -

# CORNET BAR STOOL

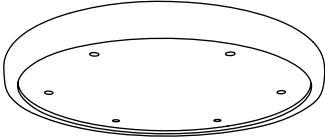


DESIGN BY JONAS TRAMPEDACH

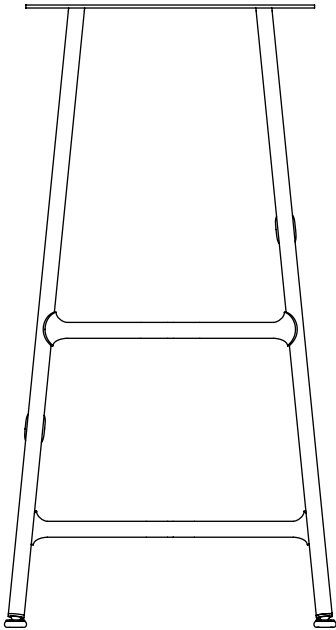
# HAY



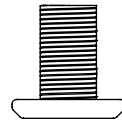
- PARTS -



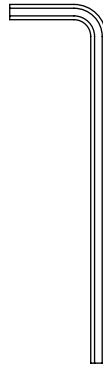
**A** Seat x1



**B** Base x1

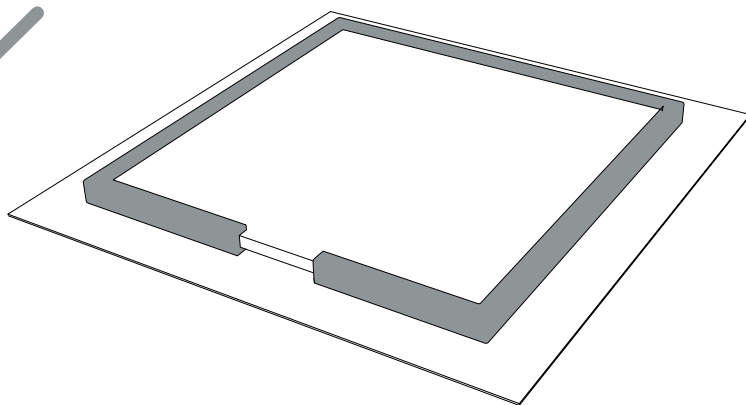
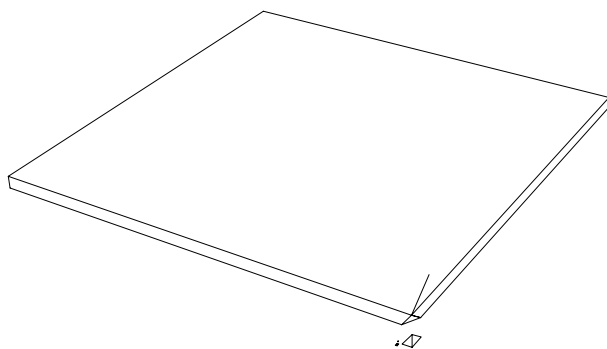


**C** Screw x6



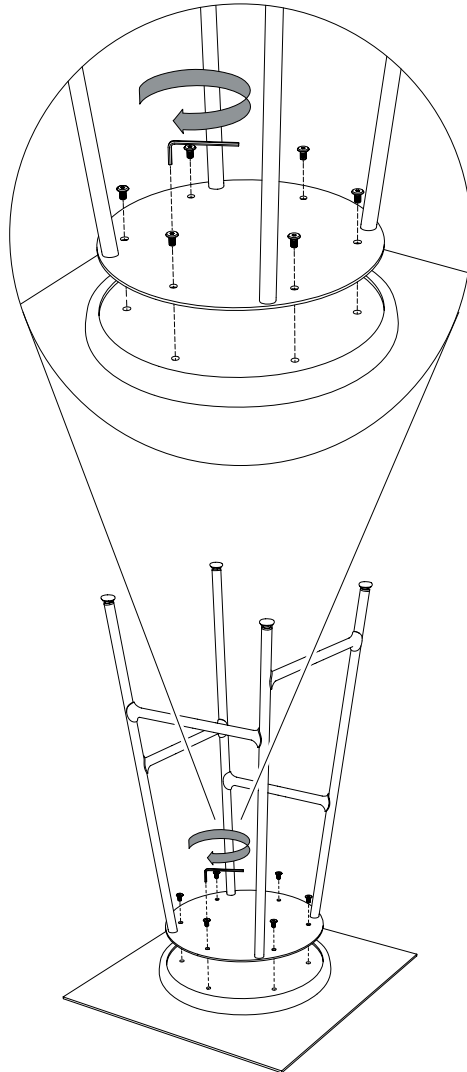
**D** Allen key x1

Protect the stool from scratches and other damage while assembling.



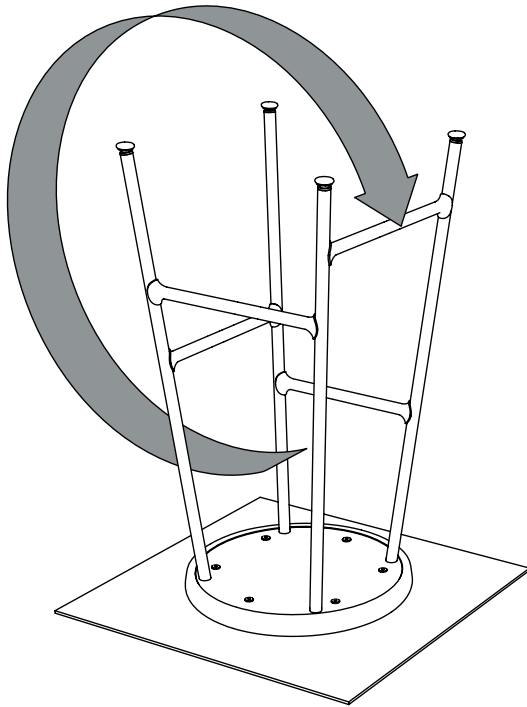
1.

Place the seat upside down, with the holes facing upwards. Fasten the seat to the frame by inserting part **C** through part **B** and into part **A**, as indicated. Tighten the screws with the Allen key **D**. We recommend retightening the screws after one month of use and whenever needed.



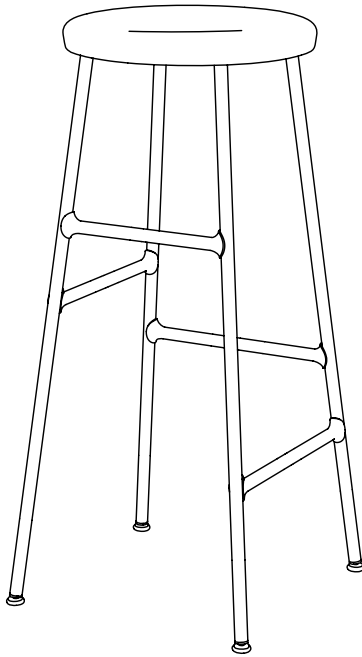
2.

Lift the stool up and turn it 180° into a standing position. Make sure all screws are completely tightened.



3.

Done!



- CARE & MAINTENANCE -

Our Care & Maintenance offers guidance for optimal maintenance of your HAY product. It includes advice and instructions on cleaning and caring for specific materials to prolong the life of your furniture.



Please find our Care & Maintenance guide by scanning the QR code

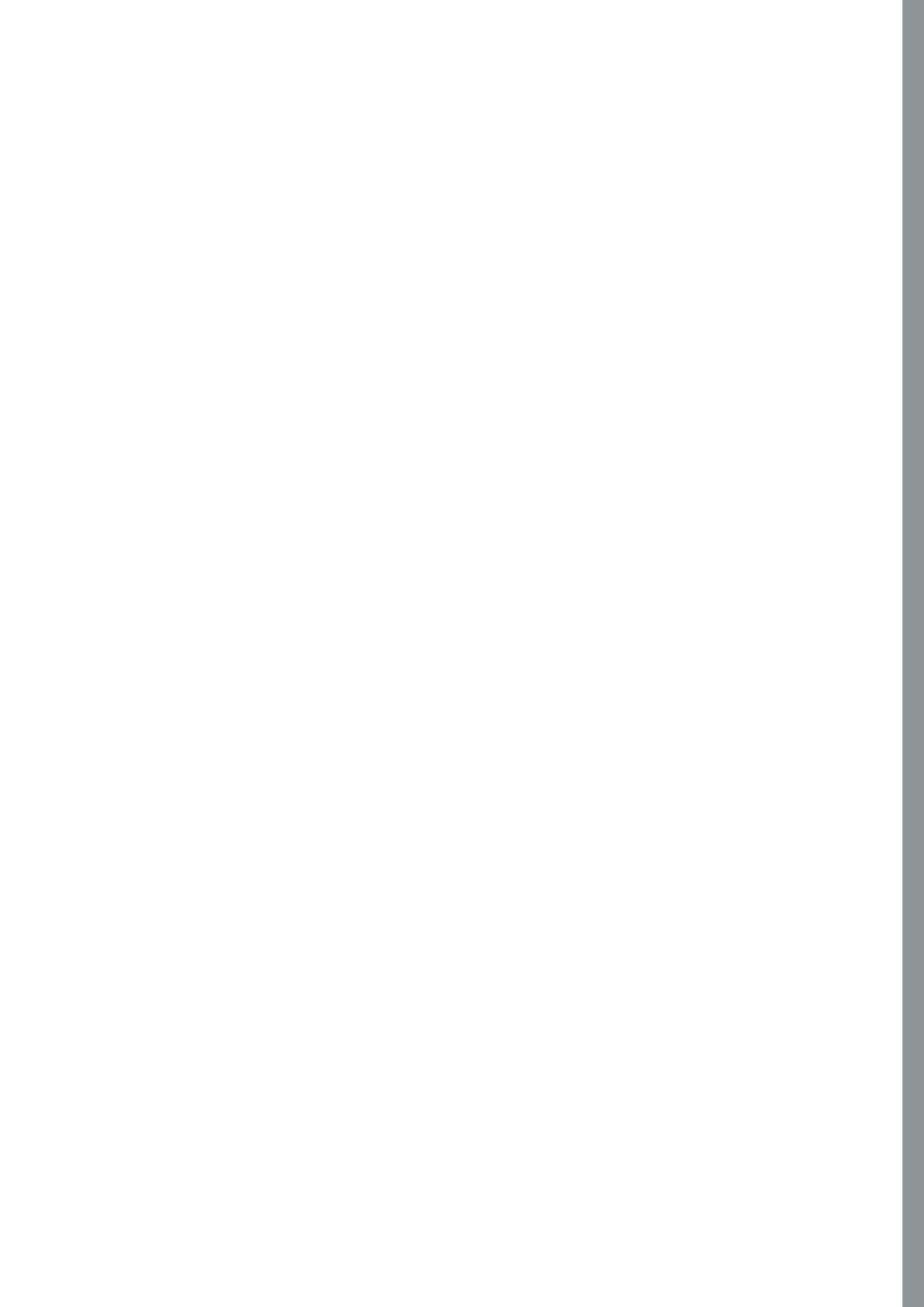


You can find more relevant information on Cornet Bar Stool by scanning the QR code

You can also find the same information here  
[hay.dk/downloads](http://hay.dk/downloads)









Havnen 1 8700 Horsens Denmark  
+45 4282 0282 / hay@hay.com

[www.hay.com](http://www.hay.com)

22/12/2021

**HAY**