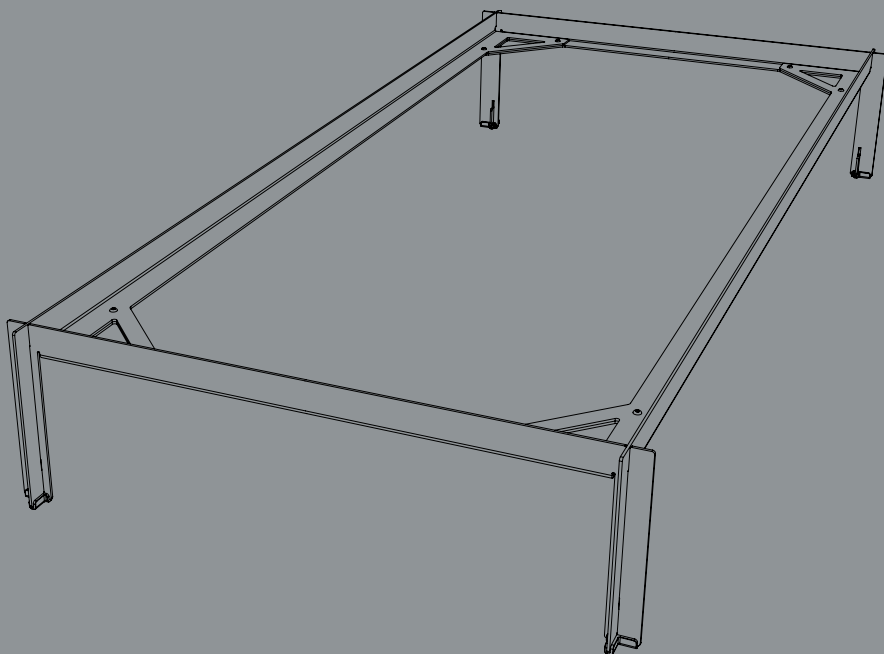


- INSTRUCTION MANUAL -

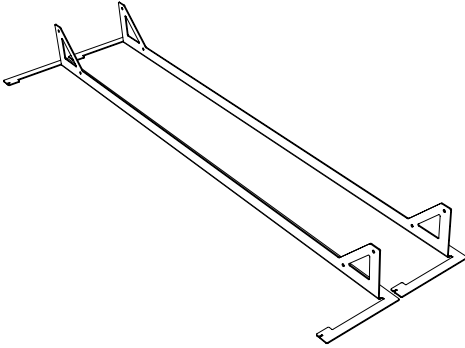
CONNECT BED



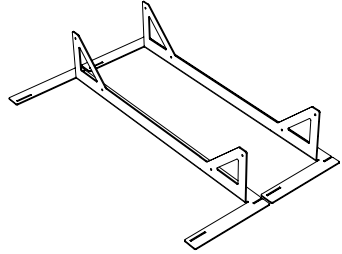
DESIGN BY LEIF JØRGENSEN

HAY

- PARTS -



A Frame profile x2



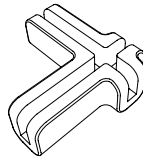
B Frame profile x2



C Support bar x2
(Only with 160x200
and 180x200)



D Screw x13



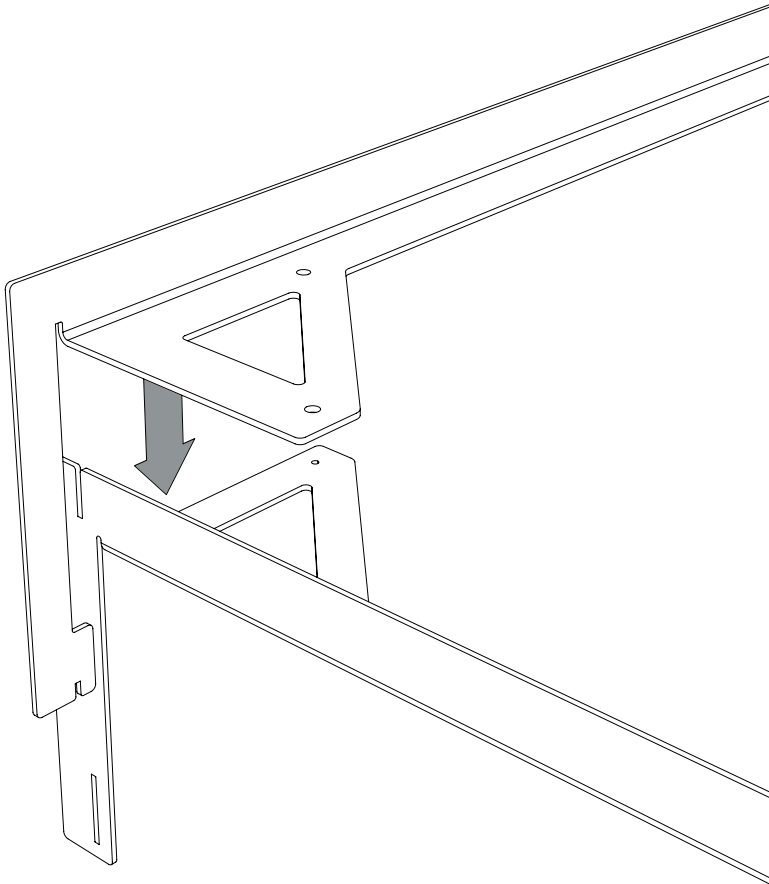
D Feet x4



E Allen key x1

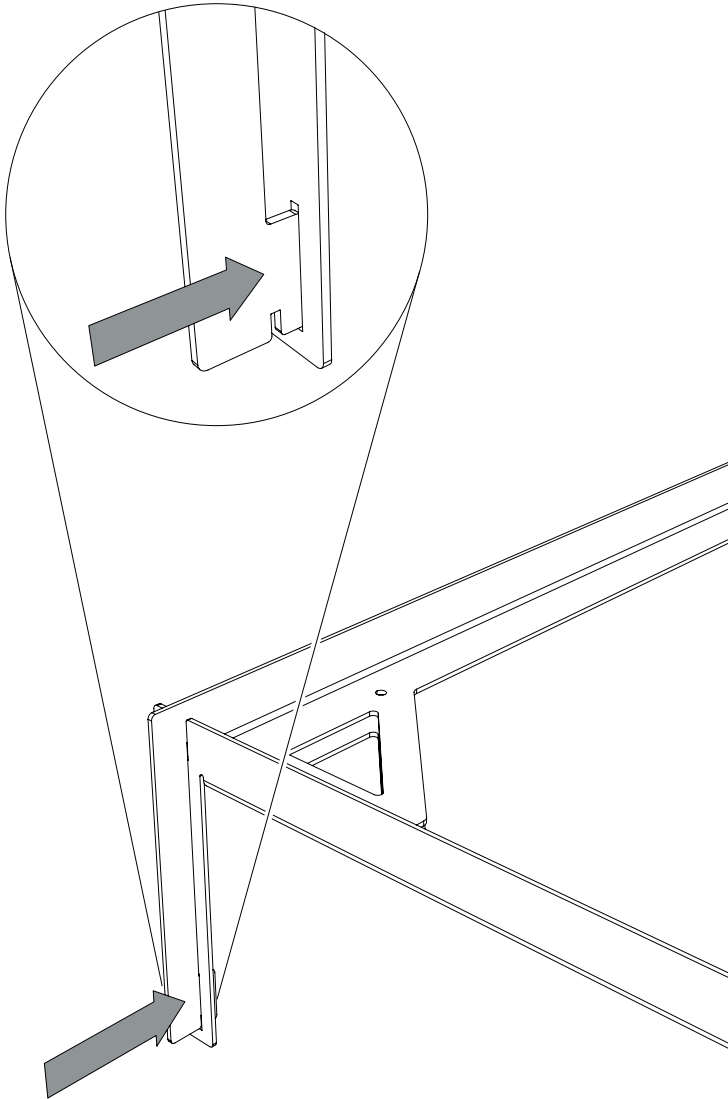
1.

Place the corner of profile **A** on top of the corner of profile **B**.



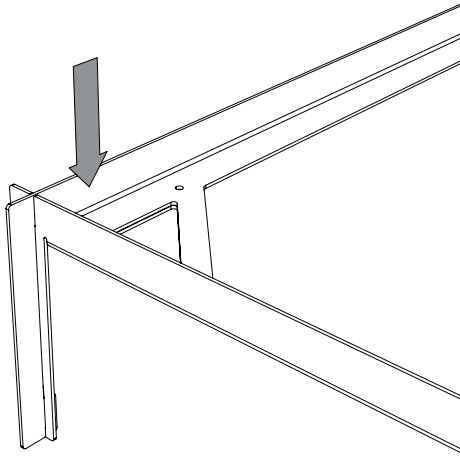
2.

Rotate the leg of profile **A** into the hole in the leg of profile **B**.



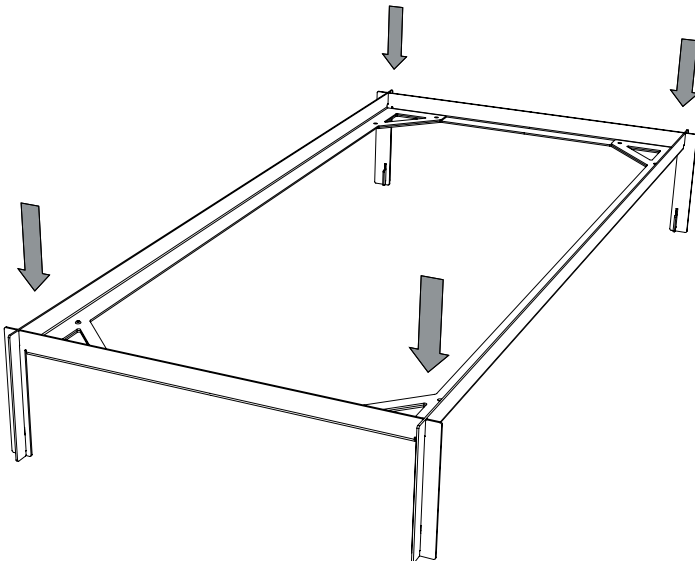
3.

Push down on profile **A** until the two are flush with each other.



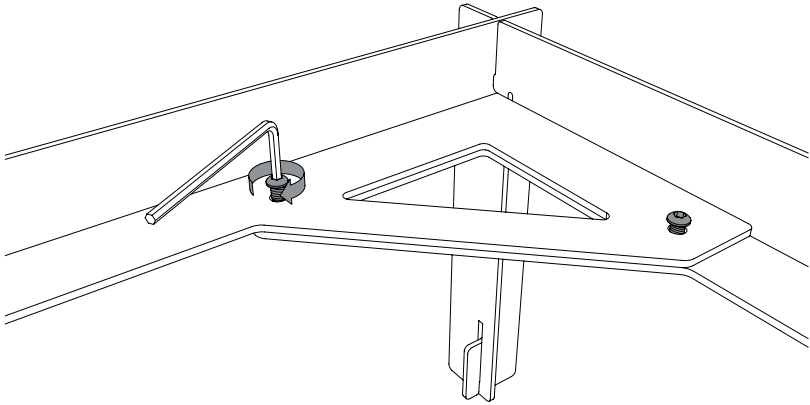
4.

Repeat steps 2 and 3 for all four corners.



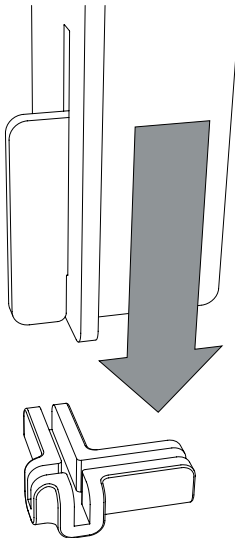
5.

Screw in the screws **D** with the supplied Allen key.
Do not fully tighten each bolt until all parts are assembled in the right position.



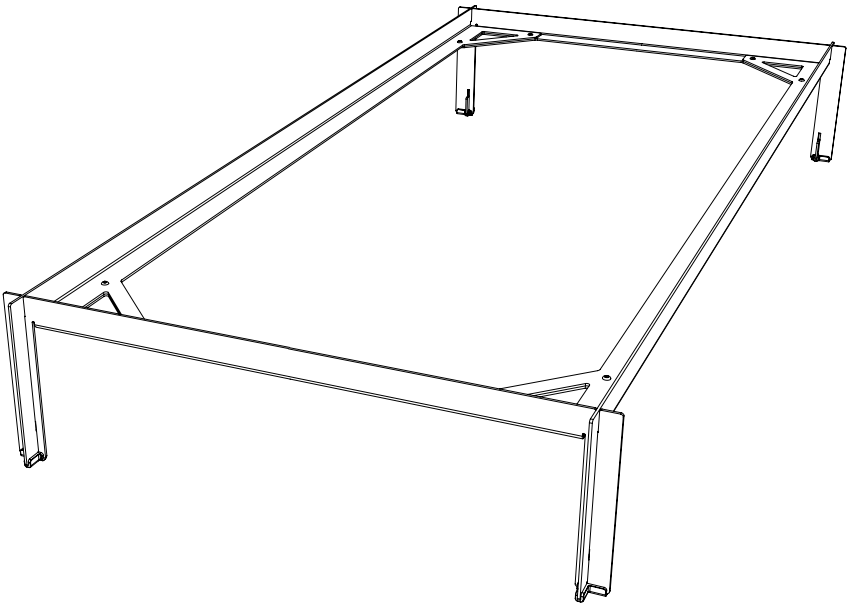
6.

Attach feet **E** and make sure that the profiles reach all the way down to the bottom



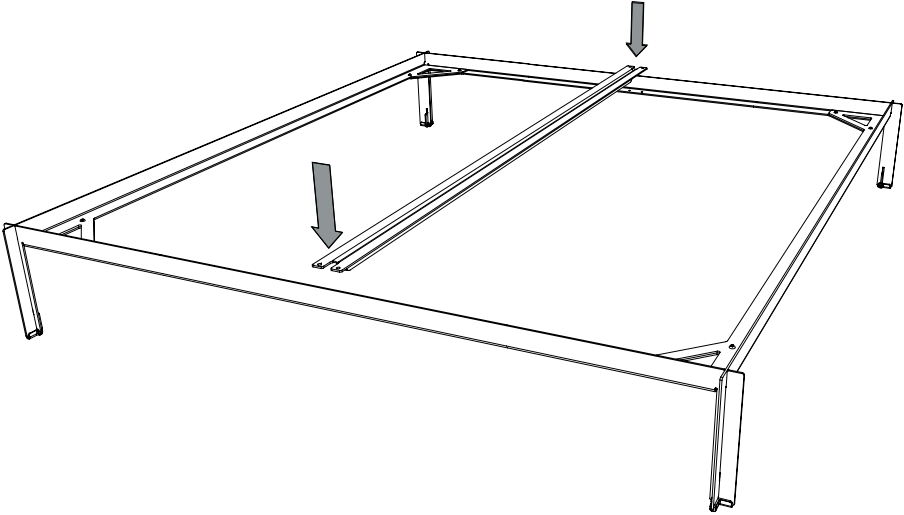
7.

Done!



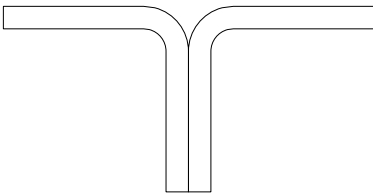
8.

For the 160 x 200 and the 180 x 200 version of the Connect Bed,
2 x Support bars **C** are included.

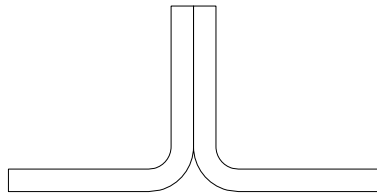


9.

Depending on your mattress, you have two options for placing the
2 x Support bars **C**.



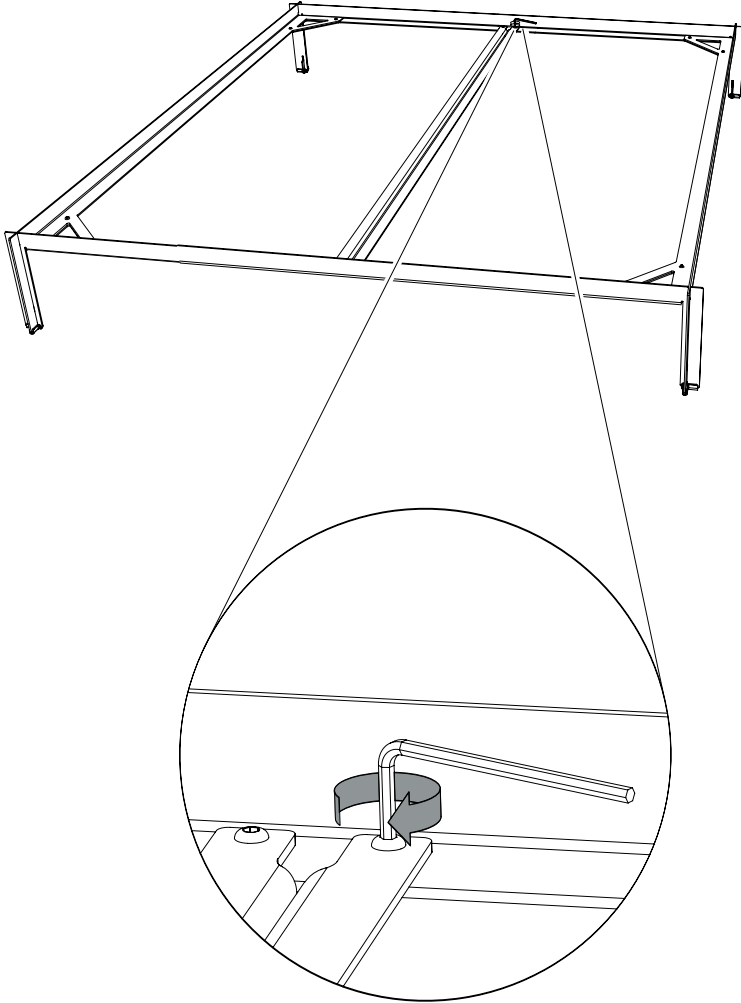
For a single box mattress, place
the 2 x support bars **C** pointing
downwards.



For a two-mattress set-up place
the 2 x support bars **C** pointing
upwards.

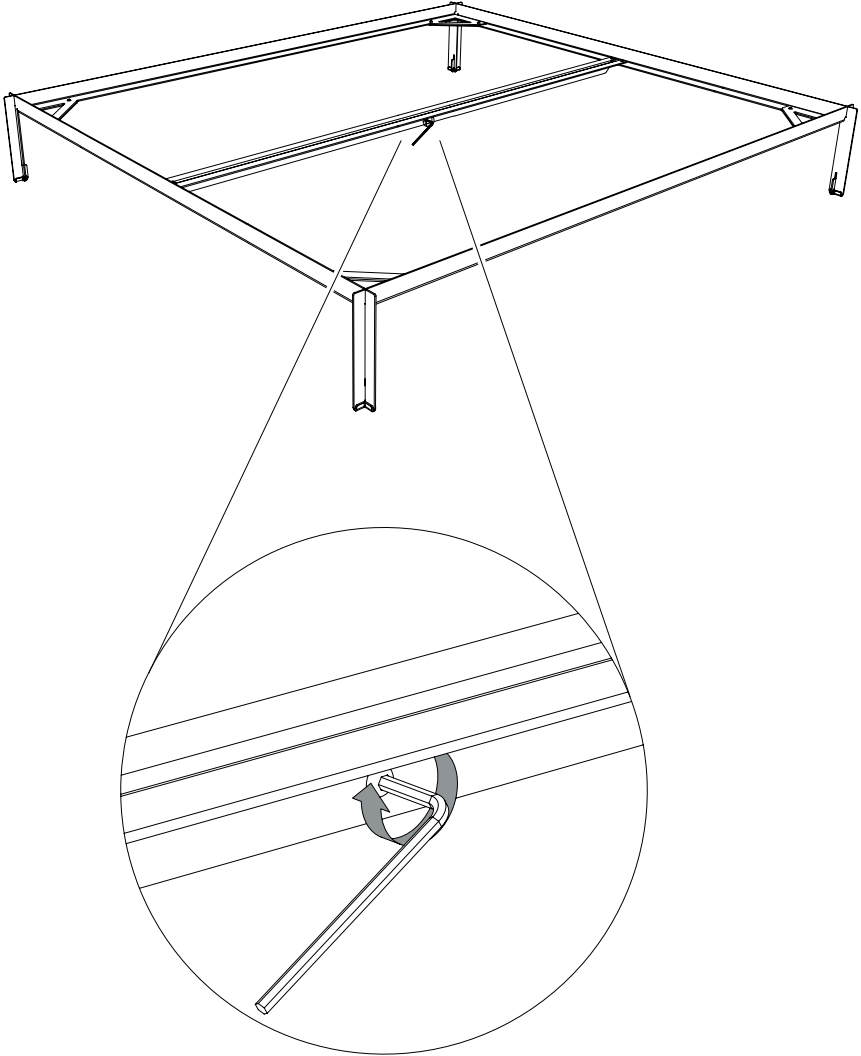
10.

Align the support bars **C** with the holes in the profiles **B** and secure them with the screws **D**, using the supplied Allen key.



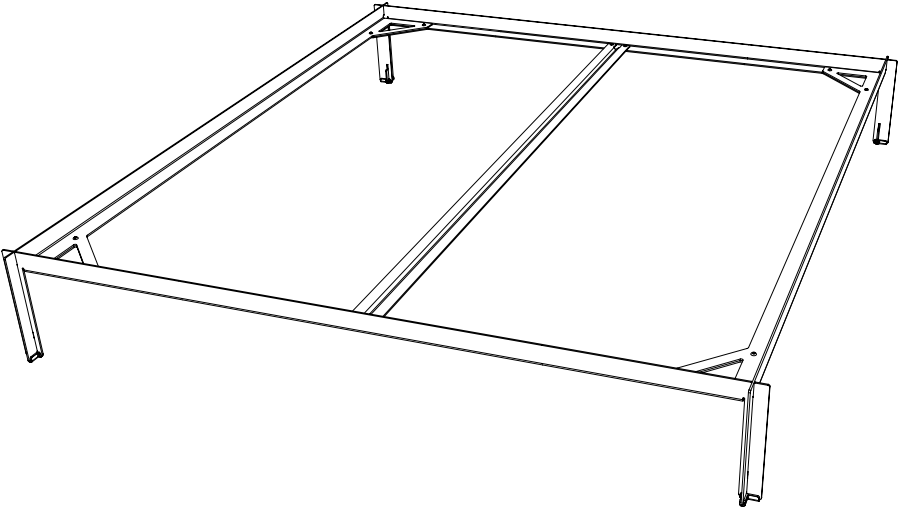
11.

Connect the 2 x Support bars **C** in the middle using the screw **D**.



12.

Done!



- CARE & MAINTENANCE -

Our Care & Maintenance offers guidance for optimal maintenance of your HAY product. It includes advice and instructions on cleaning and caring for specific materials to prolong the life of your furniture.

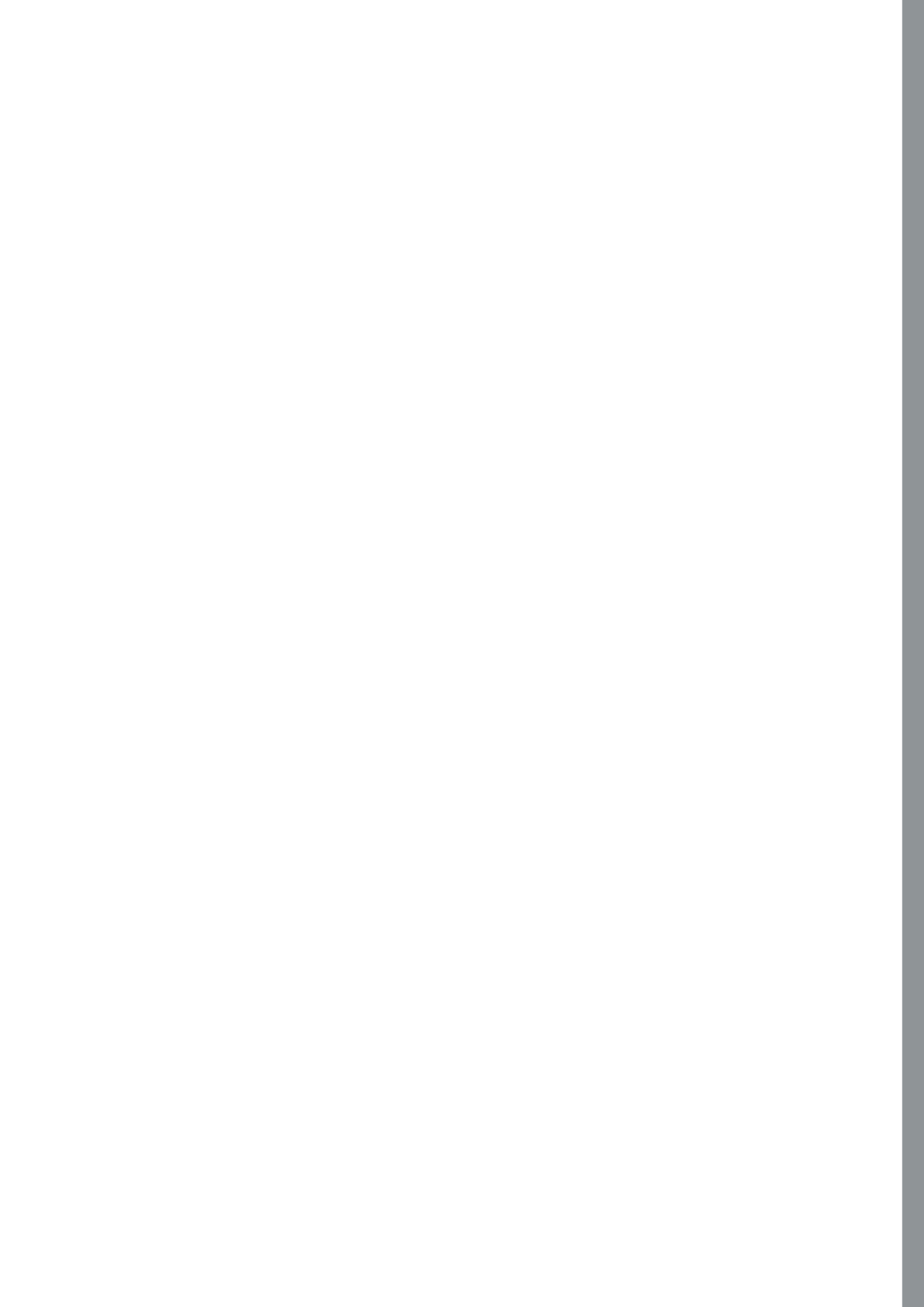


Please find our Care & Maintenance guide by scanning the QR code



You can find more relevant information on Connect Bed by scanning the QR code

You can also find the same information here
hay.dk/downloads



Havnen 1 8700 Horsens Denmark
+45 4282 0282 / hay@hay.com

www.hay.com

22/12/2021

HAY