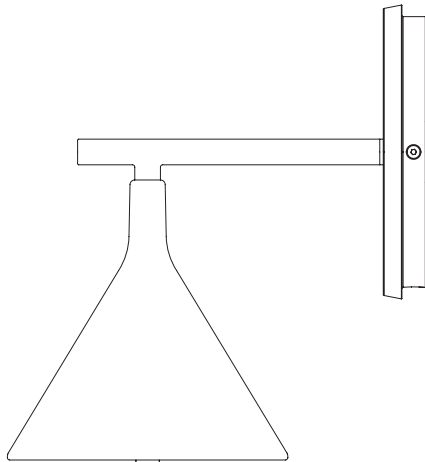


Cast Sconce Wall Lamp

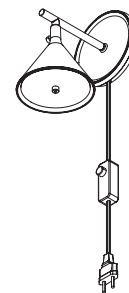
by Tom Chung & Jordan Murphy



Congratulations with your new Cast Sconce Wall Lamp by Tom Chung & Jordan Murphy. We hope you will enjoy using it.

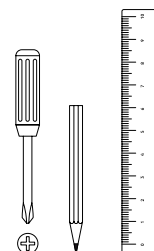
Please follow these instructions carefully to ensure the safe and correct installation of your new lamp.

COMPONENT OVERVIEW



1 x Lamp

TOOLS NEEDED



TECHNICAL SPECIFICATIONS

TECHNICAL DETAILS

Plug: CE certified plug
Cord: VDE certified cord

LIGHTSOURCE DETAILS:

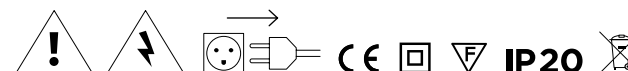
LED PC board
Watt: 3.6 W
Lumen output: 180 Lumen
efficiency: 50 Lm / W
Color temperature: 2700 K
CRI: > 80
Energetic class: G

THE LAMP RANGE IS TESTED ACCORDING TO

Ceiling / Pendant lamp: EN 60598-2-1
Bulb: EN 62560
EMC: EN 55015, EN 61547, EN 61000-3-2, EN 61000-3-3
The lamp conforms to IP20.

DIMMER INCLUDED

If installed hardwired you need to use a TRIAC dimmer.



NOTE

Contact a qualified electrician if you experience any issues during installation. The external cable cannot be replaced. If damaged, it must be replaced only by the manufacturer, their service agent or another qualified individual.

WARNING

Improper installation, adjustment, alteration, service, maintenance or use can cause personal injury or property damage.

Before installing, always turn off the power for the circuit.

The lamp is unable to be adjusted once mounted. Please ensure the correct shade angle before attaching to a wall.

To adjust the shade without damaging the lead, unscrew the cord and position the shade to the desired angle before reattaching the lead to the back of the lamp. It is now ready to be mounted.

CAUTION

Keep this product and its packaging out of children's reach.

DISPOSAL

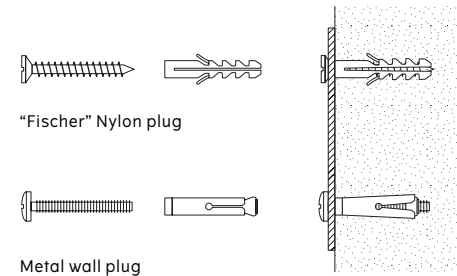
At the end of its life, dispose of this lamp in the correct waste bin or at a recycling station. Do not discard as household waste. Your local authority can provide further information on where and how it can be disposed of.

The EU Waste from Electrical and Electronic Equipment (WEEE) Directive 2005 encourages the recycling of this item.

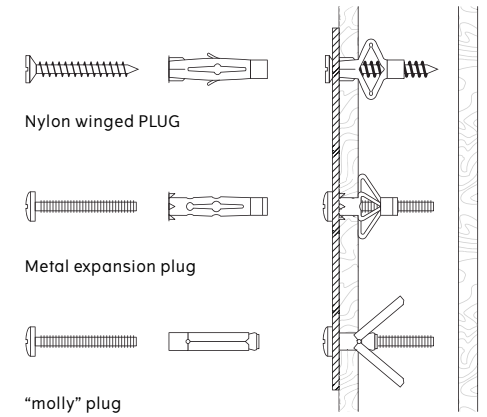
IMPORTANT INFORMATION

Due to the wide diversity of wall or partition types, we cannot provide you with suitable attachment fixtures. To determine which attachment fixtures to use, you will need to identify the type of wall to which you will be fixing this product. Here are some examples of attachment fixtures recommended for:

BLIND WALLS

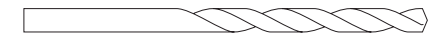


STUDDED WALLS



DRILL

Use a drill bit that is compatible in size with the hardware used and the type of wall.

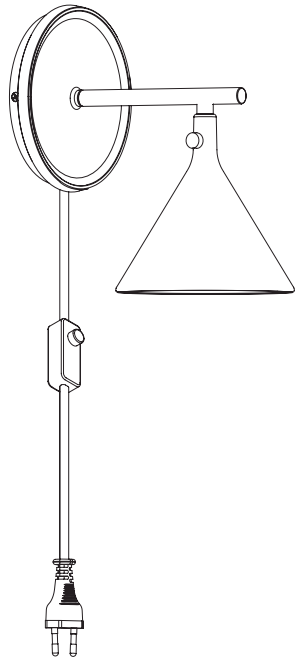


CONFIGURATION

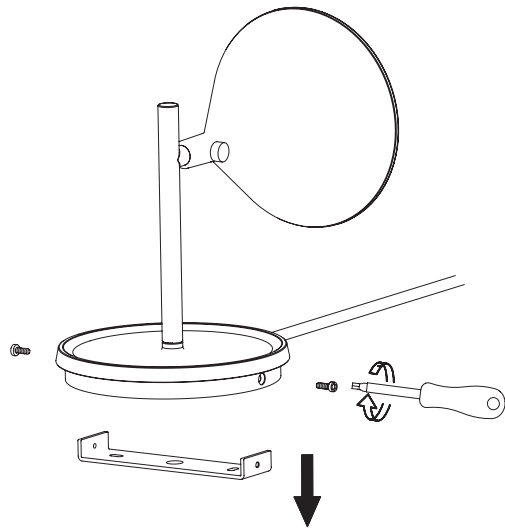
Is possible to install the product in 2 configuration:

- With cord (Page 6)
- Hardwired (Page 9)

1

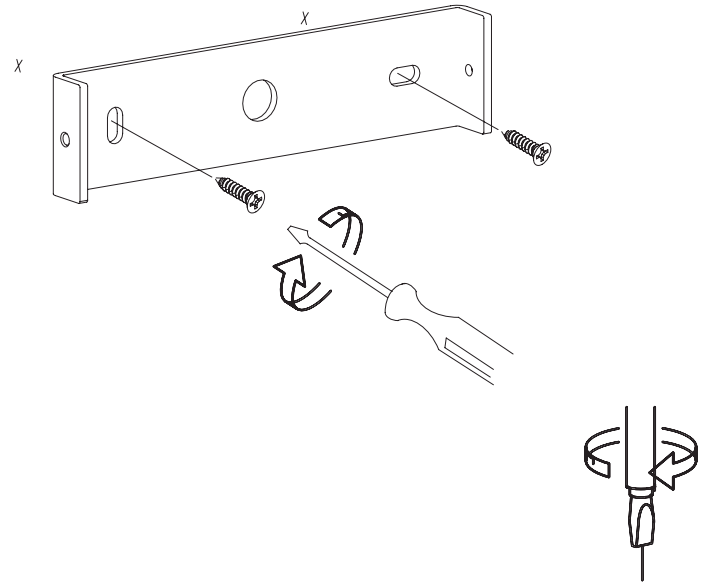


2

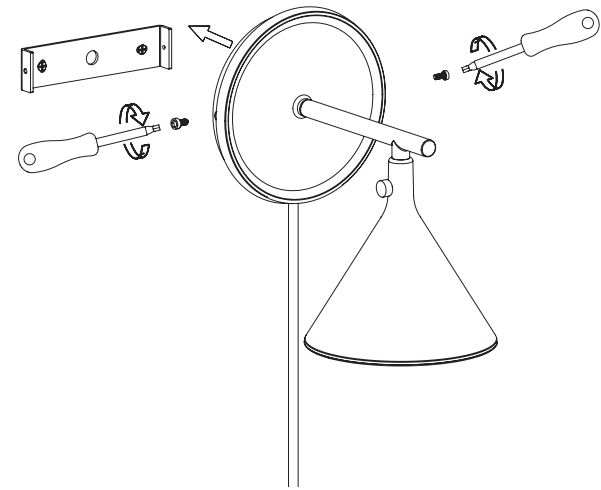


MENU

3

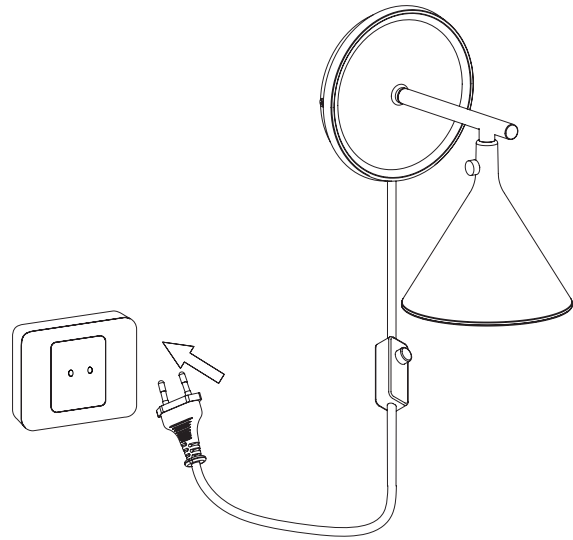


4

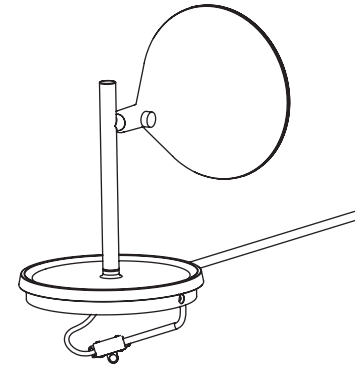


ASSEMBLY INSTRUCTIONS

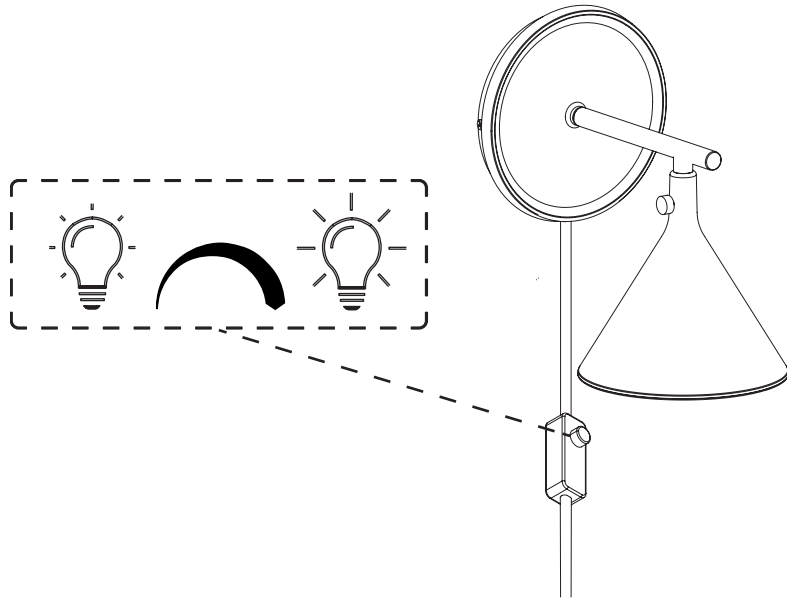
5



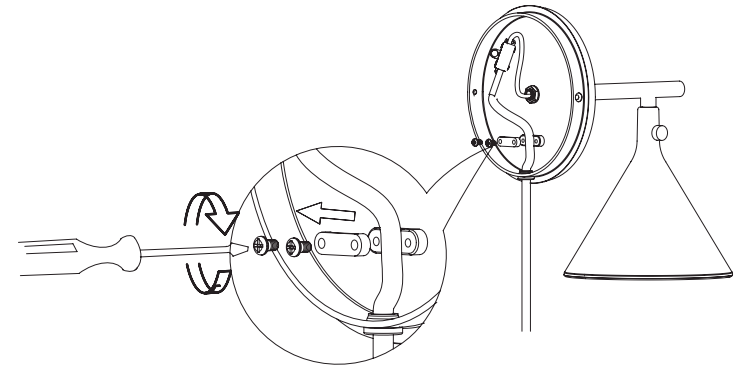
1



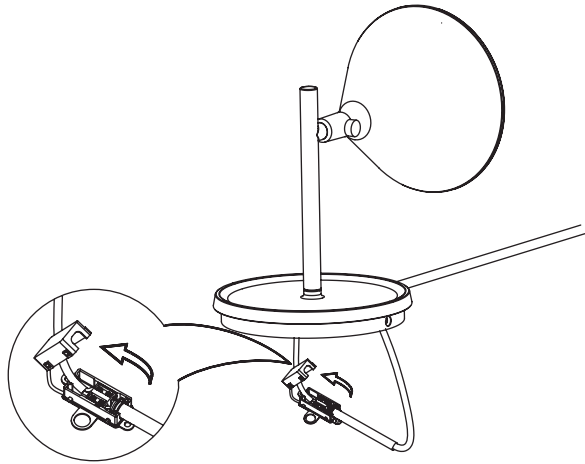
6



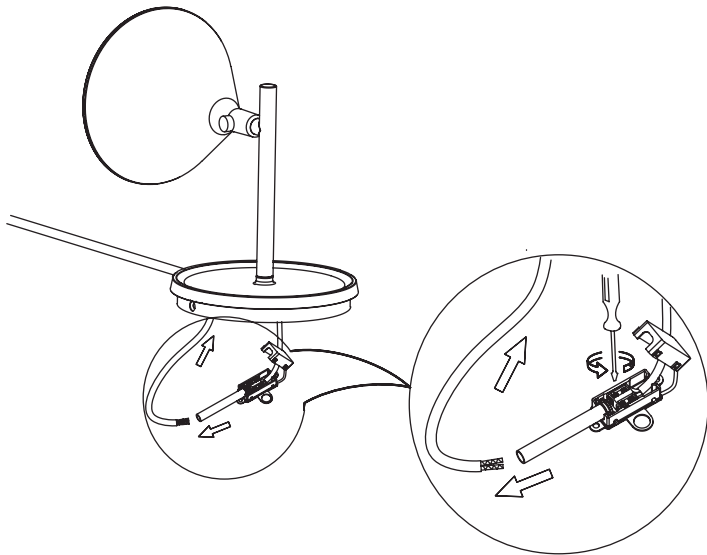
2



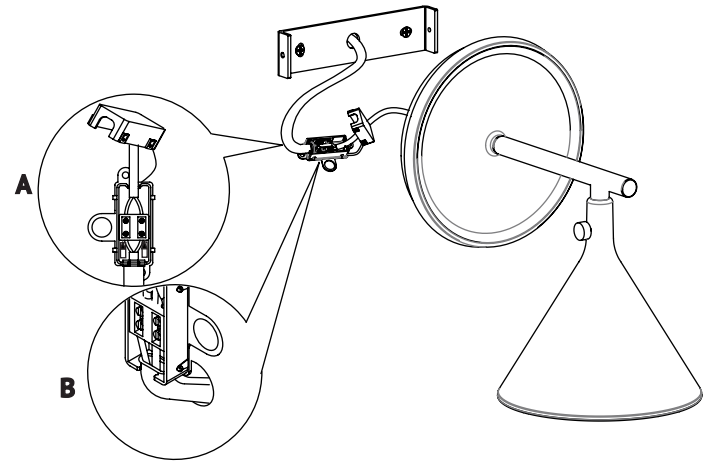
3



4



5



6

