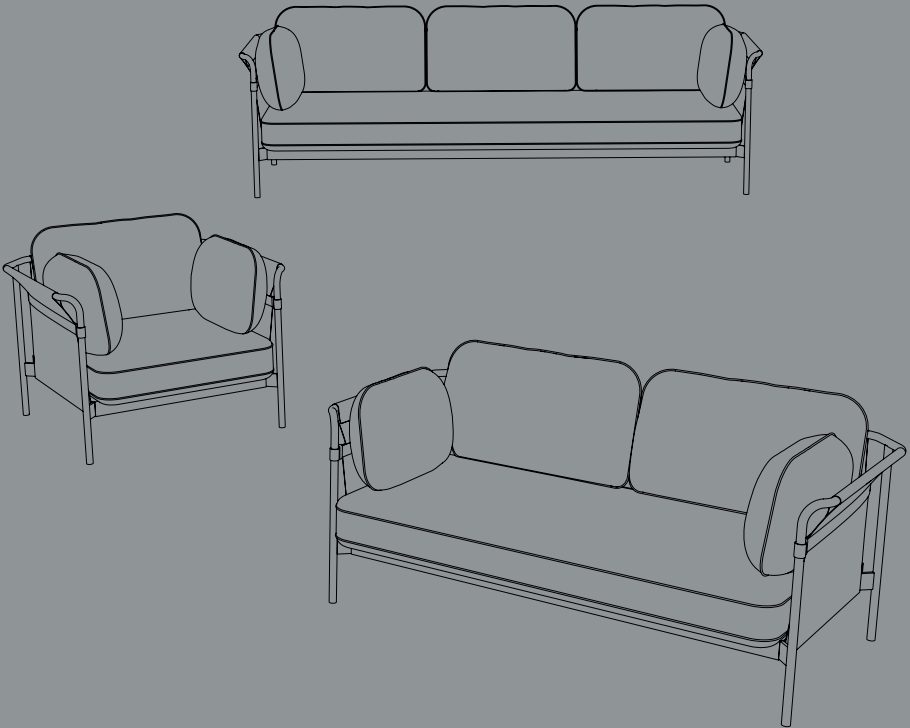


- INSTRUCTION MANUAL -

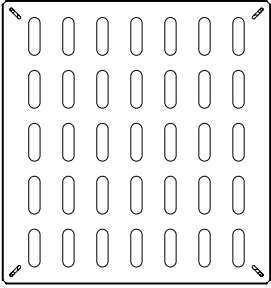
CAN SOFA



DESIGN BY RONAN & ERWAN BOURULLEC

HAY

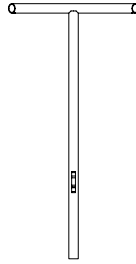
- PARTS 1-SEATER -



A Seat frame x1



B Front leg x2



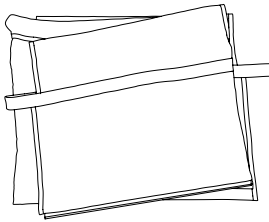
C Bag leg x2



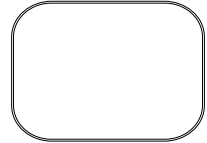
D Armrest tube x2



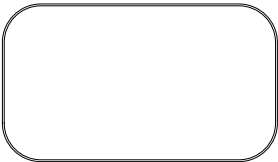
E Backrest tube x1



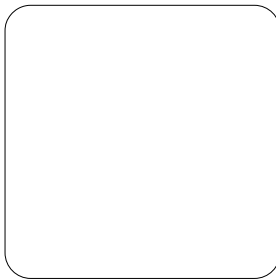
F Canvas x1



G Side pillow x2



H Back pillow x1



I Seat pillow x1

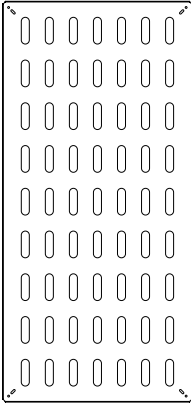


J Screw x12

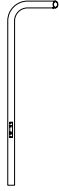


K Allen key x1

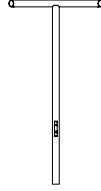
- PARTS 2-SEATER -



A Seat frame x1



B Front leg x2



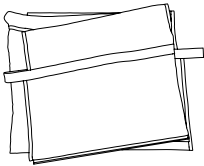
C Bag leg x2



D Armrest tube x2



E Backrest tube x1



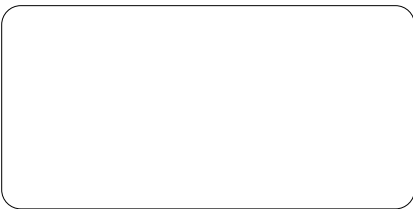
F Canvas x1



G Side pillow x2



H Back pillow x2



I Seat pillow x1

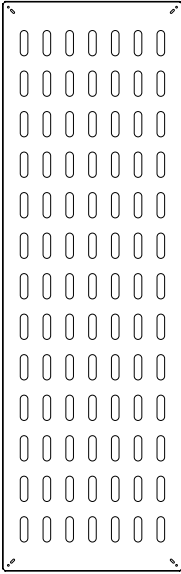


J Screw x12



K Allen key x1

- PARTS 3-SEATER -



A Seat frame x1



B Front leg x2



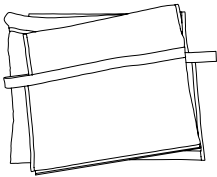
C Bag leg x2



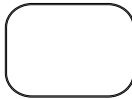
D Armrest tube x2



E Backrest tube x1



F Canvas x1



G Side pillow x2



H Back pillow x3



I Seat pillow x1



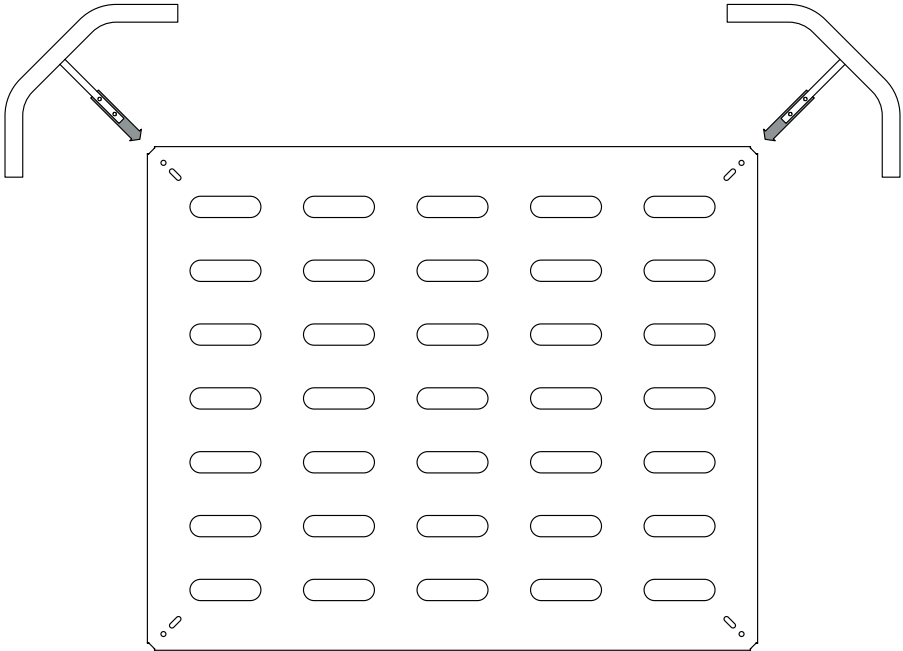
J Screw x12



K Allen key x1

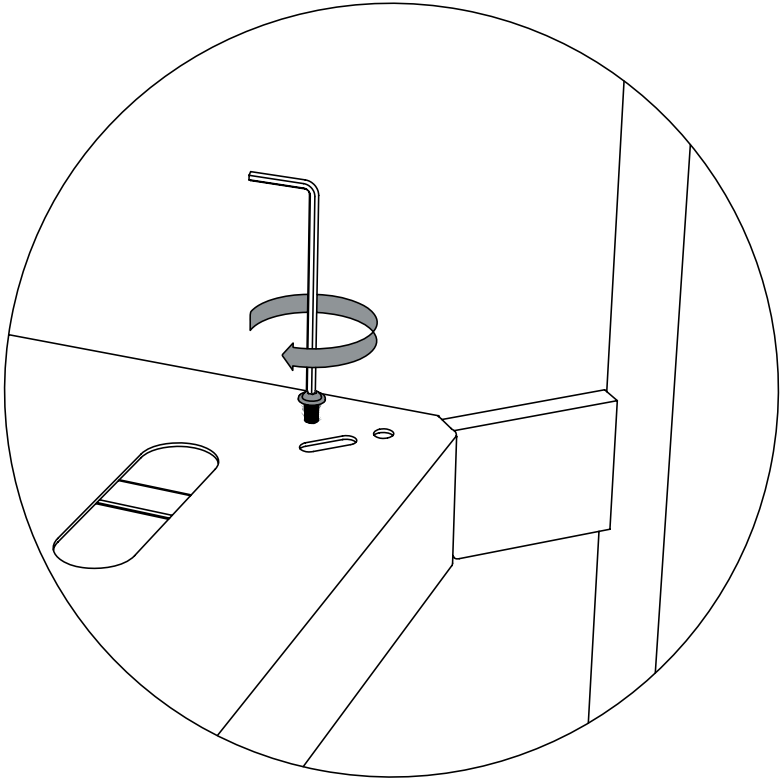
1.

Locate the backside of the seat frame **A**, marked with a white sticker, and insert the back legs **C** into each back corner.



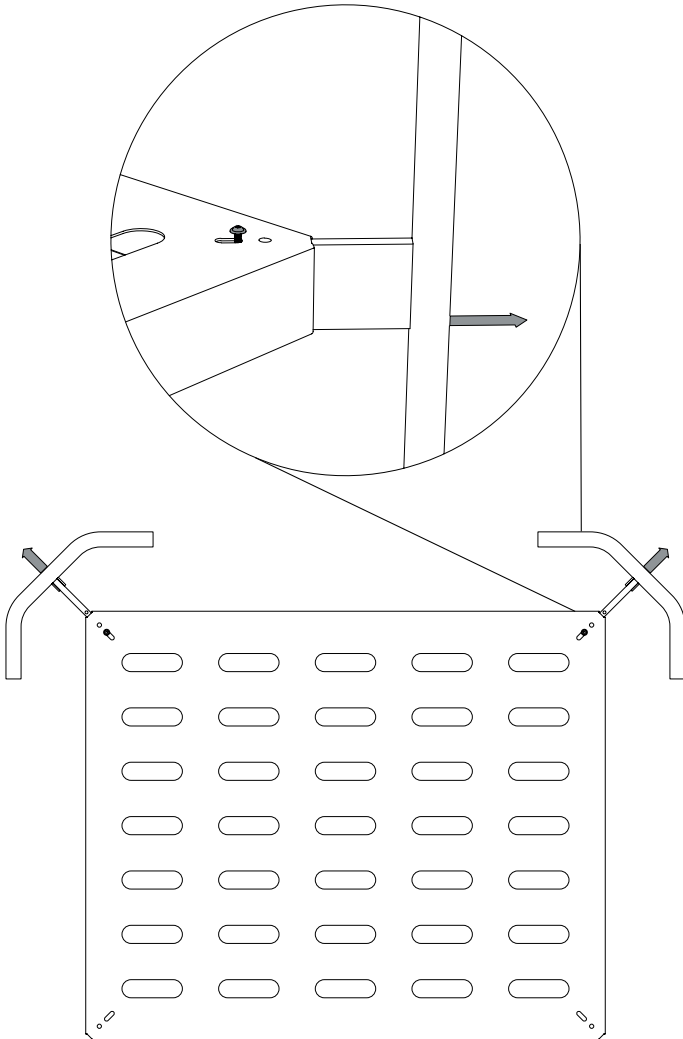
2.

Secure the back legs **C** to the seat frame **A** by slightly fastening one screw **J** in the hole closest to the centre of the sofa.



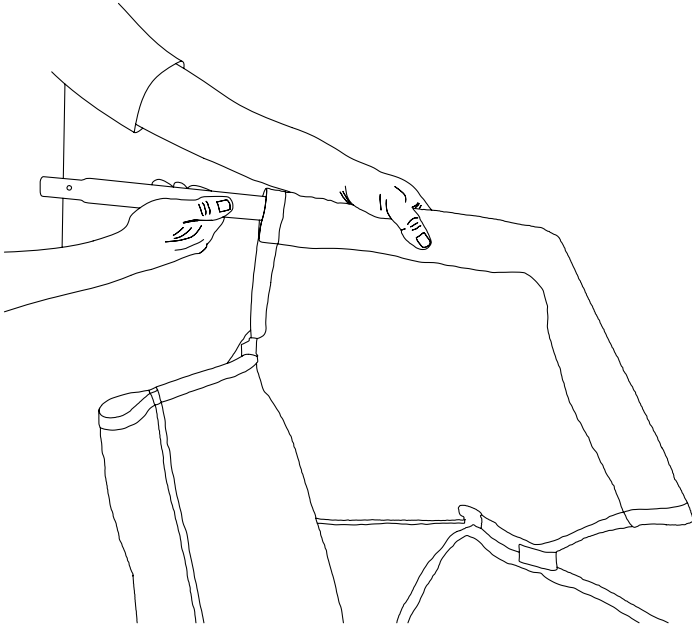
3.

Pull the legs gently outwards.



4.

Insert the backrest tube **E** into the middle part of the canvas.

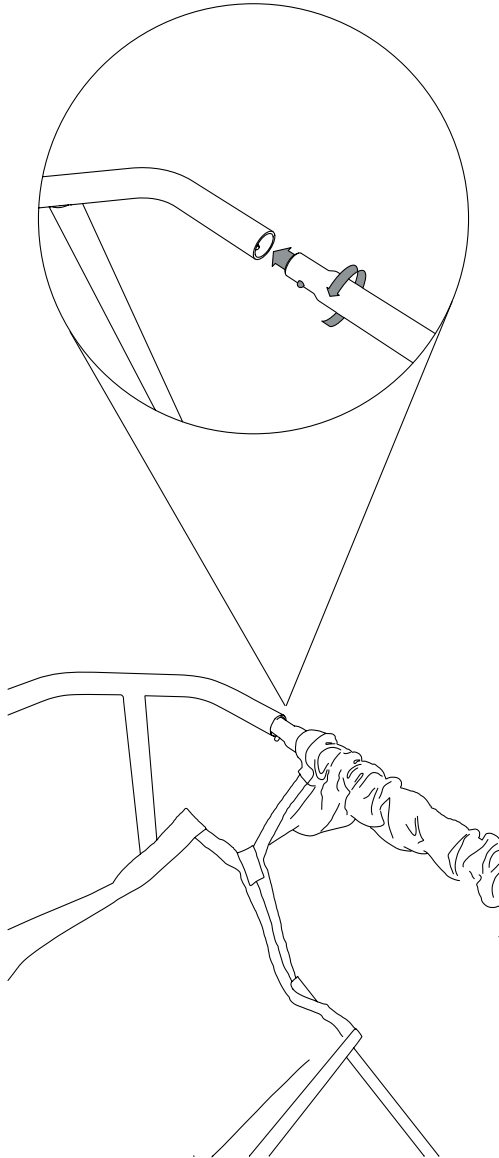


NOTICE

2- and 3-seaters – Make sure the Backrest tube **E** is facing the right way.
The Backrest tube **E** is marked with a white sticker that should face the outside of the sofa.

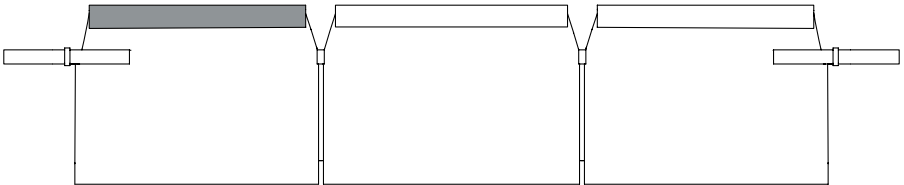
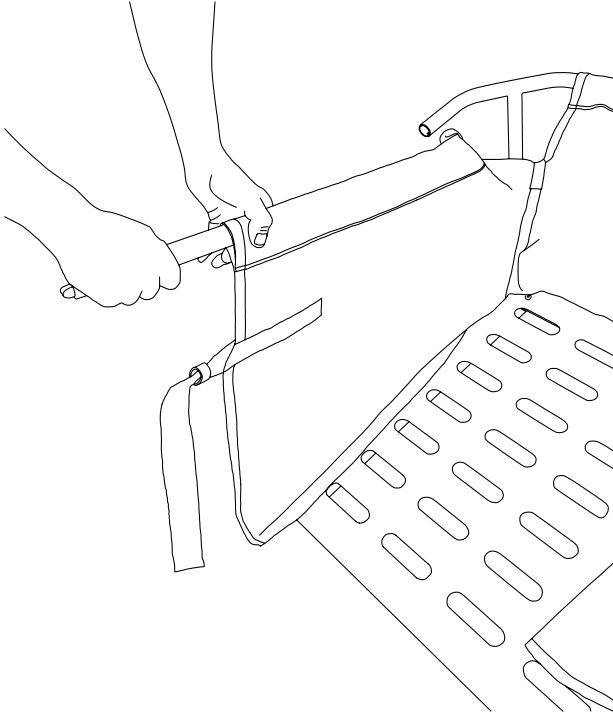
5.

Insert the backrest tube **E** into both back legs **C**. Make sure the canvas is mounted with the cotton strap facing outwards. Twist **E** to hear a “click”.



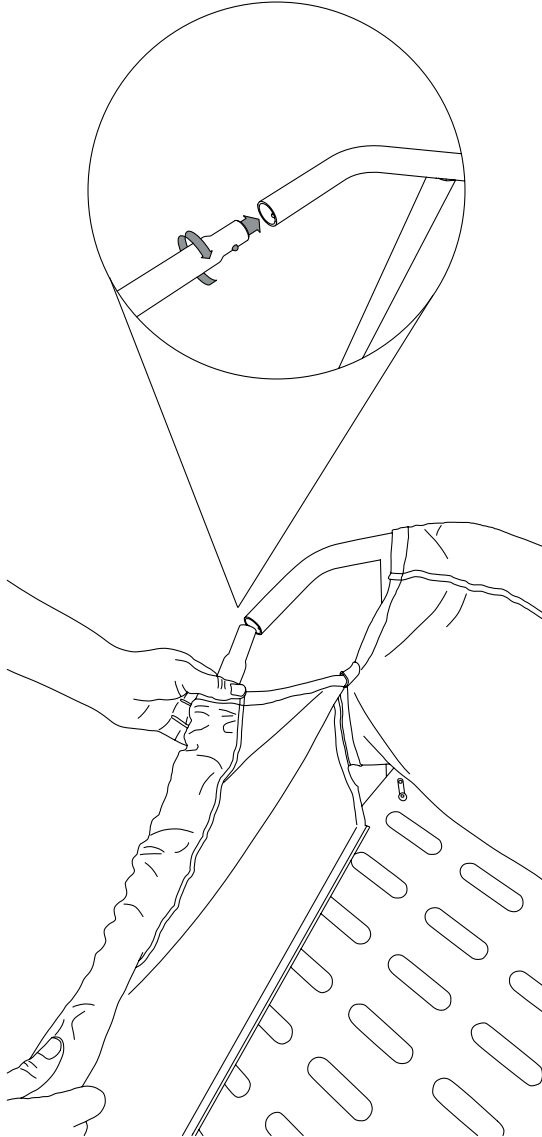
6.

Insert the armrest tube **D** into the canvas.
Make sure the canvas is kept on the inside of the back leg **C**.



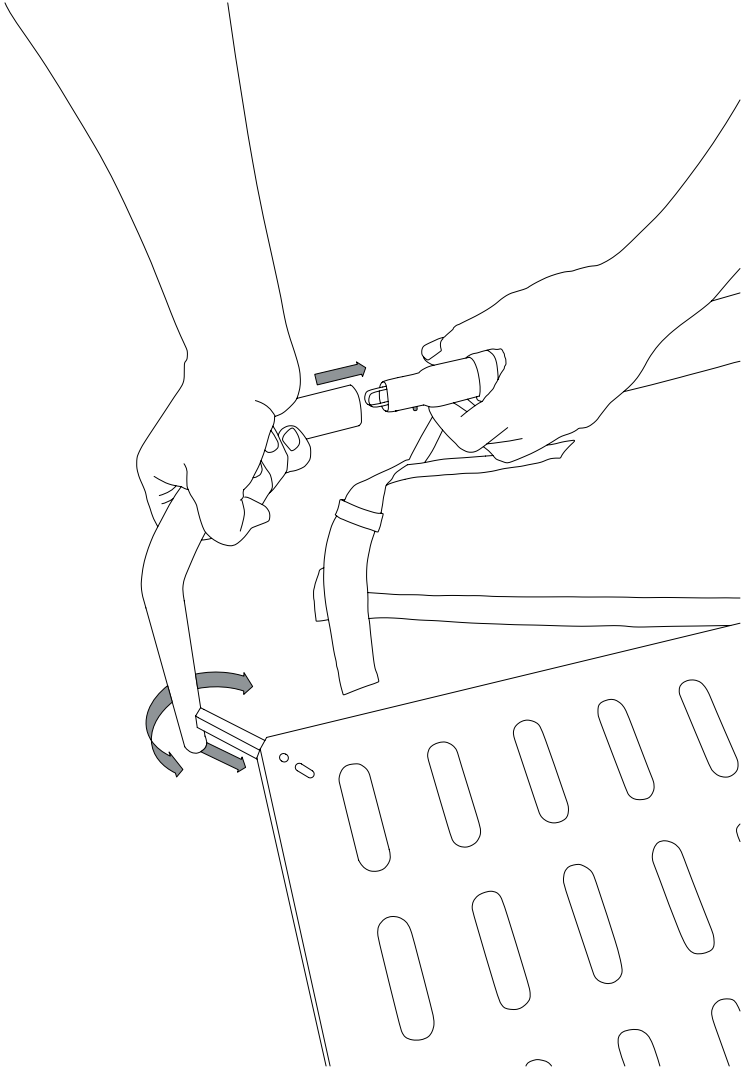
7.

Insert the armrest tube **D** into the back leg **C**.
Twist **D** to hear a "click".



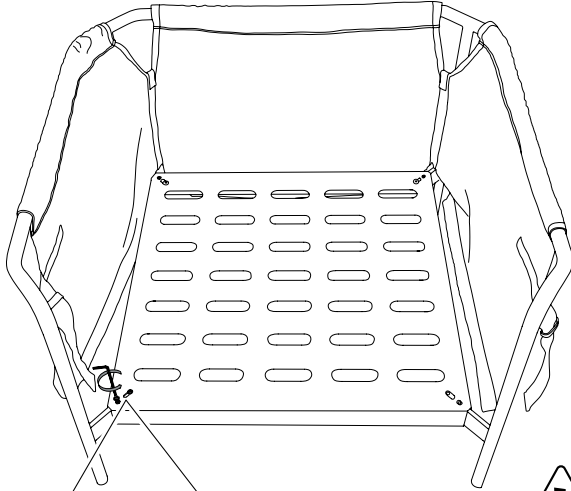
8.

Insert the front leg **B** gently into the frame **A** and armrest tube **D**.
Repeat step 6, 7 and 8 on the other side.



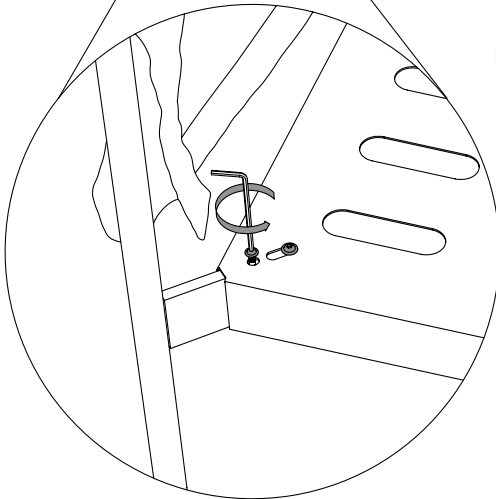
9.

Gently secure the front legs **B** and back legs **C** to the frame **A** by fastening the screws **J** in all four corners.



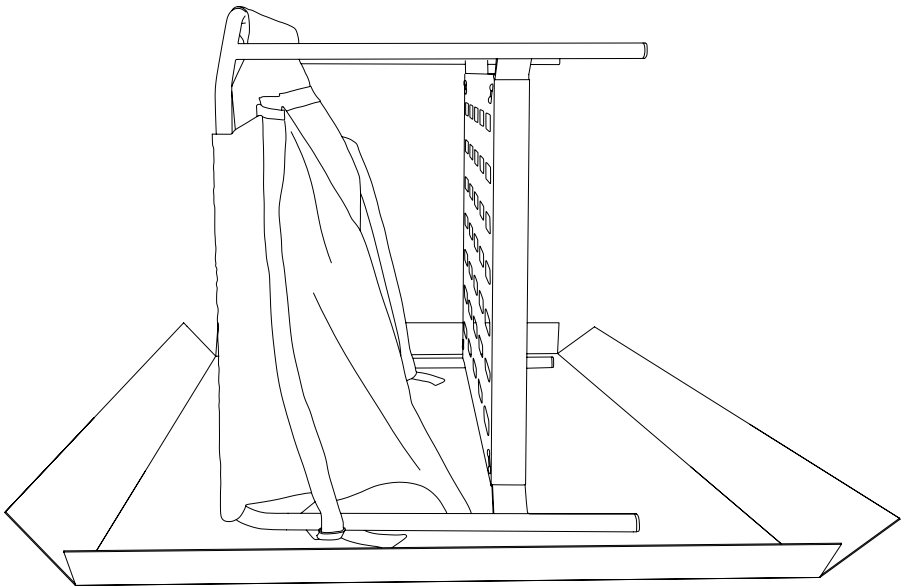
NOTICE

It is important **NOT** to tighten the screws completely yet.



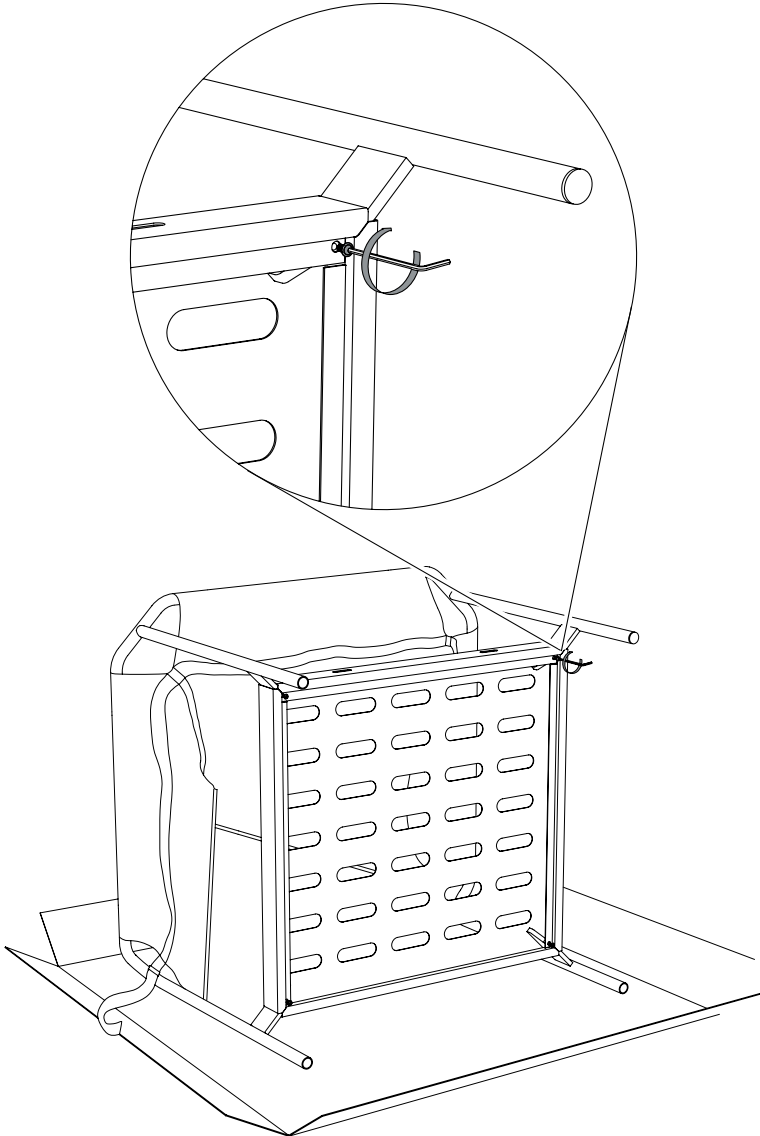
10.

Turn the frame forward to give easy access to the bottom of the seat frame.
Make sure to place it on the box to avoid scratching the frame.



11.

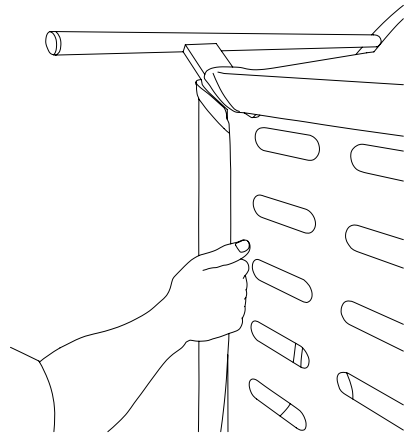
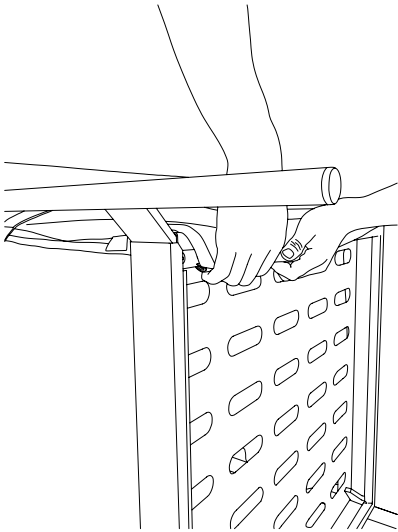
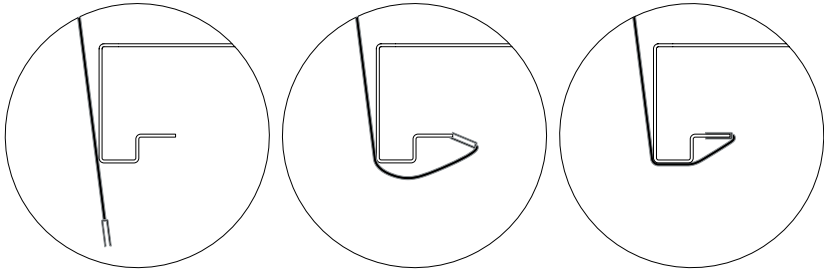
Secure the front legs **B** and back legs **C** to the frame **A** from the bottom side by fastening the screws **J** in all four corners.



12.

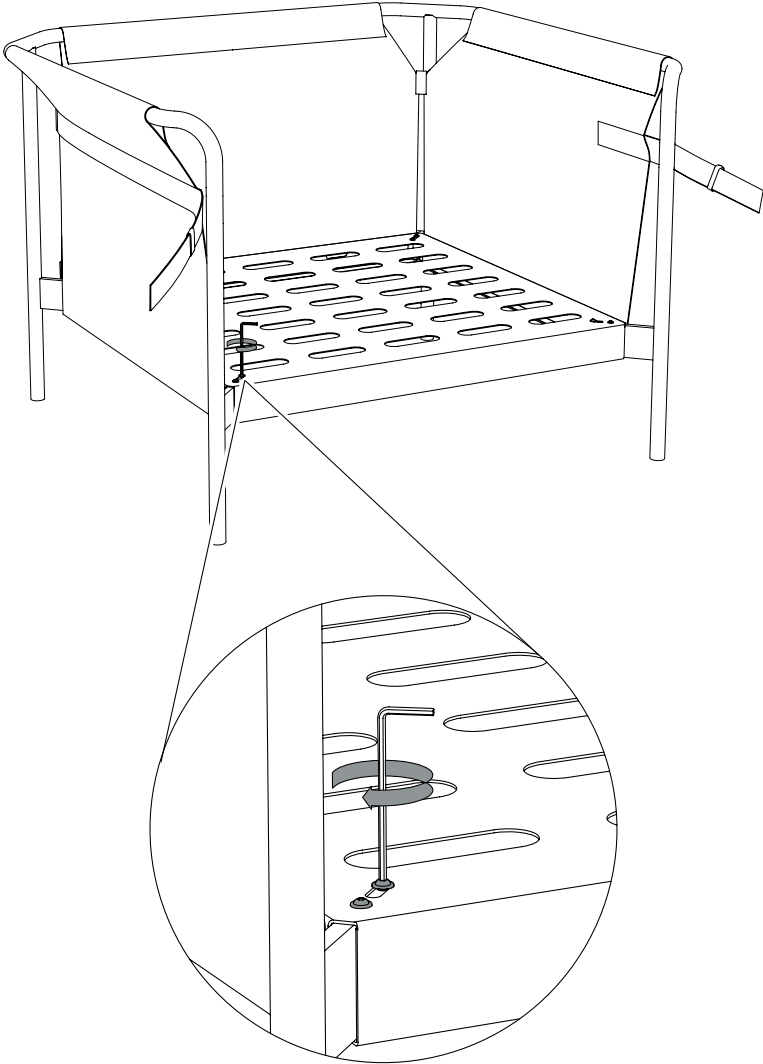
MOUNTING CANVAS

Slide the plastic profile onto the bottom of the seat frame. It is important to start at one end and work your way to the opposite side. Make sure the canvas is fully stretched all the way to the corners.



13.

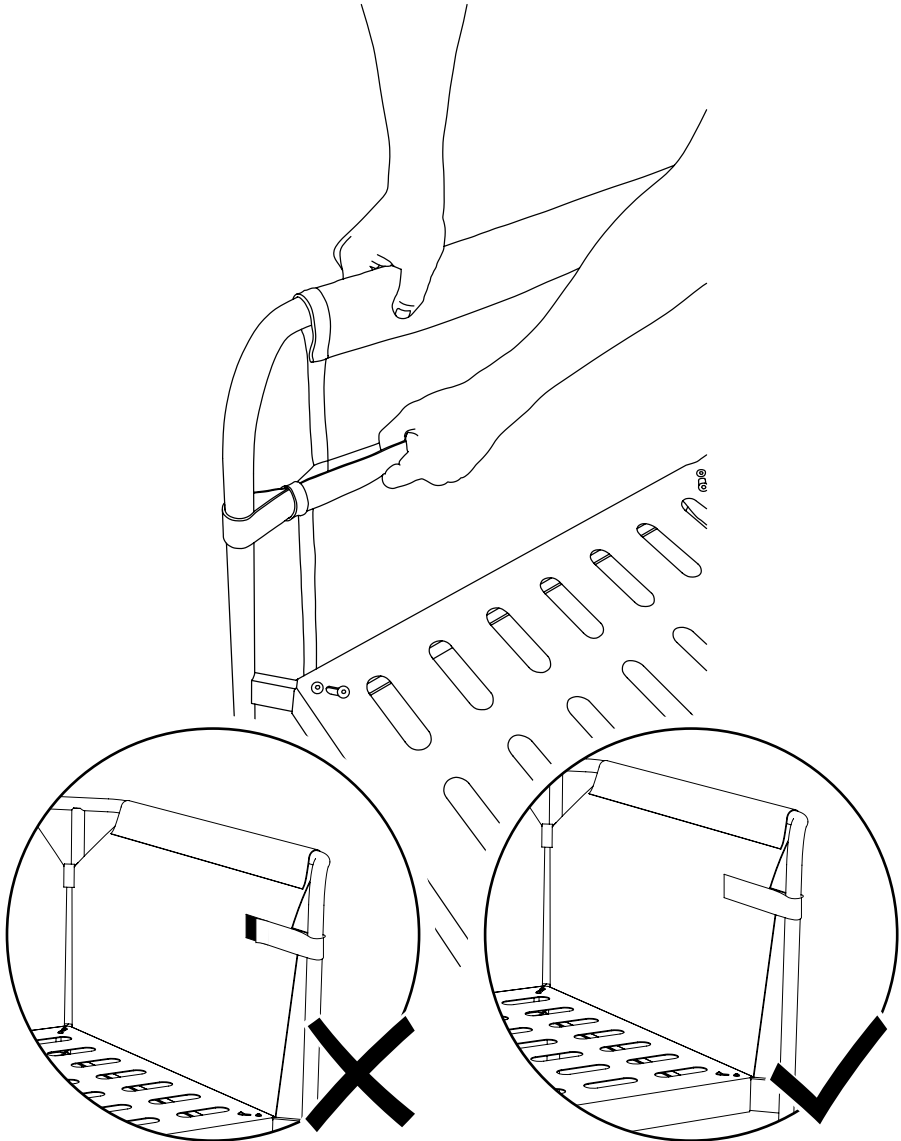
Secure the front legs **B** and back legs **C** to the frame **A** by fastening the screws **J** in all four corners.



14.

MOUNTING CANVAS

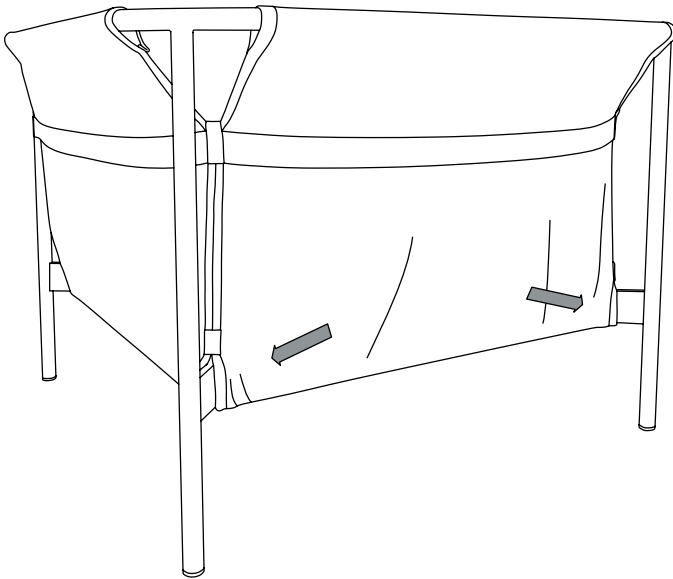
Place the cotton strap around the front leg and slide it through the leather ring. Adjust the canvas and then tighten it by pulling the cotton strap and fastening it to the velcro. Make sure all velcro is covered.



15.

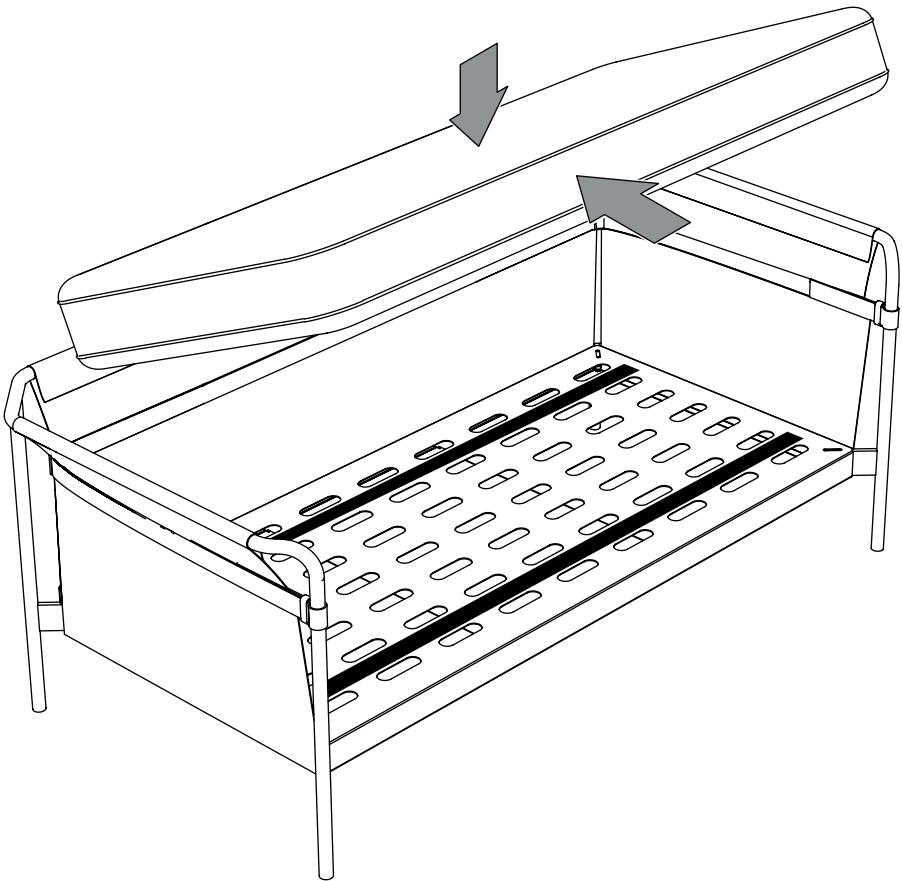
ADJUSTING CANVAS

Adjust the canvas at the frame. Start at one end and work your way to the opposite side.
Make sure the canvas is not folded or misplaced anywhere.



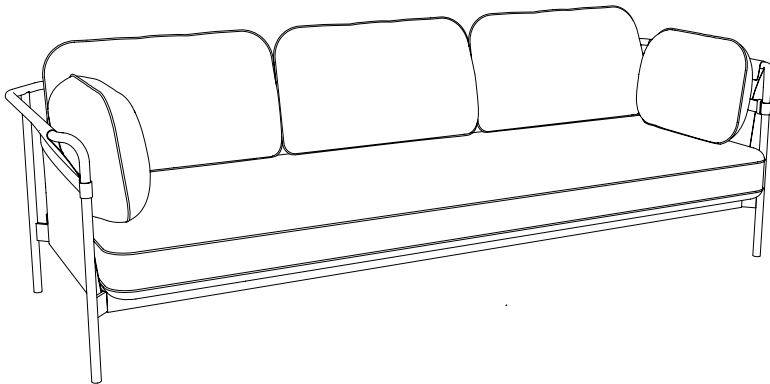
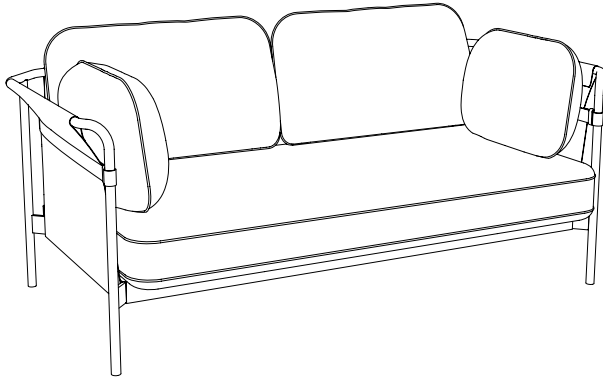
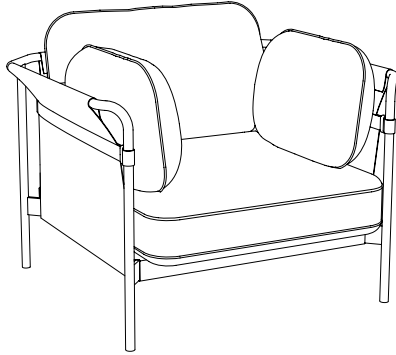
16.

Place the seat cushion while also pushing it back, so that it is as far back as possible.



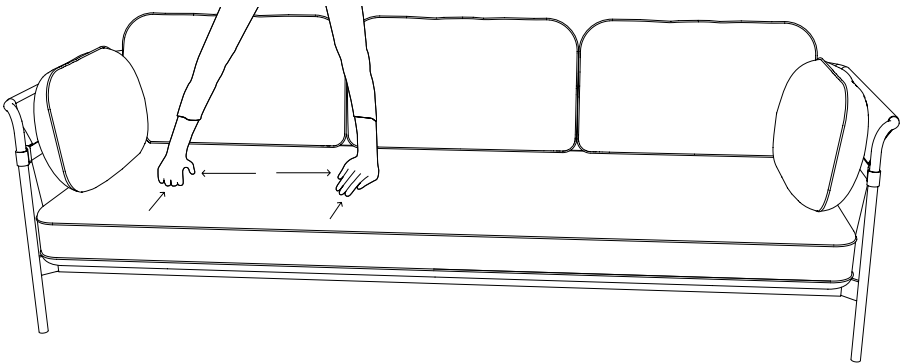
17.

Place the back pillow **H** and side pillows **G** in the frame.



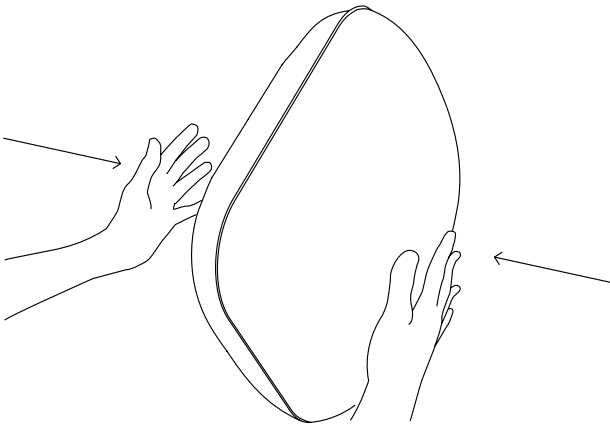
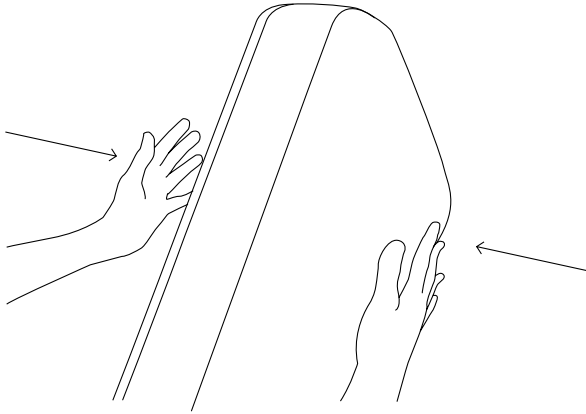
18.

Over time, your sofa will need some attention to ensure that the cushions remain plump and the seat cushion keeps its shape. Straighten out any creases and lumps in the seat cushion with your hands.



19.

Plump the cushions regularly.



- CARE & MAINTENANCE -

Our Care & Maintenance offers guidance for optimal maintenance of your HAY product. It includes advice and instructions on cleaning and caring for specific materials to prolong the life of your furniture.

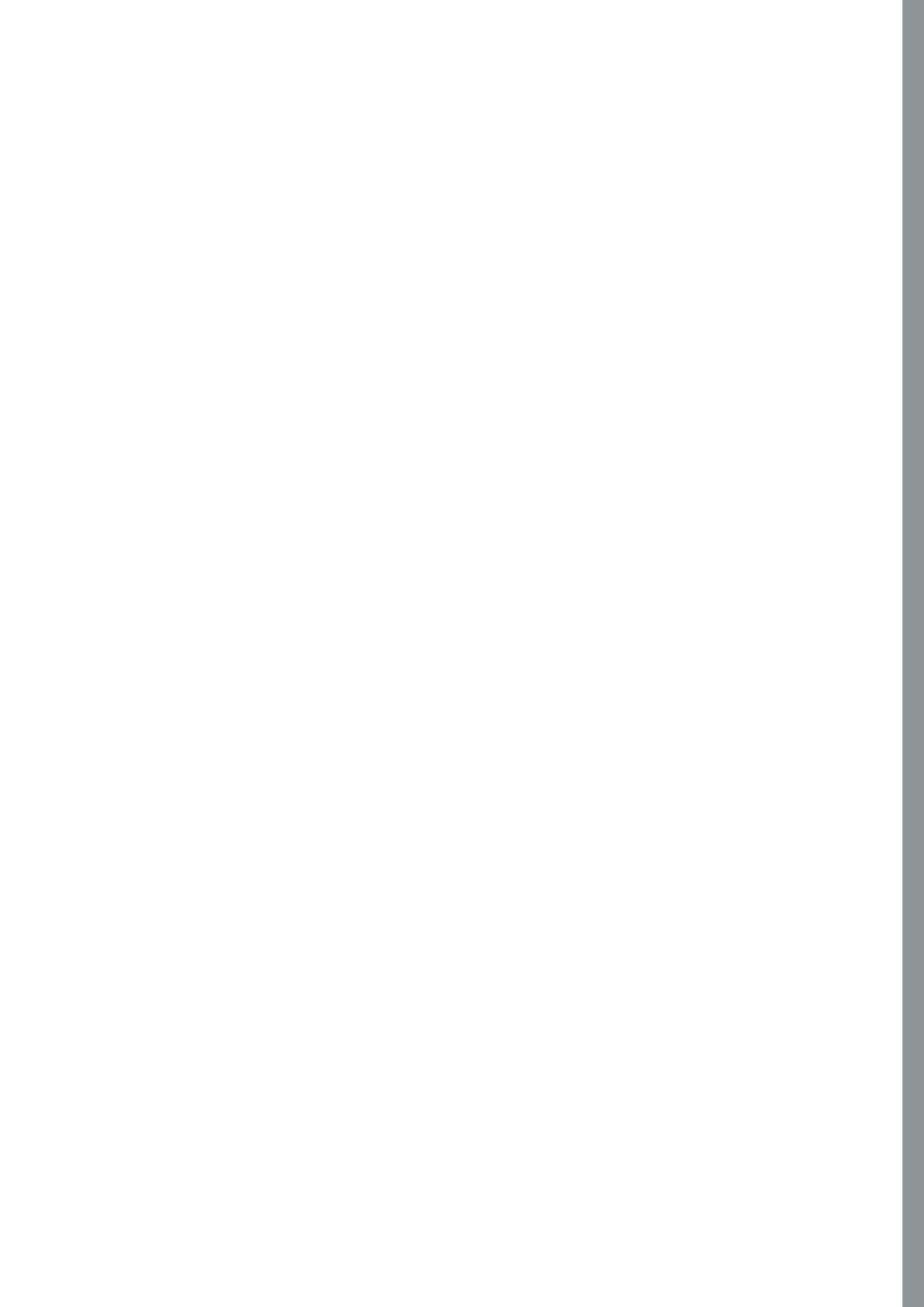


Please find our Care & Maintenance guide by scanning the QR code



You can find more relevant information on Can Sofa by scanning the QR code

You can also find the same information here
hay.dk/downloads



Havnen 1 8700 Horsens Denmark
+45 4282 0282 / hay@hay.com

www.hay.com

22/12/2021

HAY