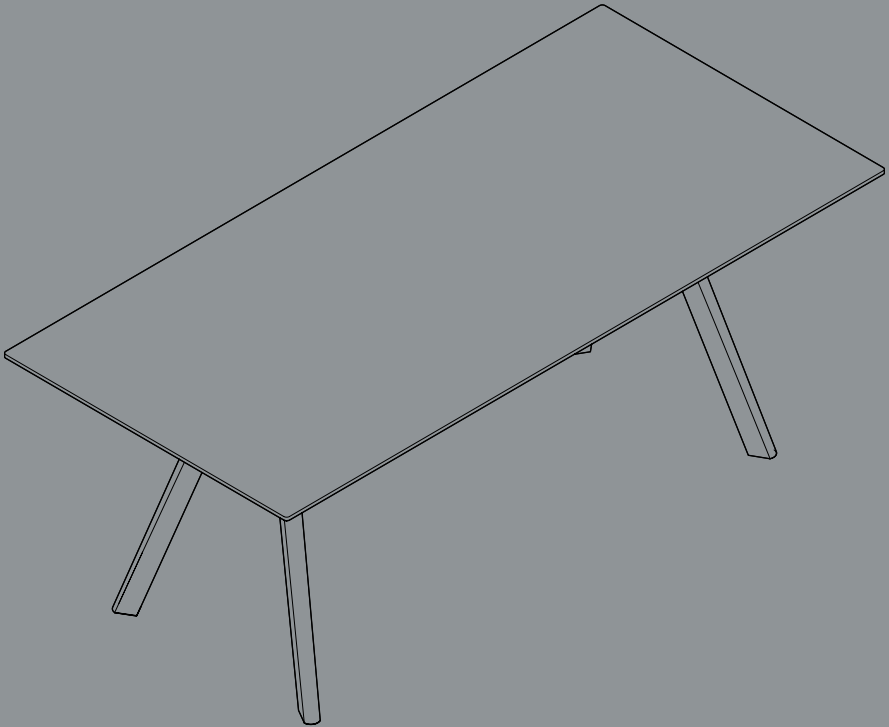


- INSTRUCTION MANUAL -

CPH 30

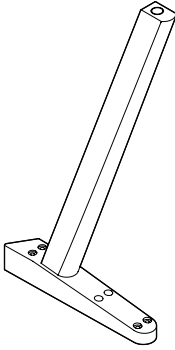
L200 X W80 X H105
L200 X W90 X H74
L250 X W90 X H74
L300 X W90 X H74



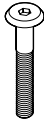
DESIGN BY RONAN & ERWAN BOUROULLEC

HAY

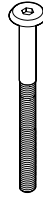
- PARTS -



A Leg x4



B Screw x16



C Screw



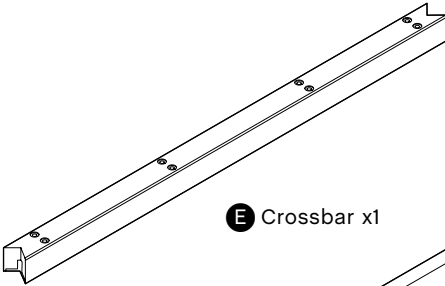
D Allen key

L200xW80 x16

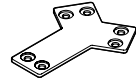
L200xW90 x16

L250xW90 x18

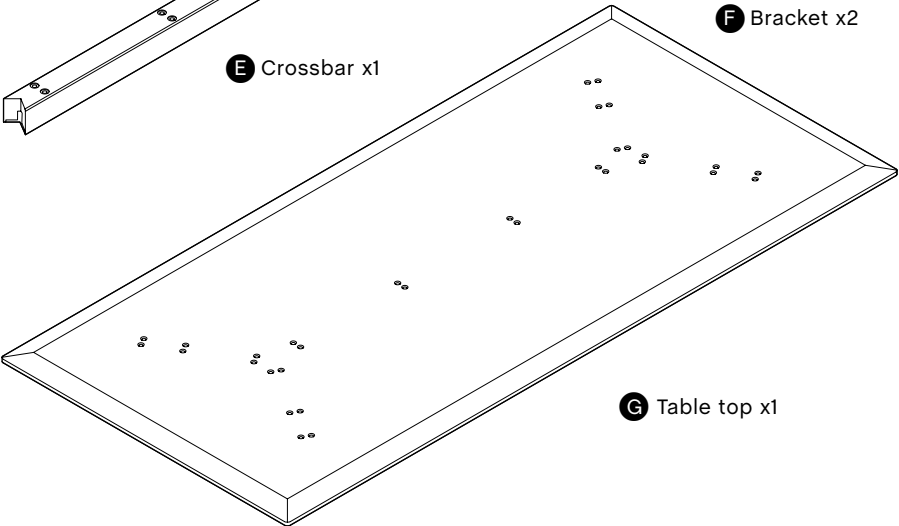
L300xW90 x18



E Crossbar x1

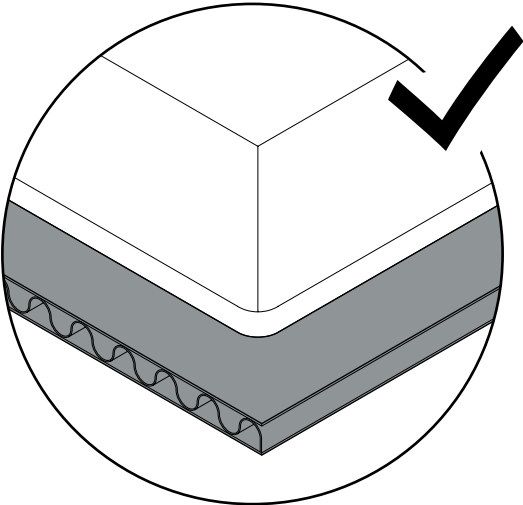
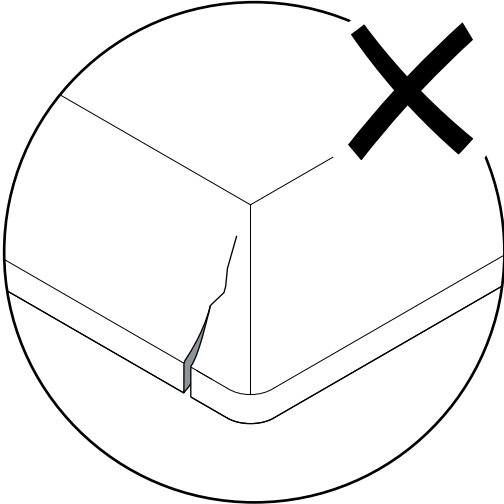


F Bracket x2



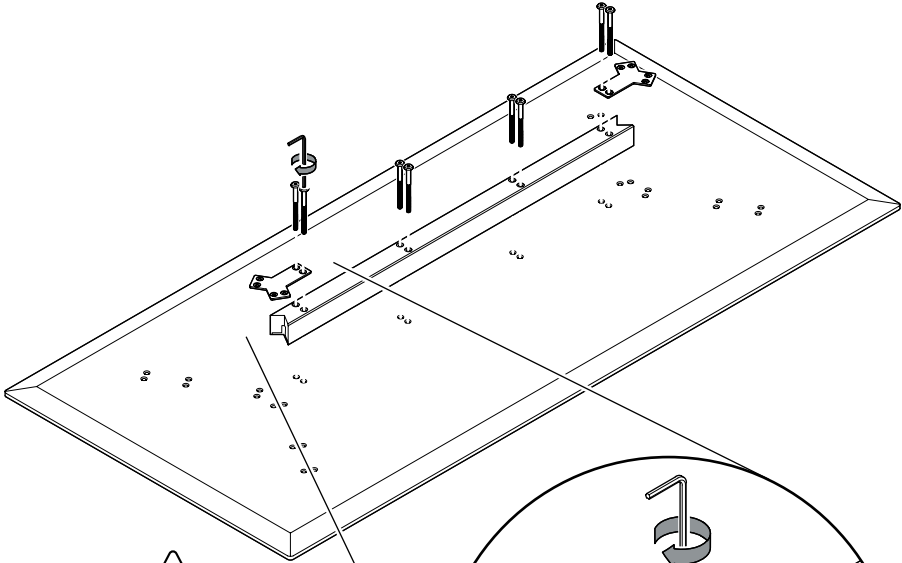
G Table top x1

Protect the table top from scratches and other damage while assembling.



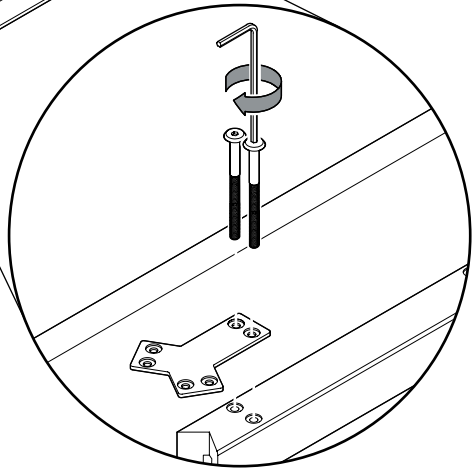
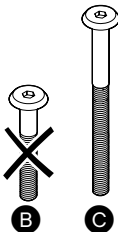
1.

Mount the crossbar **E** to the table top **G**. Place the brackets **F** at both ends, and fasten with screws **C** using the Allen key **D**. Insert all the screws and only tighten them loosely. Do not tighten them completely until step 4.



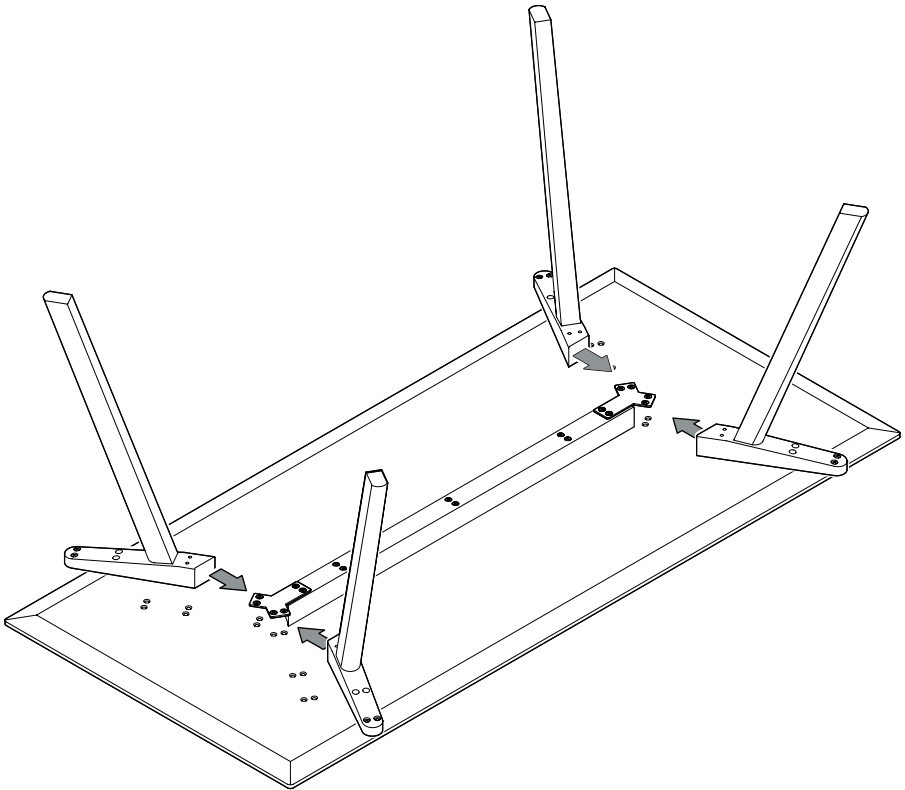
NOTICE

Be aware of the different lengths of the screws. Using the incorrect screw could damage the table.



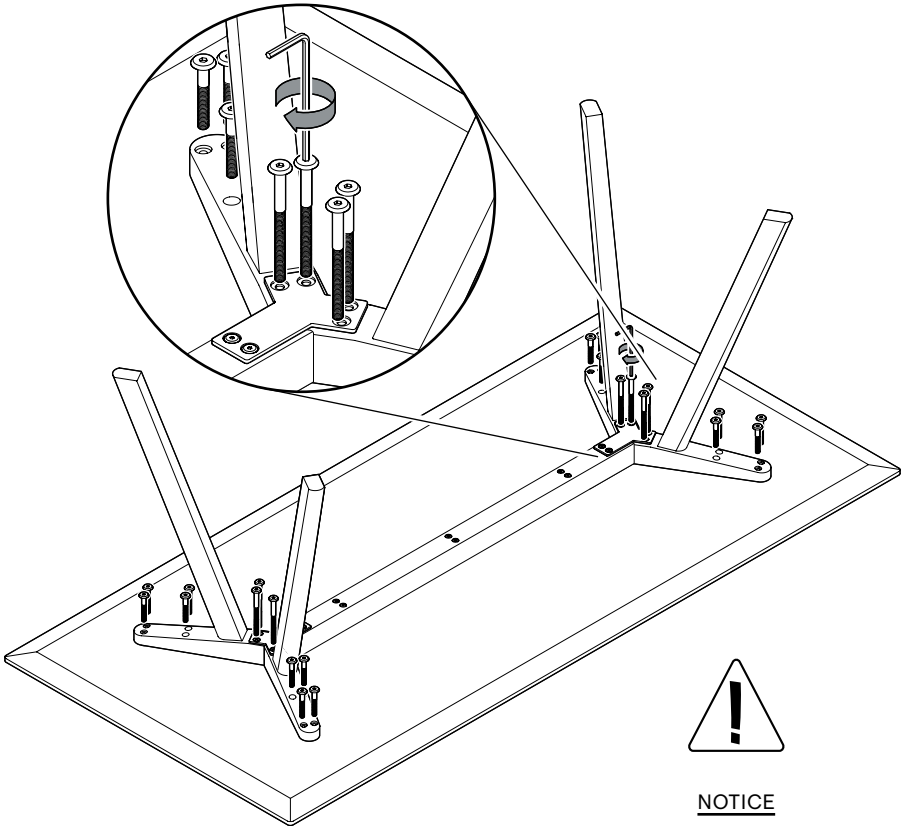
2.

Slide the legs **A** in, underneath the brackets.



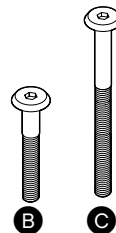
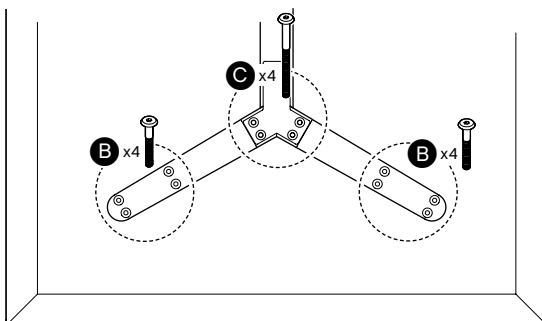
3.

Secure the legs with the screws **B** and **C** using the Allen key **D**. Insert all the screws and only tighten them loosely. Do not tighten them completely until step 4.



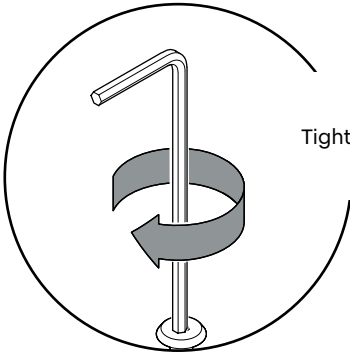
NOTICE

Be aware of the different lengths of the screws. Using the incorrect screw could damage the table.



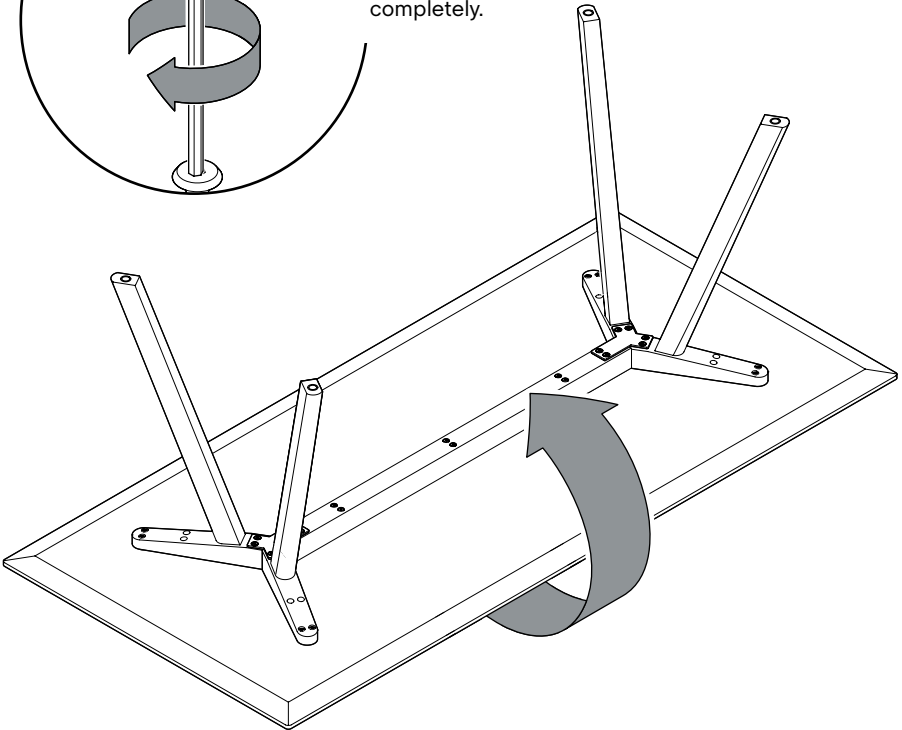
4.

Tighten all the screws completely. Then turn the table over.
(2 persons recommended).



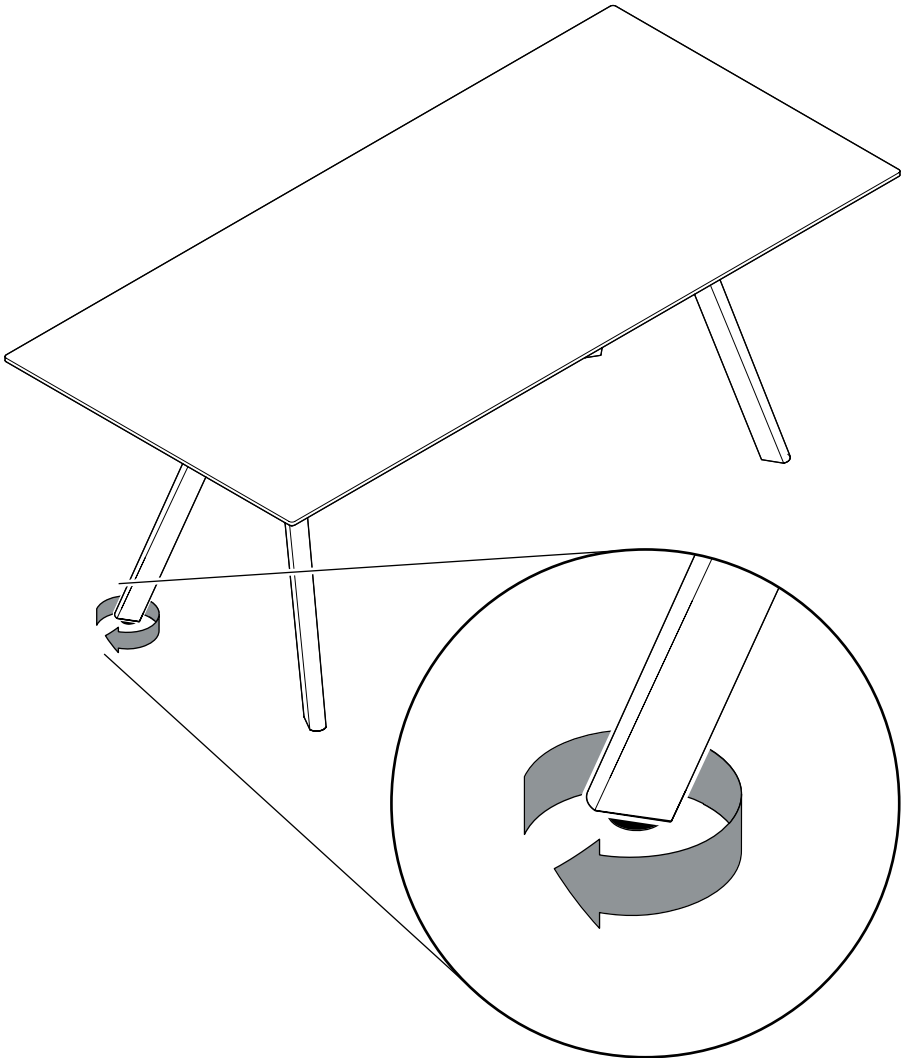
NOTICE

Tighten all the screws completely.



5.

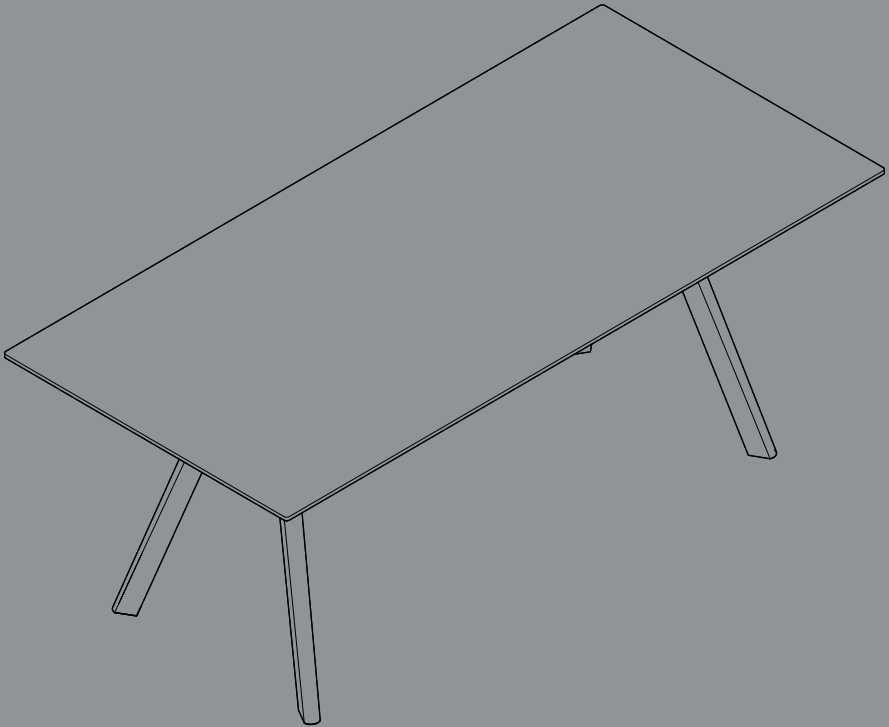
If the floor is uneven and the table is wobbly, you can turn the feet to adjust them up and down to stabilise the table.



- INSTRUCTION MANUAL -

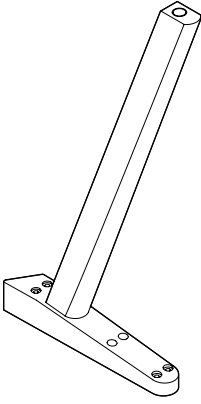
CPH 30

L250 X W120 X H74
L300 X W120 X H74

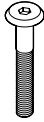


HAY

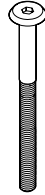
- PARTS -



A Leg x4



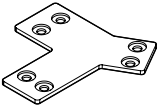
B Screw x16



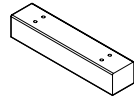
C Screw x36



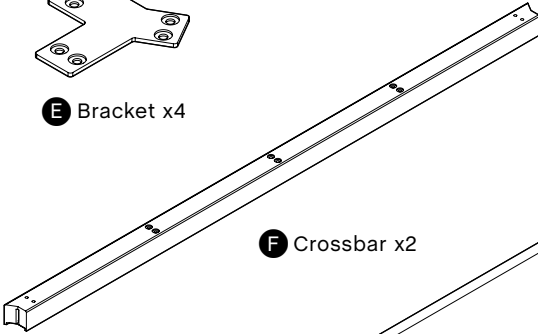
D Allen key



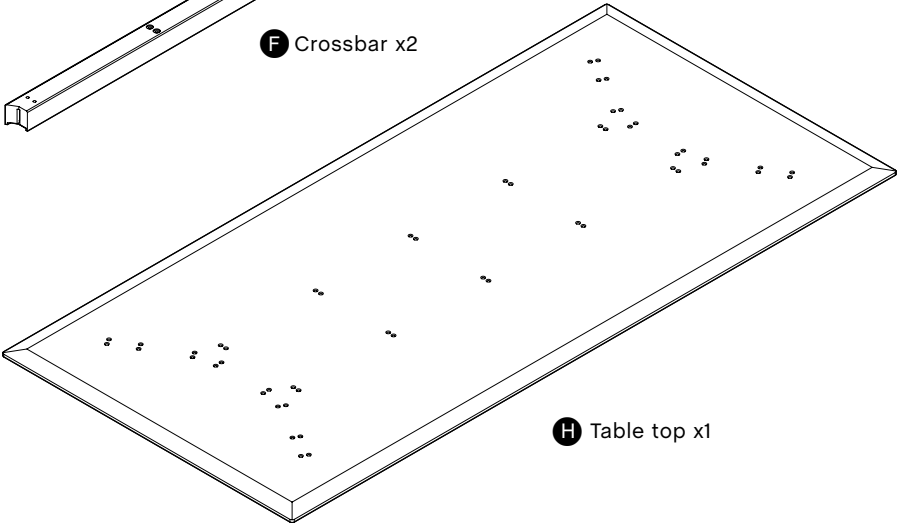
E Bracket x4



G Crossbar x2

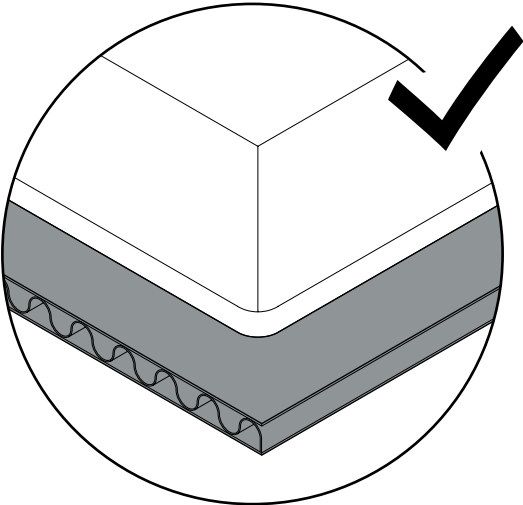
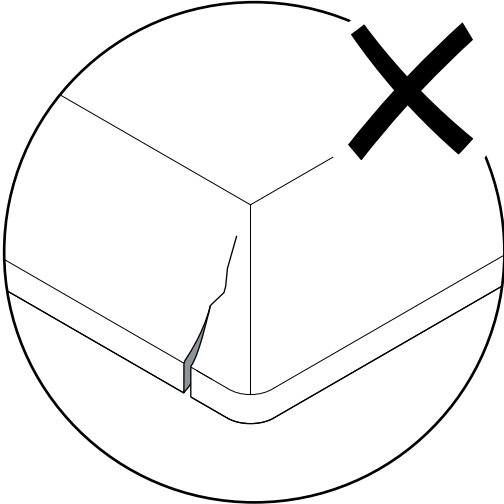


F Crossbar x2



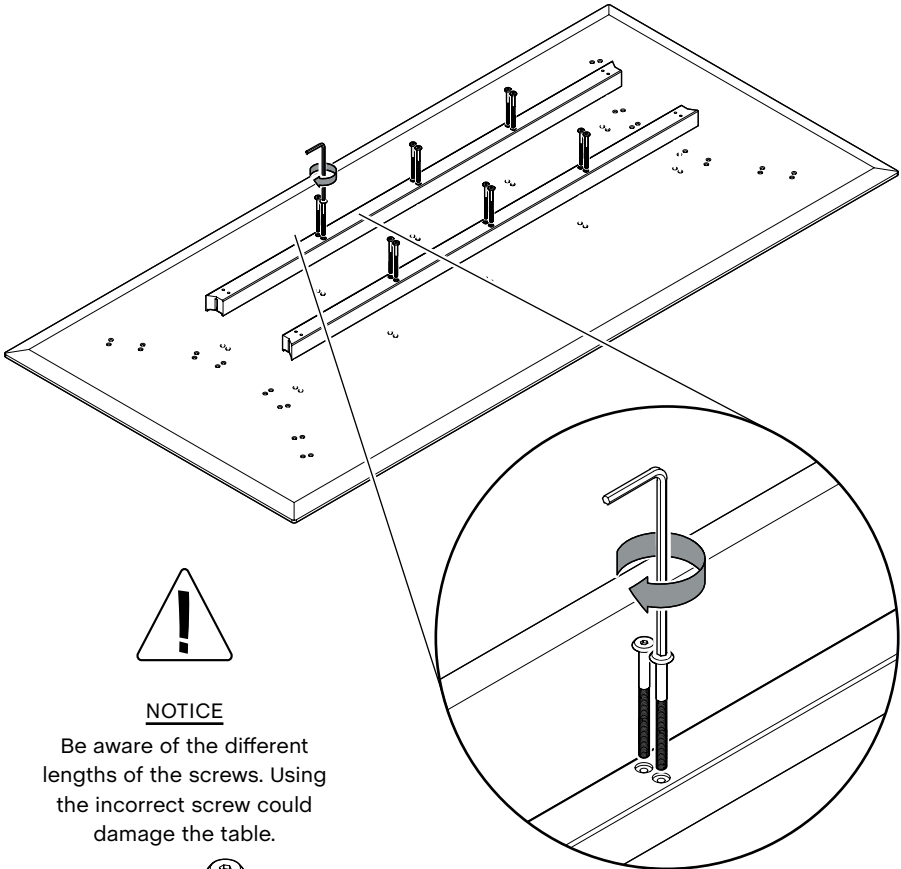
H Table top x1

Protect the table top from scratches and other damage while assembling.



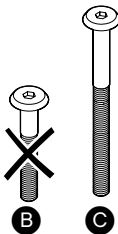
1.

Mount the crossbars **F** to the table top **H** and fasten with the screws **C** using the Allen key **D**. Insert all the screws and only tighten them loosely. Do not tighten them completely until step 5.



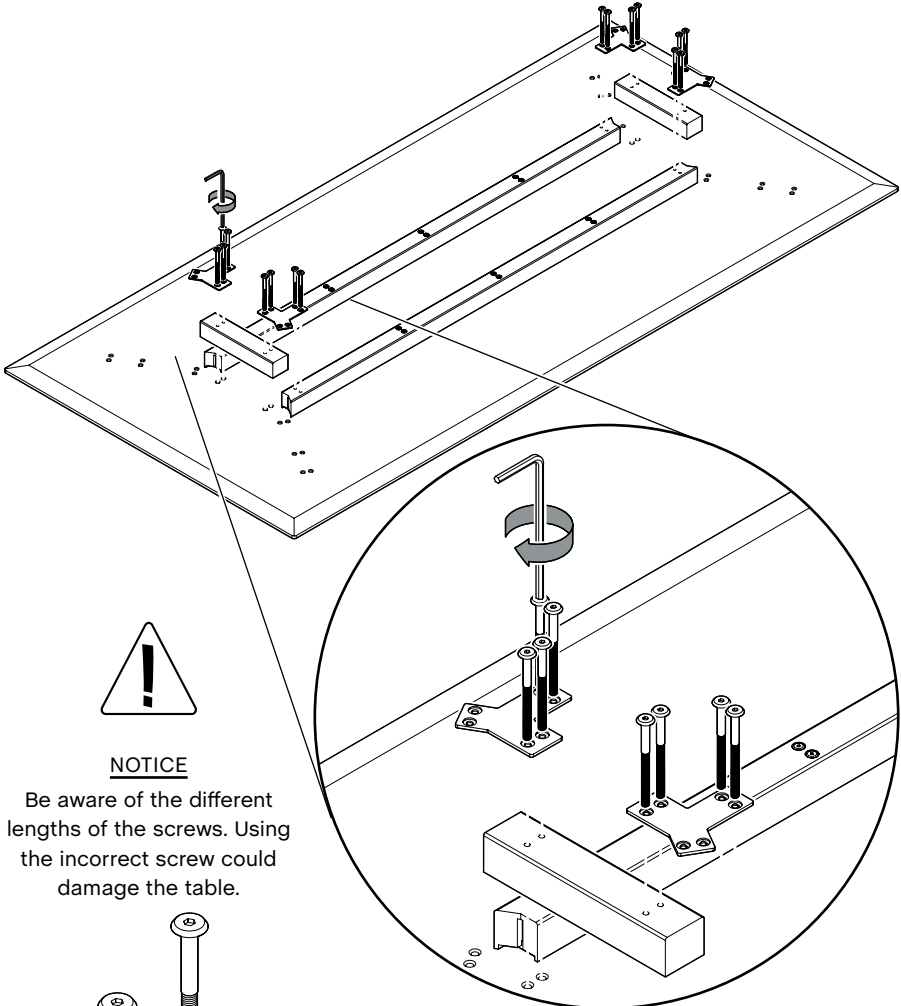
NOTICE

Be aware of the different lengths of the screws. Using the incorrect screw could damage the table.



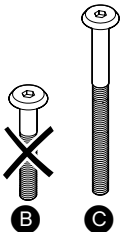
2.

Mount the crossbars **G**. Place the brackets **F** in every corner, and fasten with the screws **C** using the Allen key **D**. Insert all the screws and only tighten them loosely. Do not tighten them completely until step 5.



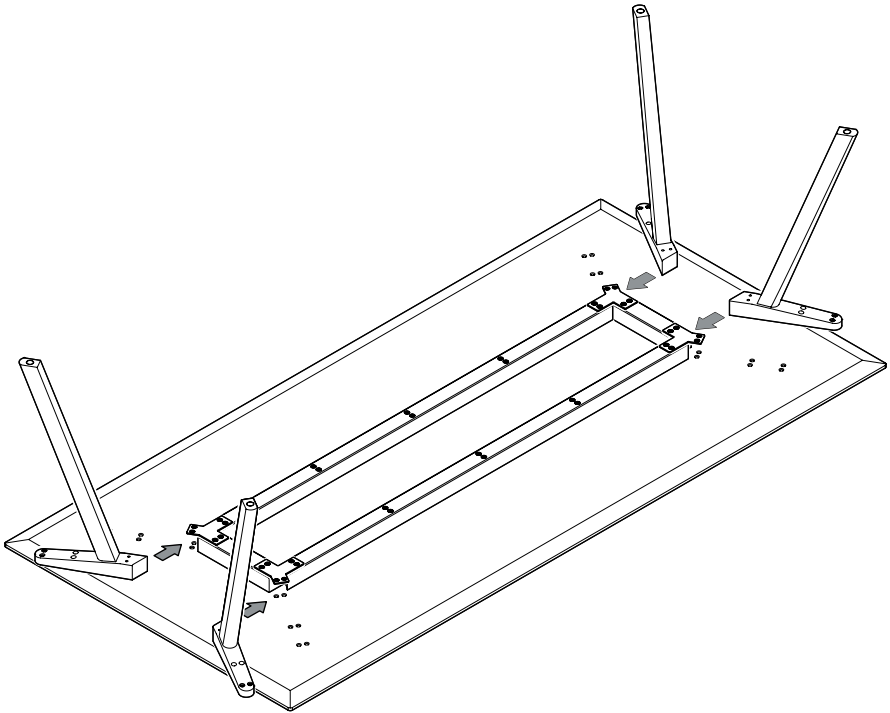
NOTICE

Be aware of the different lengths of the screws. Using the incorrect screw could damage the table.



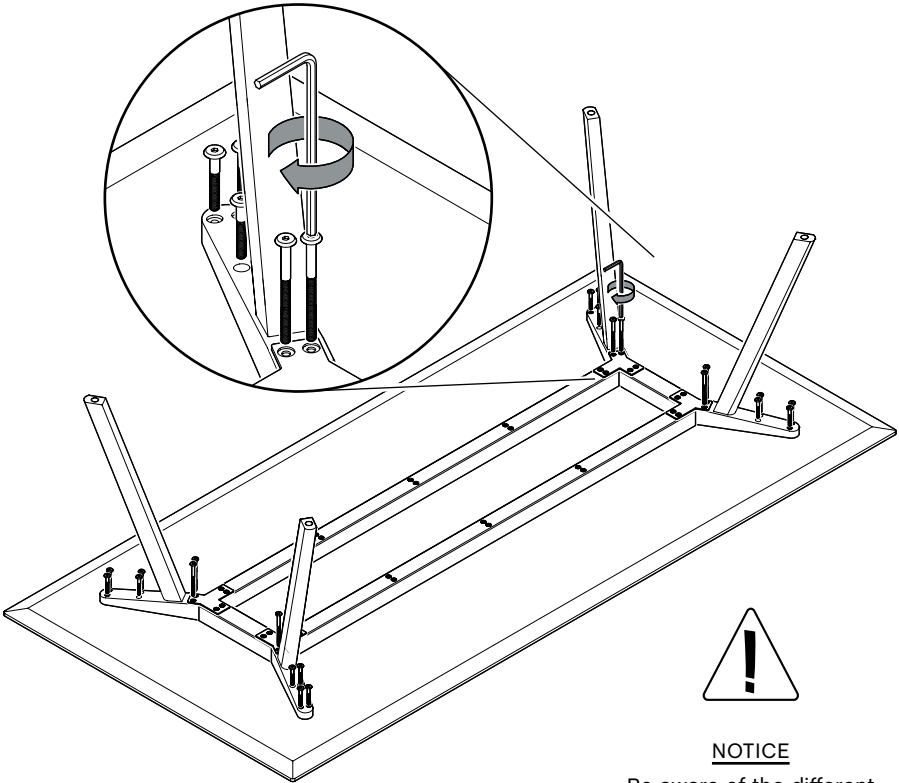
3.

Slide the legs **A** in, underneath the brackets **F** on the table top.



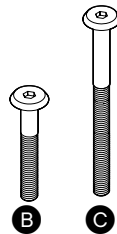
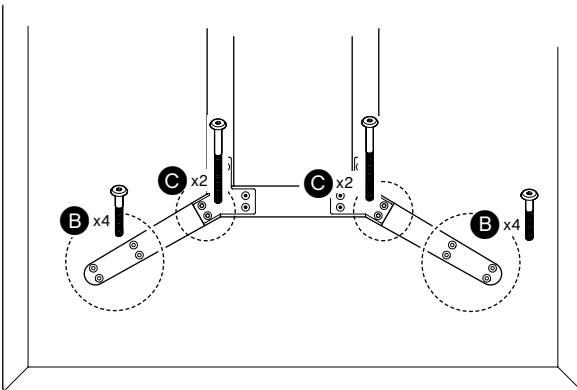
4.

Secure the legs with the screws **B** and **C** using the Allen key **D**. Insert all the screws and only tighten them loosely. Do not tighten them completely until step 5.



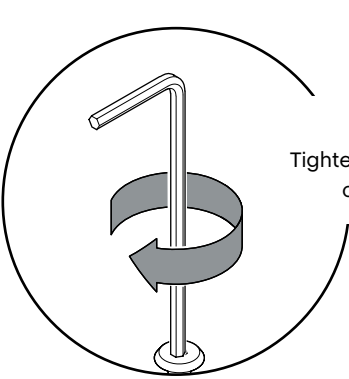
NOTICE

Be aware of the different lengths of the screws. Using the incorrect screw could damage the table.



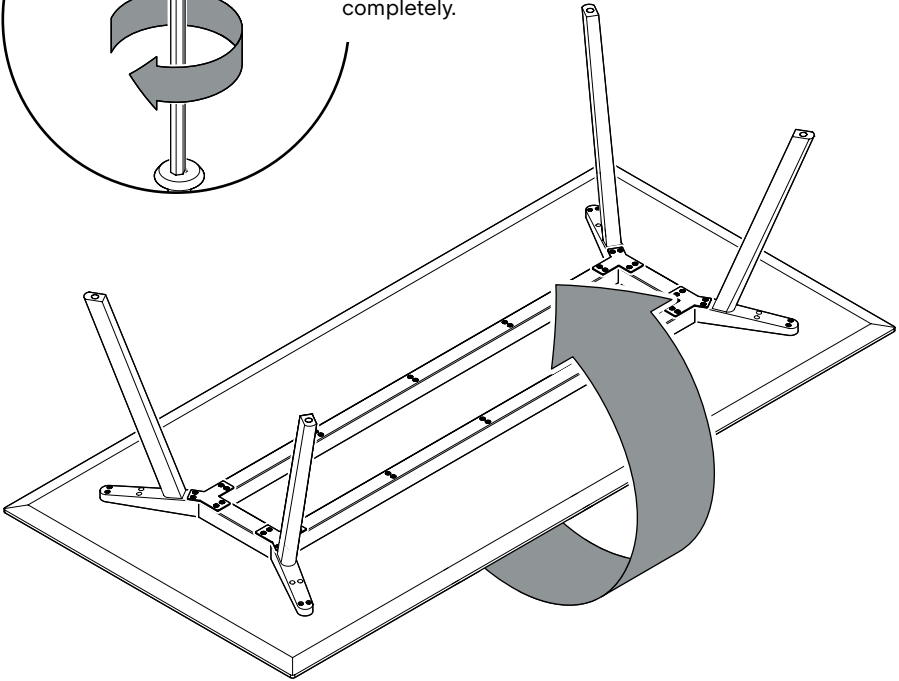
5.

Tighten all the screws completely. Then turn the table over.
(2 persons recommended).



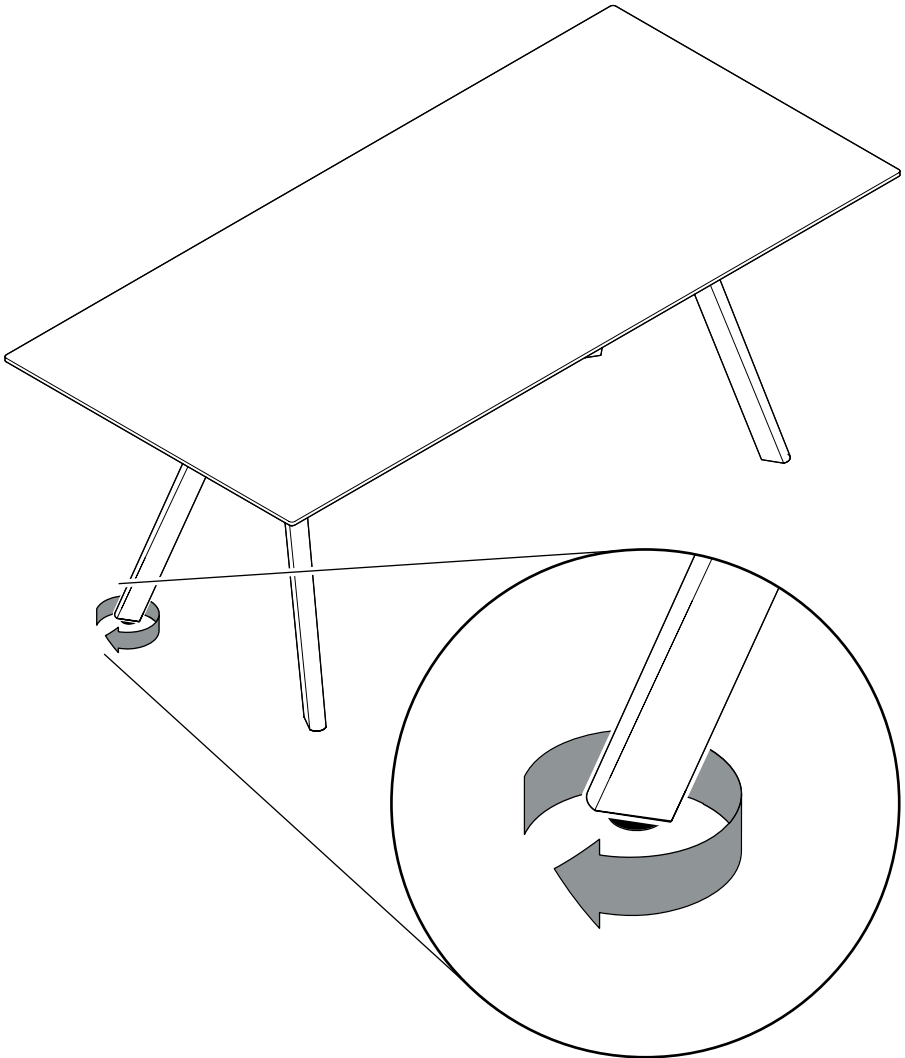
NOTICE

Tighten all the screws completely.



6.

If the floor is uneven and the table is wobbly, you can turn the feet to adjust them up and down to stabilise the table.



- CARE & MAINTENANCE -

Our Care & Maintenance offers guidance for optimal maintenance of your HAY product. It includes advice and instructions on cleaning and caring for specific materials to prolong the life of your furniture.



Please find our Care & Maintenance guide by scanning the QR code



You can find more relevant information on CPH 30 by scanning the QR code

You can also find the same information here
hay.dk/downloads

Havnen 1 8700 Horsens Denmark
+45 4282 0282 / hay@hay.com

www.hay.com

22/12/2021

HAY