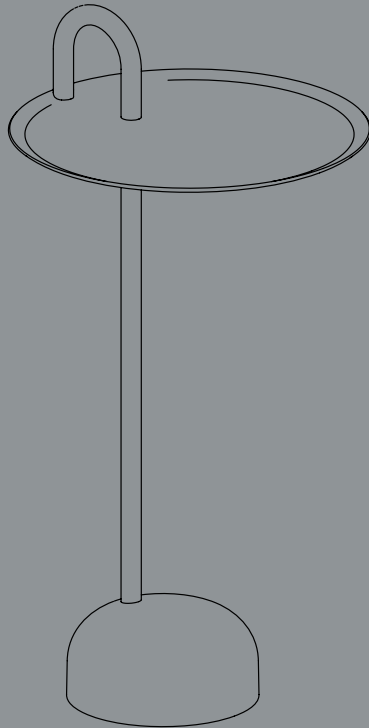


- INSTRUCTION MANUAL -

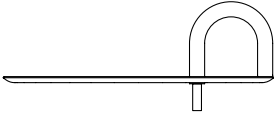
BOWLER



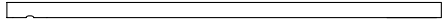
DESIGN BY SHANE SCHNECK

HAY

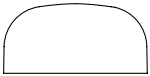
- PARTS -



A Tray x1



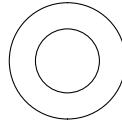
B Tube x1



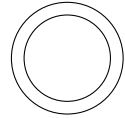
C Granite base x1



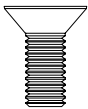
D Spring washer x1



E Washer x1



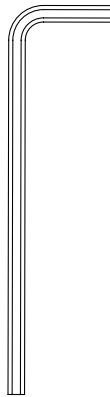
F Plastic washer x1



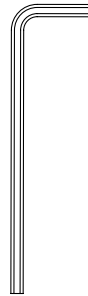
G Screw x1



H Screw x1



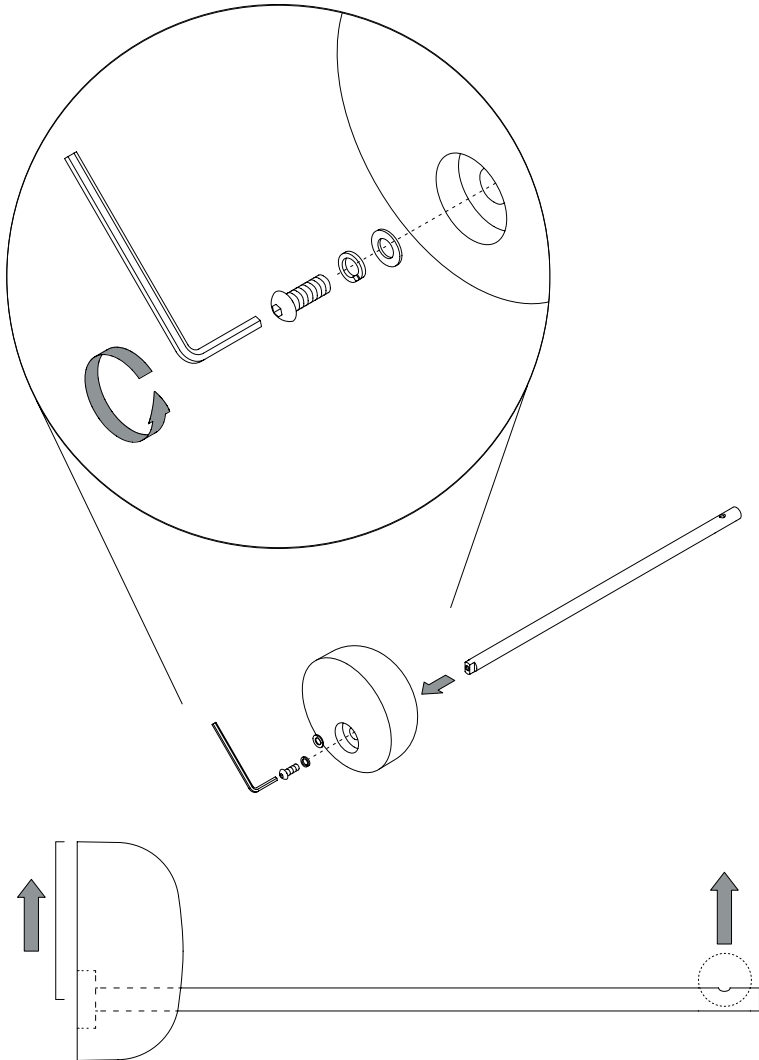
I Allen key
Large x1



J Allen key
Small x1

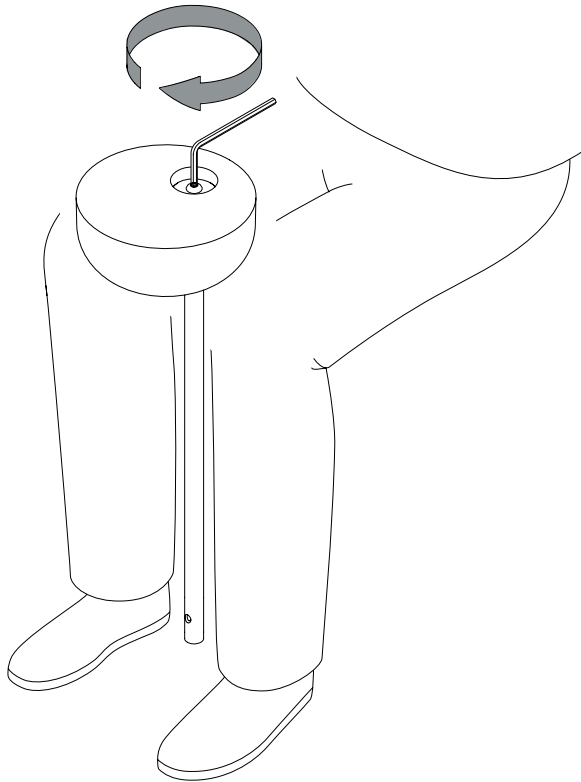
1.

Insert the tube **B** into the granite base **C**. Make sure the small hole on top of the tube is facing the long side of the granite base. Insert the screw **H**, spring washer **D** and washer **E** from the bottom, and secure them with the large Allen key **I**. Wait until the next step before fully tightening the screw.



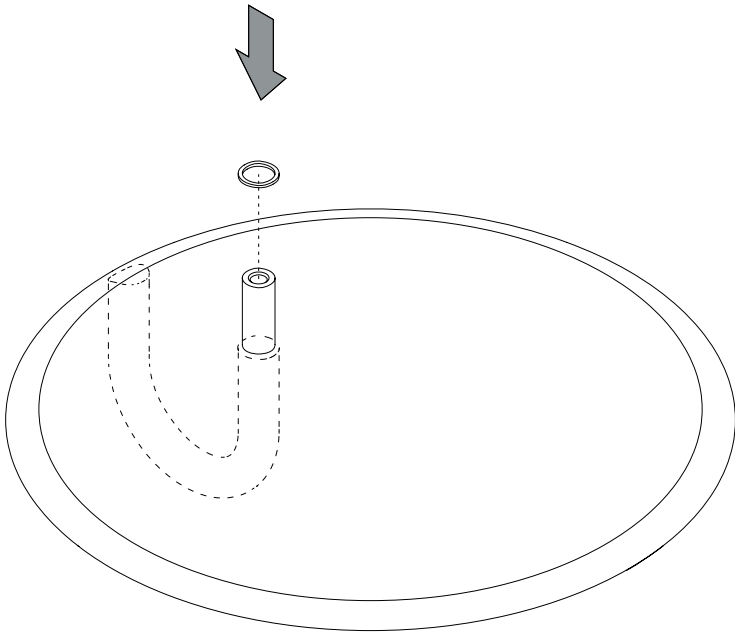
2.

To fully fasten the screw, turn the base upside down in your lap to get a good grip, and then tighten the screw completely.



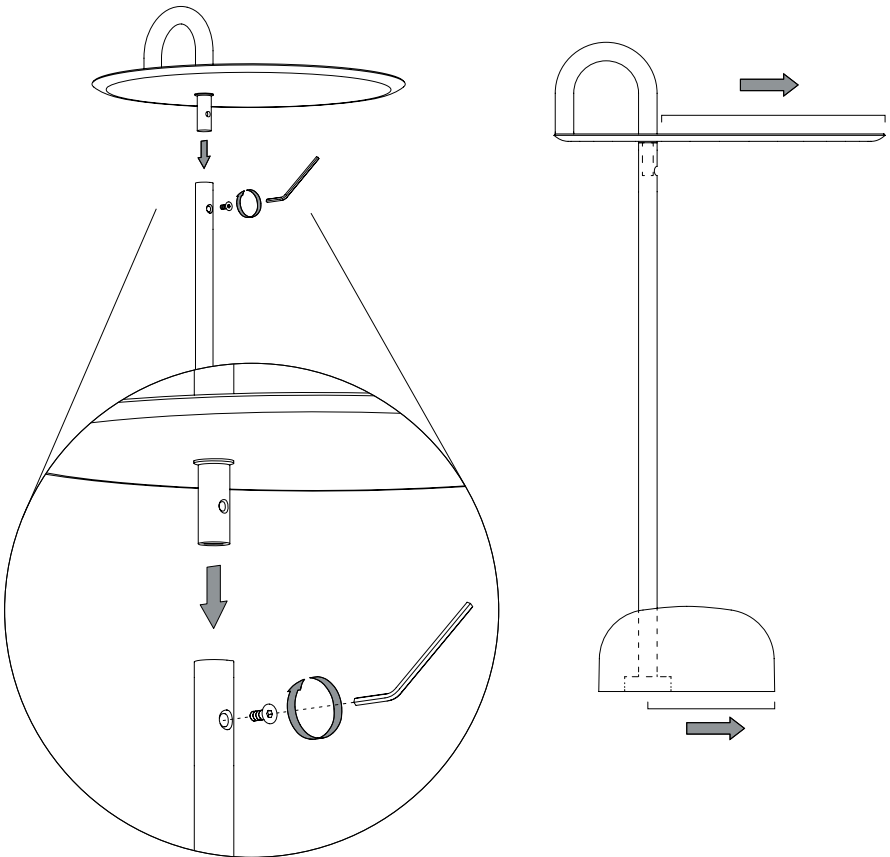
3.

Mount the plastic washer **F** to the pin on the bottom of the tray **A**.



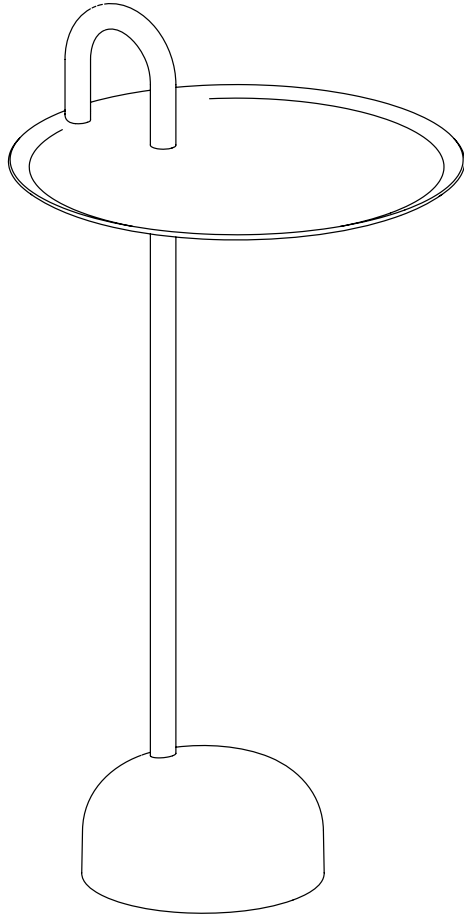
4.

Insert the tray's pin **A** into the tube **B**. Secure the connection by fastening the screw **G** with the small Allen key **J**. Make sure the long side of the tray is facing the long part of the base. Re-tighten both bottom and top screws after the table has been fully assembled.



5.

Done!



- CARE & MAINTENANCE -

Our Care & Maintenance offers guidance for optimal maintenance of your HAY product. It includes advice and instructions on cleaning and caring for specific materials to prolong the life of your furniture.

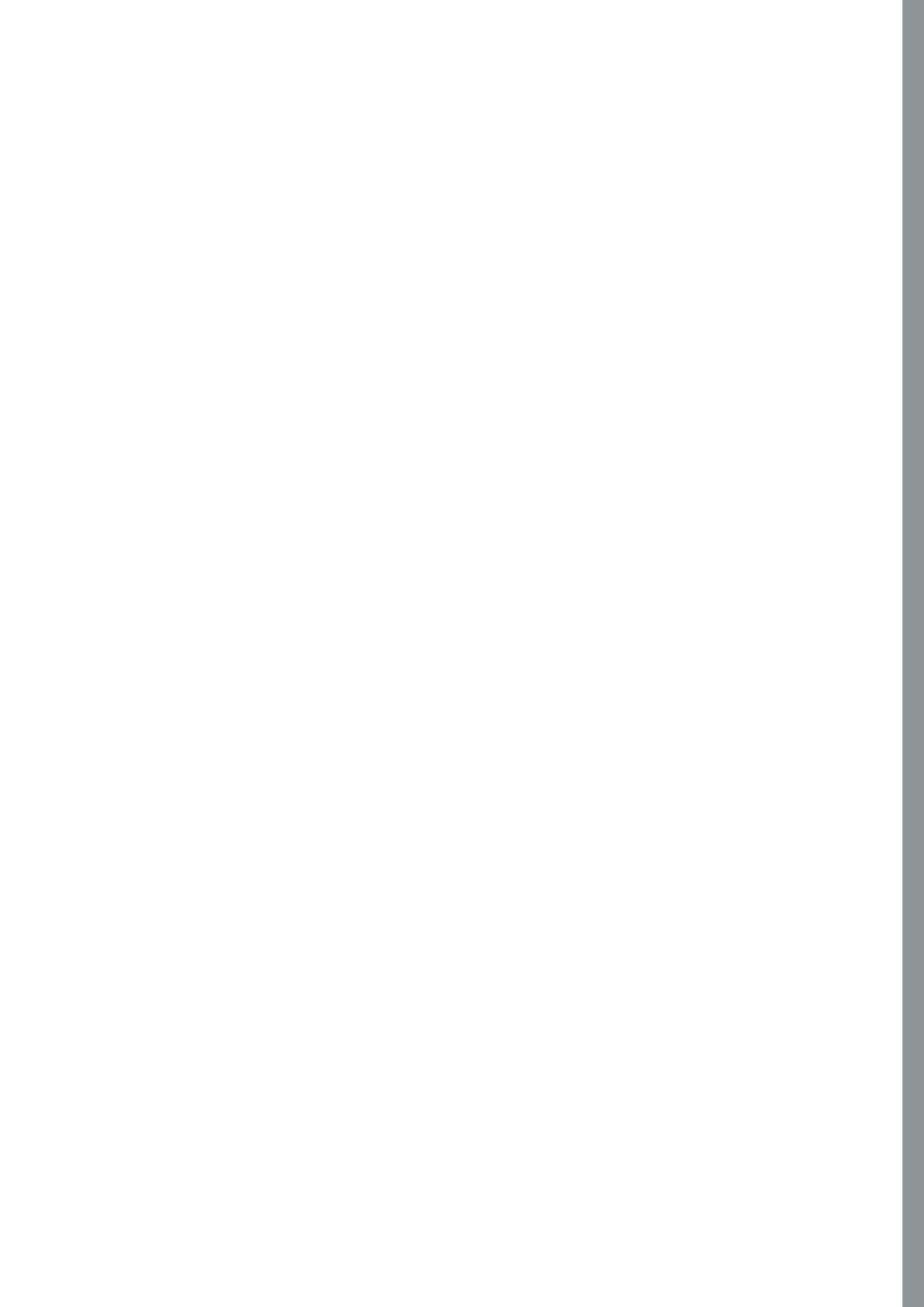


Please find our Care & Maintenance guide by scanning the QR code



You can find more relevant information on Bowler by scanning the QR code

You can also find the same information here
hay.dk/downloads



Havnen 1 8700 Horsens Denmark
+45 4282 0282 / hay@hay.com

www.hay.com

22/12/2021

HAY