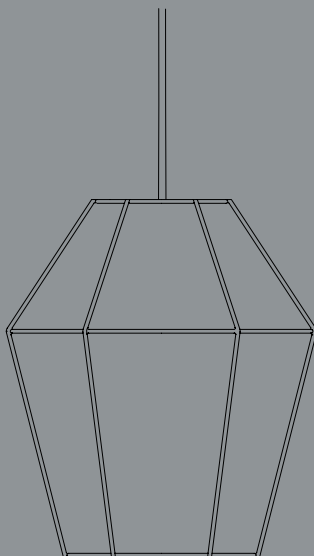


- INSTRUCTION MANUAL -

# BONBON SHADE



DESIGN BY ANA KRAŠ

# HAY



## - GENERAL INFORMATION -

### TECHNICAL DATA

This product is designed to be used in conjunction with the HAY Cord Set/Cord Set Table, or a similar cord set. HAY recommends using this product with LED bulbs.

FITTING TYPE | E27 (EU) or E26 (US)

POWER (W) | 8-15W

COLOUR TEMPERATURE | Warm white.

HAY will not accept any responsibility for any accidents, injuries or damages that occur due to the use of incorrect bulbs.

### ATTENTION

Ensure that the power supply to the circuit has clearly been turned OFF before installing the product. In some countries, electrical installation must be carried out by authorised electricians/contractors; please check with your local authority for guidance. The product must not be modified in any way. HAY accepts no responsibility for any products that have been modified or tampered with. The external flexible cable or cord of this luminaire cannot be replaced. If the cord is damaged, the luminaire should be replaced. This lamp is designed for indoor use only.

NOTE | The cord sets for the lamps are sold separately and are available in two designs – a table/floor variant with an in-line rocker switch, and a pendant variant for ceiling lamps. Both variants can be used with the different lamp shade sizes and are not supplied with a bulb. If you are using this shade in conjunction with the

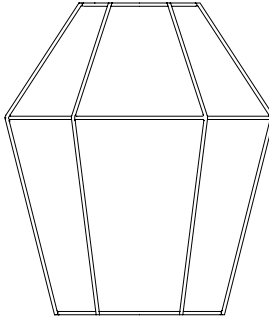
HAY Cord Set, please follow the instructions that have been provided with it for safe installation.

- The Bonbon Shade is designed to be used with LED based light sources only.

### CARE AND MAINTENANCE

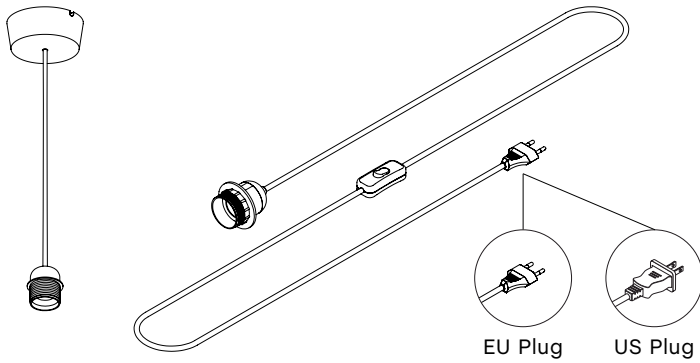
Do not use wet or damp cloths for cleaning and maintaining the shade. Please use a dry, lint-free cloth or duster to remove any dirt.

- PARTS -



Shade

NB: Shape and size may differ from the picture above.



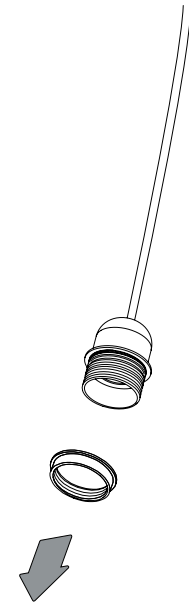
Cord Sets (not included)



LED Bulb (not included)

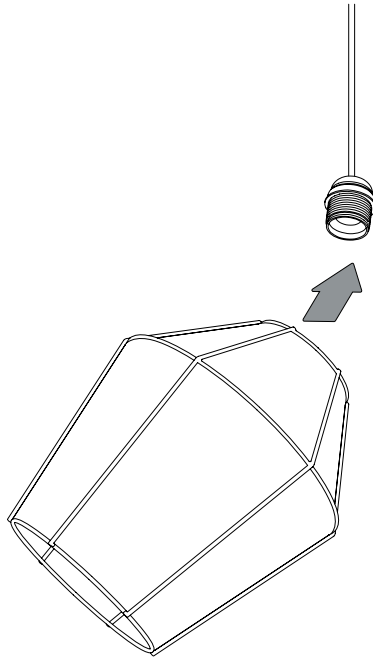
1.

Unscrew and remove the ring from the E27 (EU) or E26 (US) bulb holder of your chosen cord set.



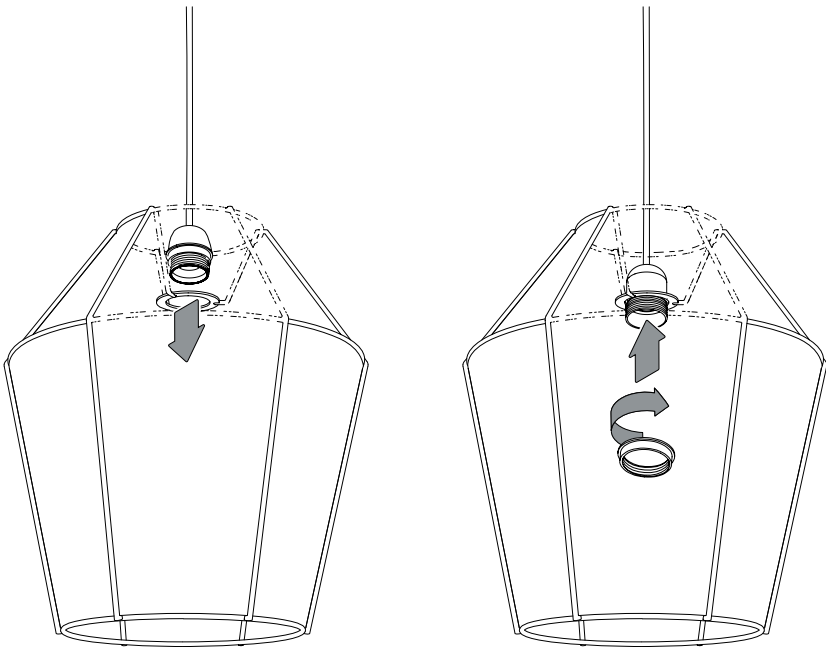
2.

Place the shade over the bulb holder, with the bulb holder facing downwards.



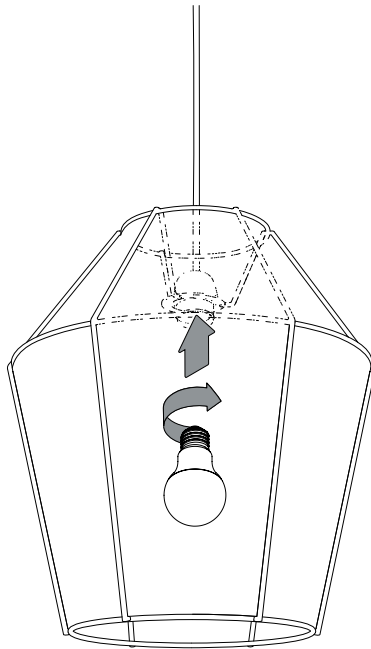
3.

Carefully lead the bulb holder through the hole at the top of the shade, and then screw the shade's lower ring back onto the bulb holder to secure the shade's frame to the bulb holder.



4.

Screw an LED light bulb into the bulb holder. Ensure the electricity is switched off before fitting the bulb to avoid damaging it.

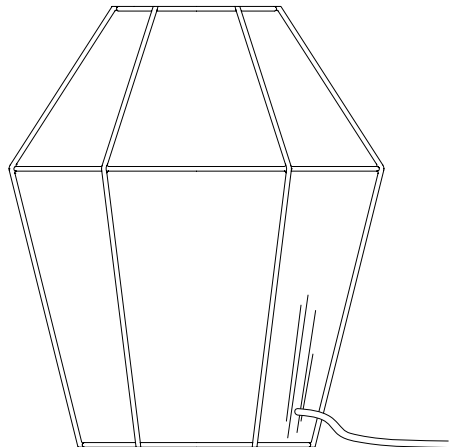
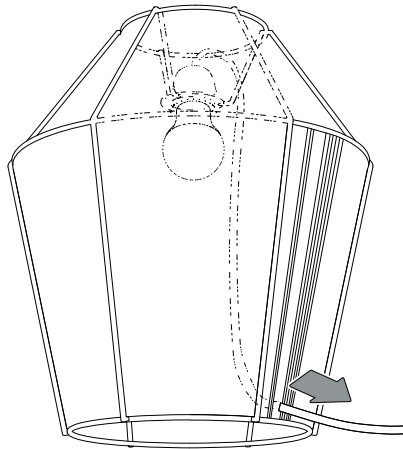




5.

Table Lamp only.

Carefully pull the table lamp cord set through the bottom of the weaving by gently separating the yarn threads.



- CARE & MAINTENANCE -

Our Care & Maintenance offers guidance for optimal maintenance of your HAY product. It includes advice and instructions on cleaning and caring for specific materials to prolong the life of your lighting.



Please find our Care & Maintenance guide by scanning the QR code



You can find more relevant information on Bonbon Shade by scanning the QR code

You can also find the same information here  
[hay.dk/downloads](https://hay.dk/downloads)



Havnen 1 8700 Horsens Denmark  
+45 4282 0282 / hay@hay.com

[www.hay.com](http://www.hay.com)

04/11/2021

**HAY**