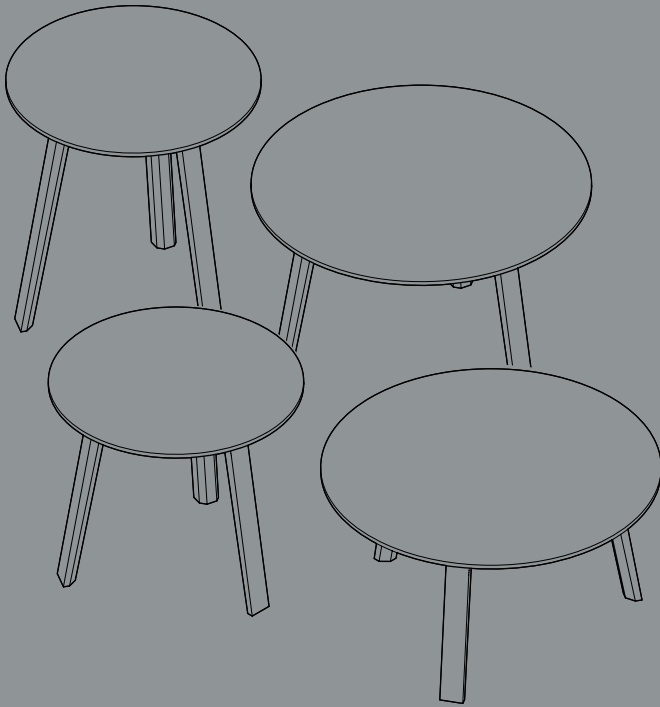


- INSTRUCTION MANUAL -

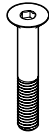
BELLA COFFEE TABLE



DESIGN BY HAY

HAY

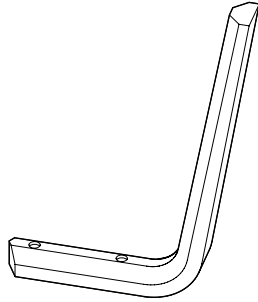
- PARTS -



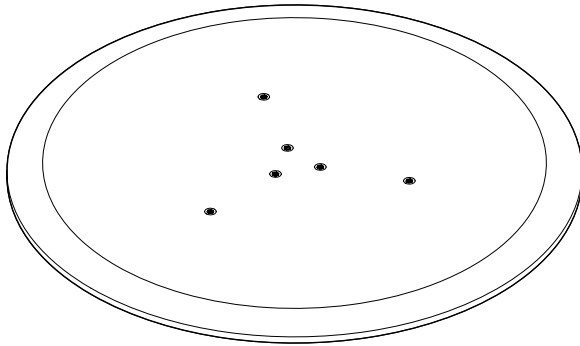
A Screw x6



B Allen key x1



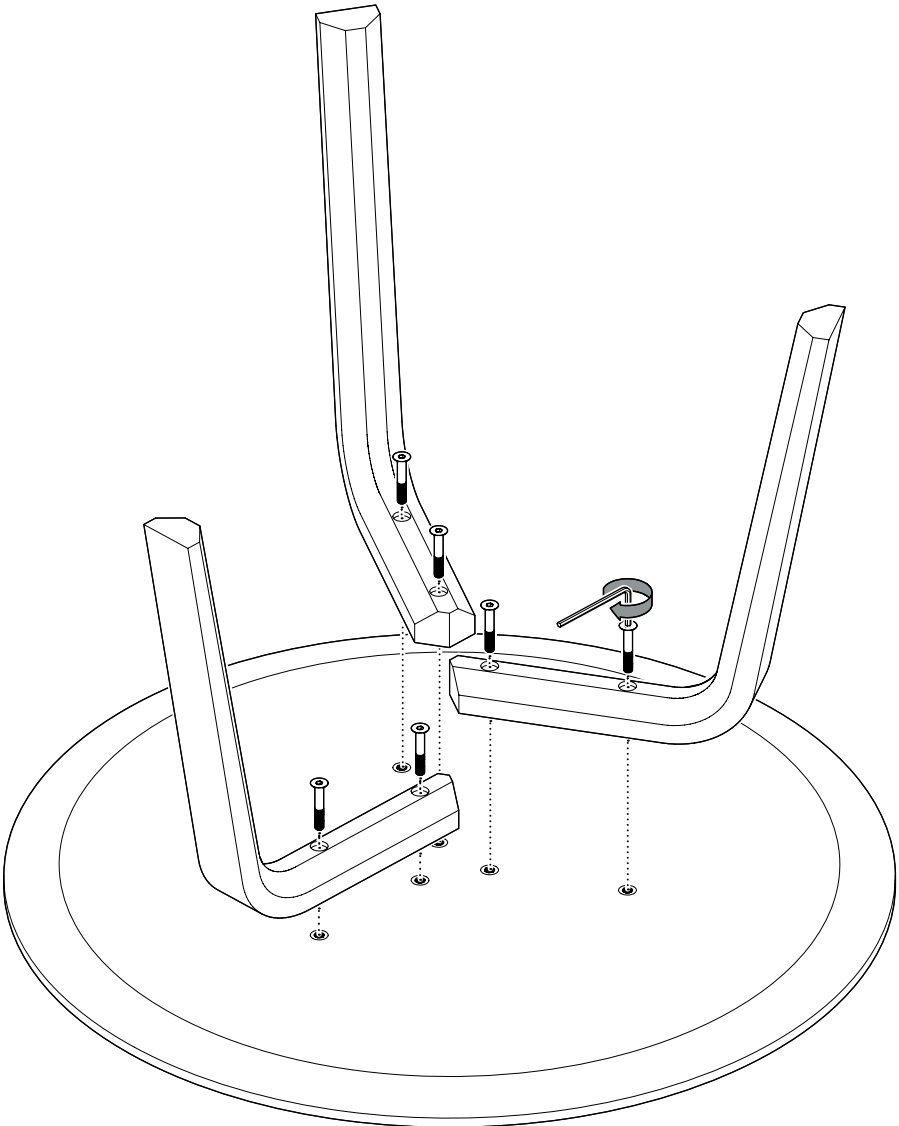
C Leg x3



D Table top

1.

Fasten the legs **C** to the table top **D** with the screws **A**, using the Allen key **B**.
Start by loosely tightening all the screws before tightening them all completely.



2.

Done!



Our Care & Maintenance offers guidance for optimal maintenance of your HAY product. It includes advice and instructions on cleaning and caring for specific materials to prolong the life of your furniture.



Please find our Care & Maintenance guide by scanning the QR code



You can find more relevant information on Bella Coffee Table by scanning the QR code

You can also find the same information here hay.dk/downloads

HAY

Havnen 1 8700 Horsens Denmark
+45 4282 0282 / hay@hay.com

www.hay.com

22/12/2021

HAY