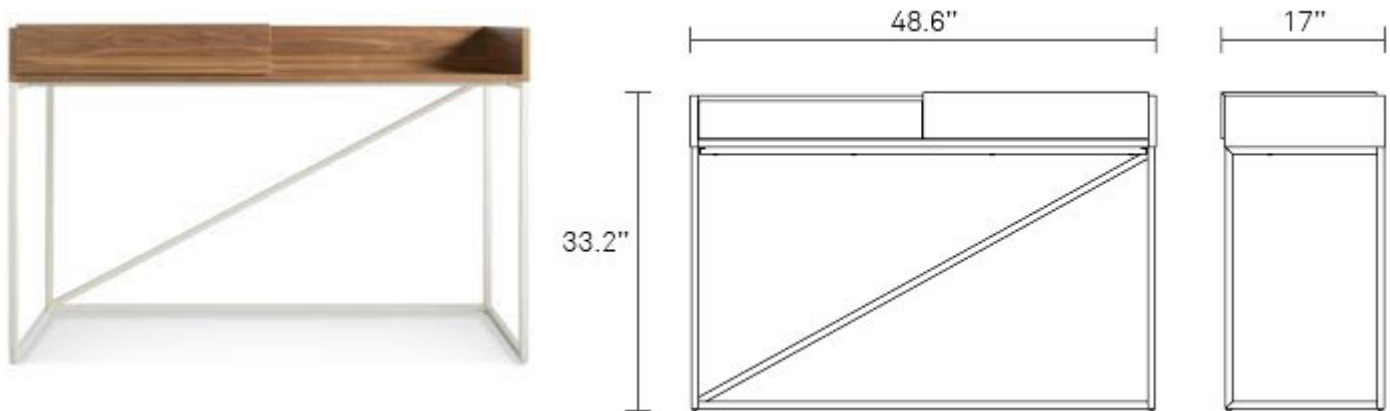


Swish Console Desk



We don't know exactly what it is, but it is whatever you need it to be. Sliding top to conceal or reveal more work space. Pencil and/or junk drawer. Cord management slot. Modern desk, console, mini buffet, home office headquarters. Voila!



WALNUT



WHITEWASHED ASH



MATTE SLATE



MATTE WHITE

Product Details

- Powder-coated steel base
- Cord management
- Whitewashed ash or walnut veneer top
- Assembly required

SU1-CNDKWL-WH

WALNUT / MATTE WHITE

\$850

SU1-CNDKWL-GY

WALNUT / MATTE SLATE

\$850

SU1-CONDSK-GY

WHITEWASHED ASH / MATTE SLATE

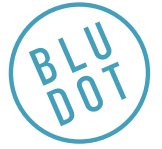
\$850

SU1-CONDSK-WH

WHITEWASHED ASH / MATTE WHITE

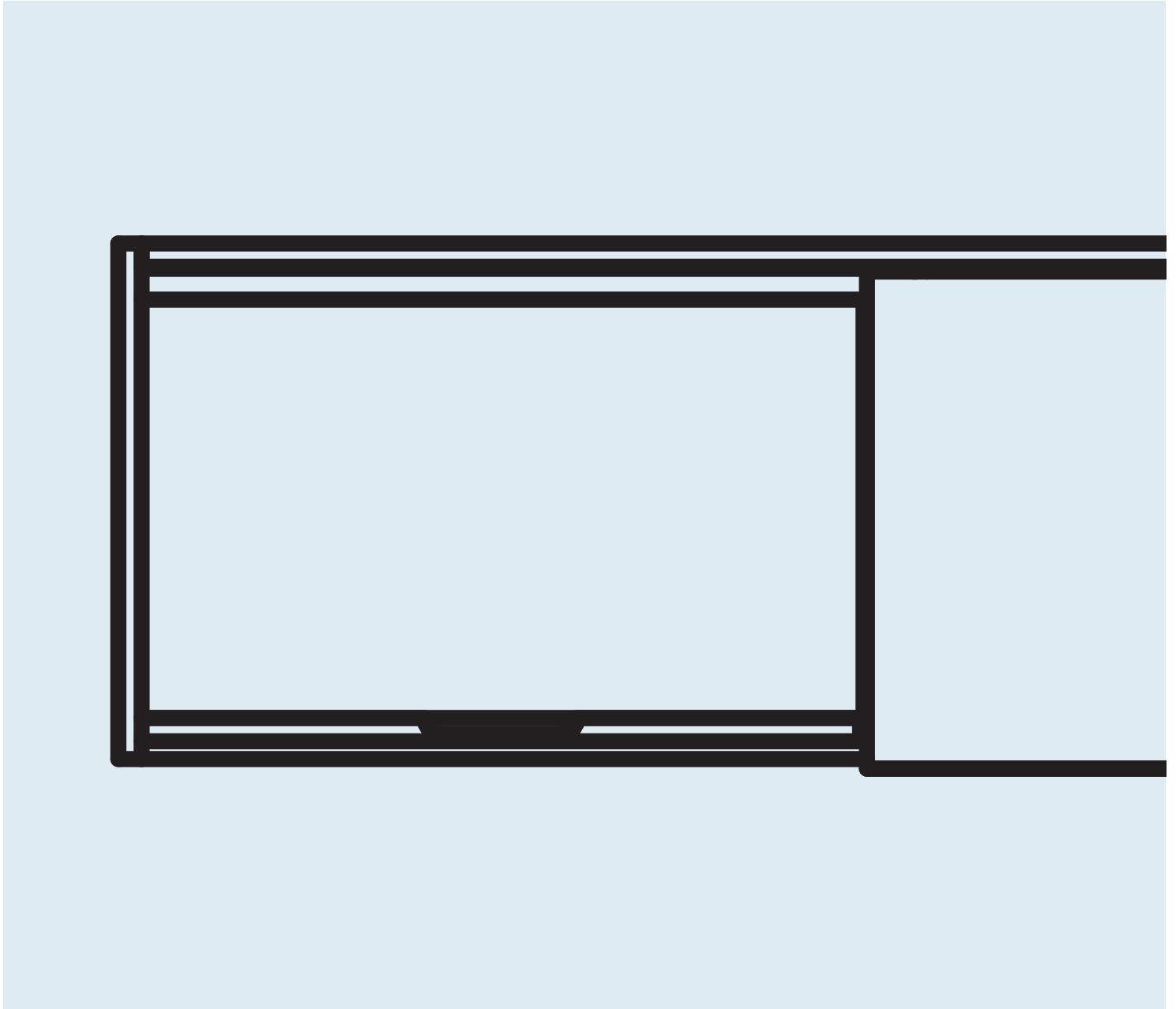
\$850

Swish Console Desk



DESIGNED IN 2014

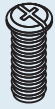
ASSEMBLY NOTES | REV 00



JE NE SAIS QUOI.

We don't know exactly what it is, but it is whatever you need it to be.
Sliding top to conceal or reveal more work space. Pencil and/or junk drawer.

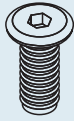
Parts & Hardware



QTY

2

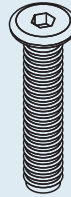
Pt. 1065



QTY

8

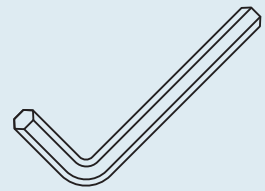
Pt. 1063



QTY

4

Pt. 1064



QTY

1

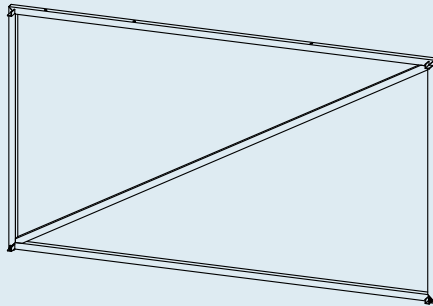
Pt. 9002



QTY

1

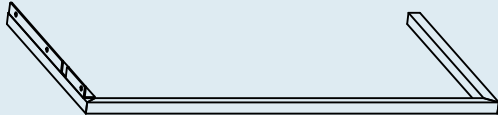
Frame Support



QTY

1

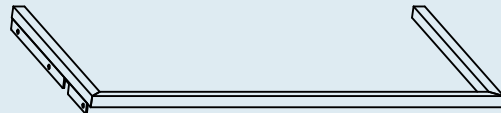
Back Frame



QTY

1

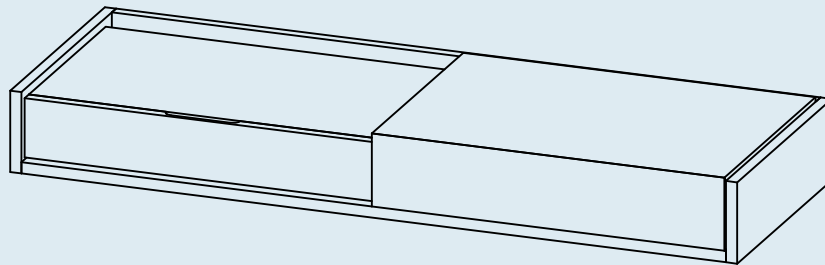
Left Side Frame



QTY

1

Right Side Frame



QTY

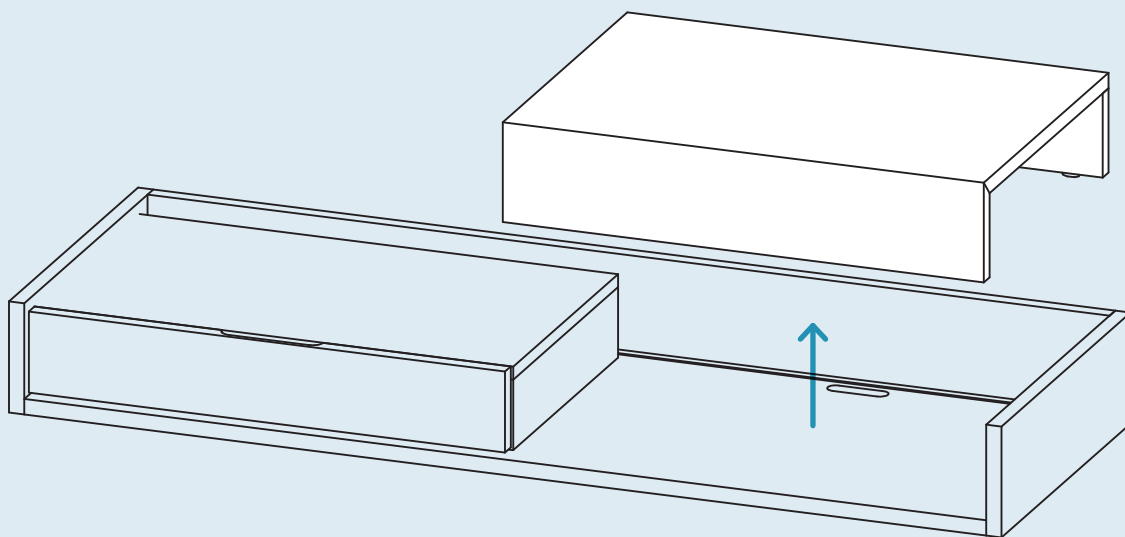
1

Case

Step 01

REMOVE TOP SLIDER BEFORE ASSEMBLY.

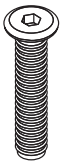
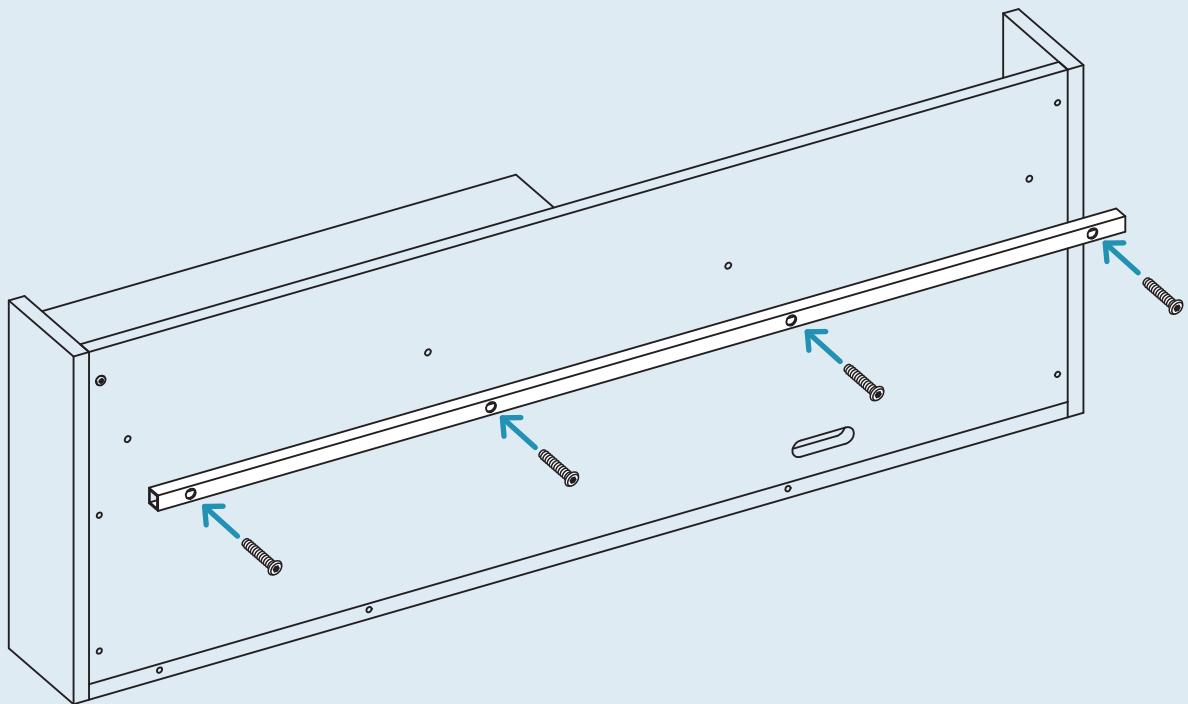
Remove sliding top frame prior to assembly to prevent damage.



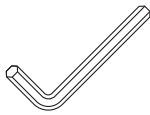
Step 02

ATTACHING THE FRAME SUPPORT.

Attach the frame support rail to the bottom face of the case as shown using the provided hardware.



PT. 1064 x 4

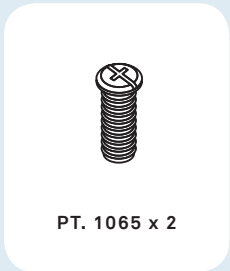
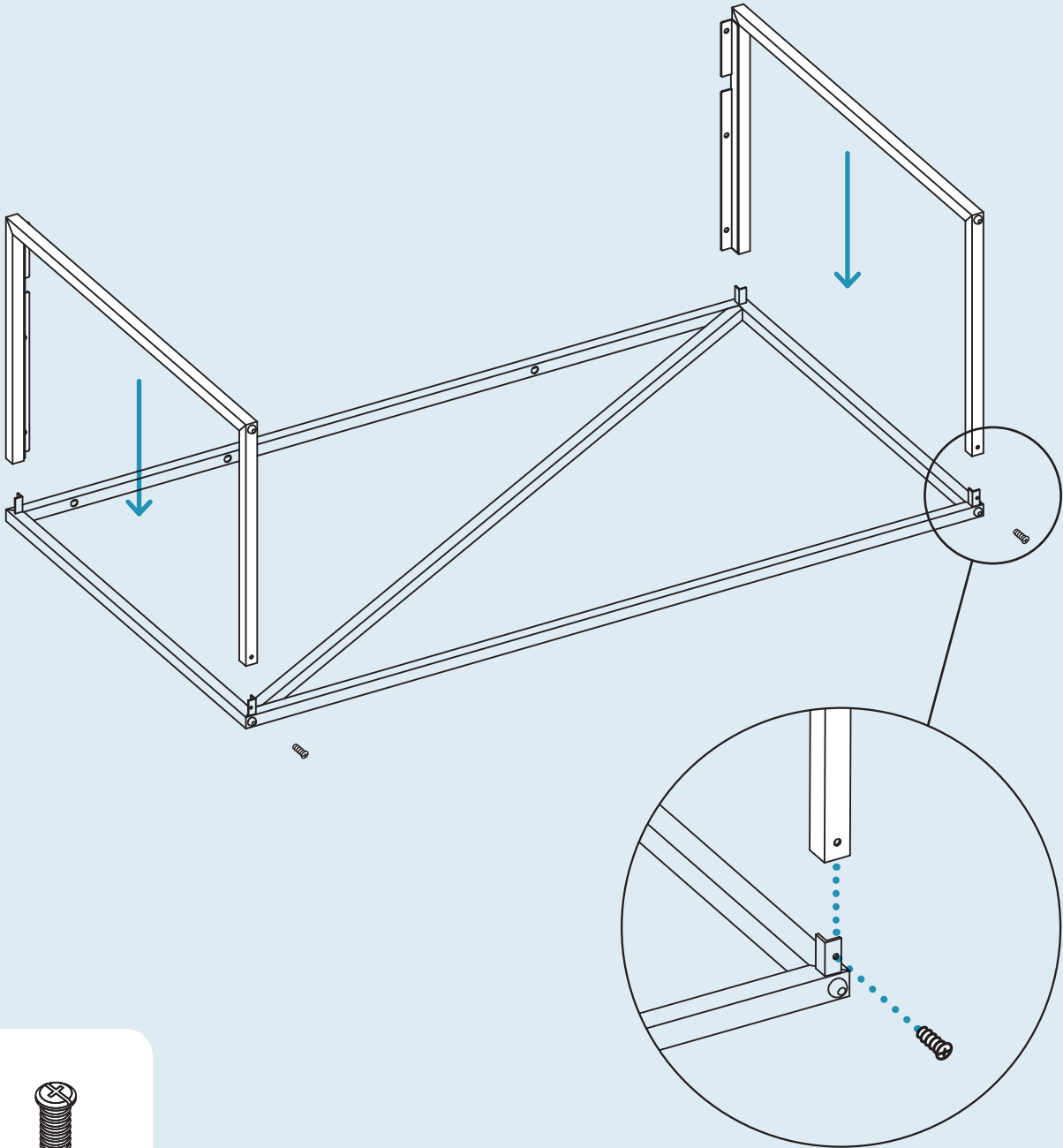


PT. 9002 x 1

Step 03

ASSEMBLING THE BASE FRAME.

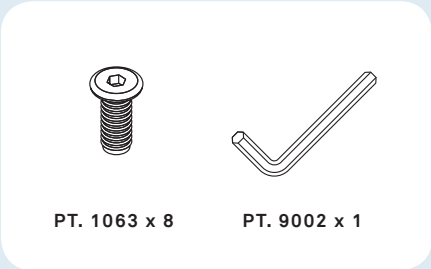
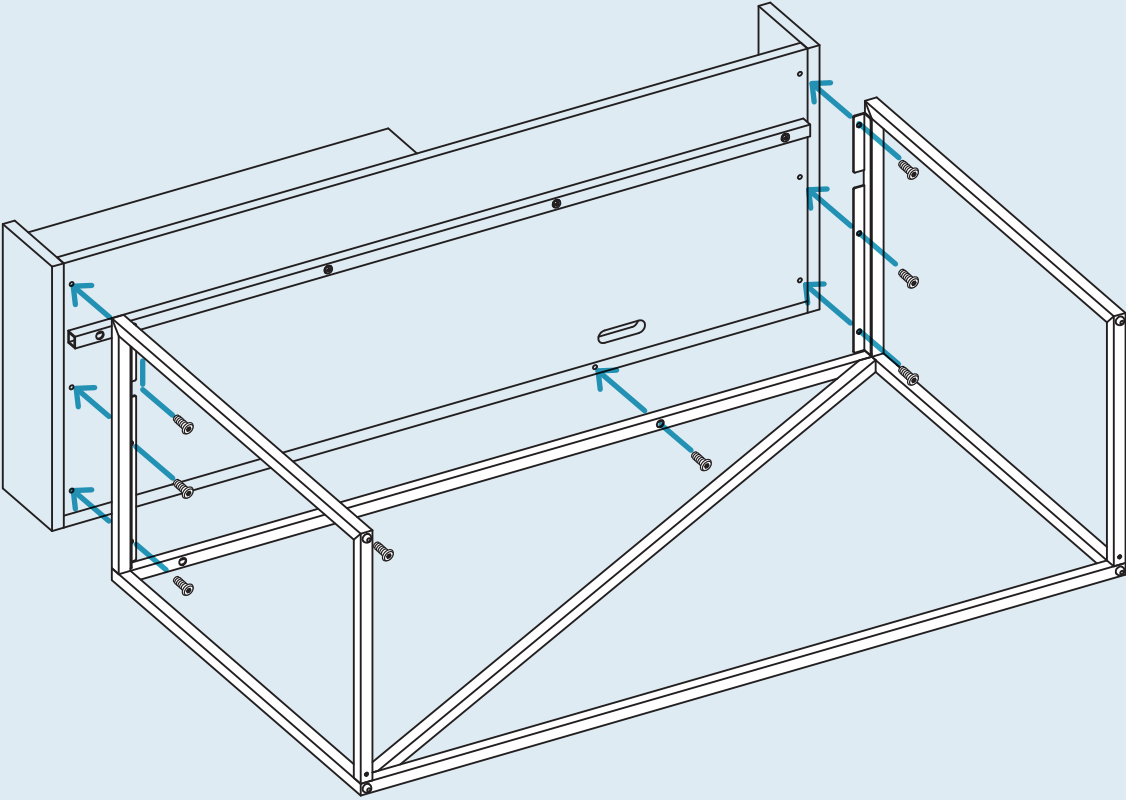
Assemble the base frame as shown using the provided hardware.



Step 04

ATTACHING THE BASE FRAME.

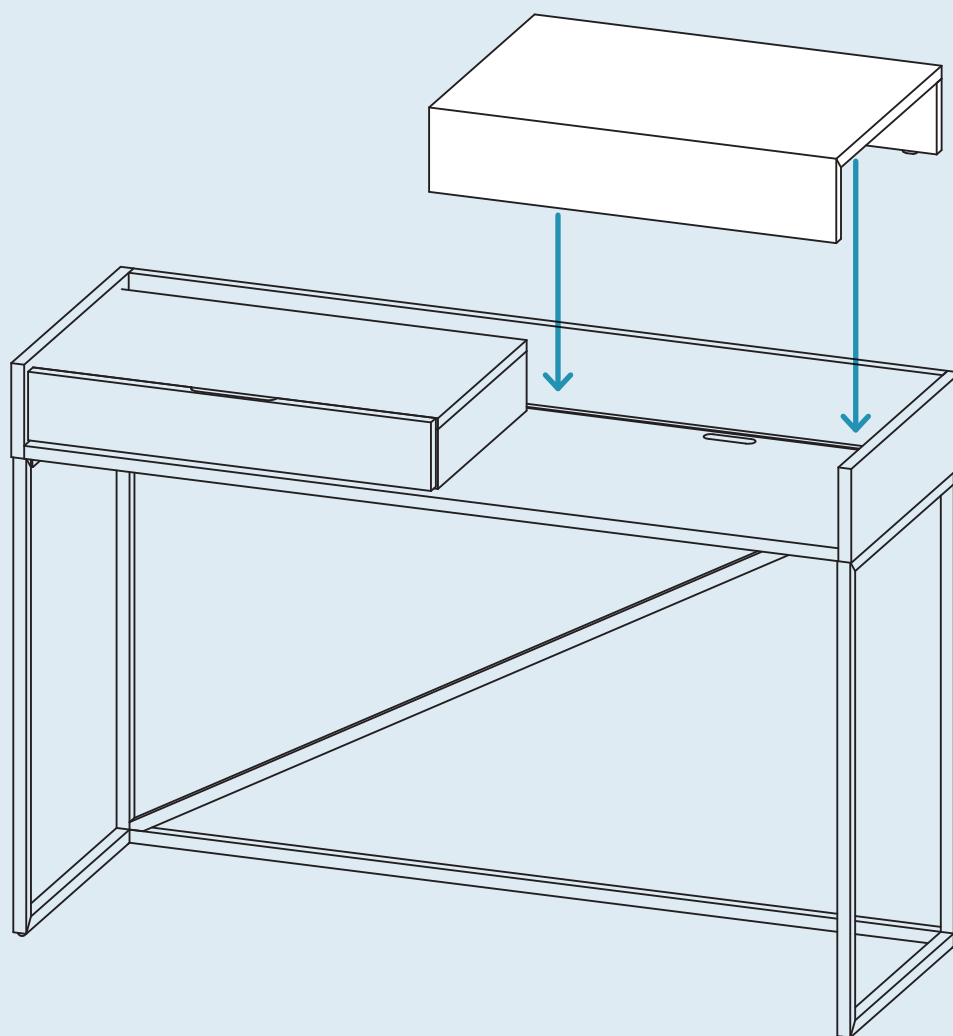
Attach the base frame to the case as shown using the provided hardware.



Step 05

PLACING THE TOP SLIDER.

Align the shift wheels with the track at the back of the table top. Gently lower into place.



Additional Information

CLEAN

Clean with a slightly damp, soft cloth. To remove dirt and fingerprints, use a quality cleaner formulate for wood furniture. Wipe completely dry with a soft cloth in the direction of the wood grain.

