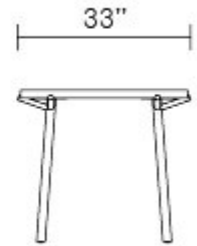
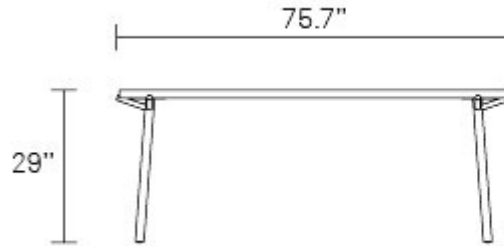




Branch 76" Dining Table

Sculptural powder-coated steel legs handsomely prop up solid wire-brushed oak. This table is available in square, 76" and 91" sizes.



BLACK ON OAK / BLACK OAK / BLACK OAK / GREY OAK / WHITE

Product Details

- Solid wire-brushed oak top
- Grey, black or white powder-coated steel legs
- Solid wood may react dynamically to its environment and swell and crack with changes in humidity and temperature
- Seats six comfortably
- Some assembly required

BR1-76TBBK-BK

BR1-75TBLE-OK

BR1-75TBGY-OK

BR1-76TBWH-OK

BLACK ON OAK / BLACK

OAK / BLACK

OAK / GREY

OAK / WHITE

\$1,695

\$1,695

\$1,695

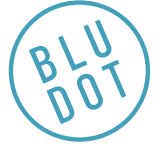
\$1,695

BLUDOT.COM

TEL 844.425.8368

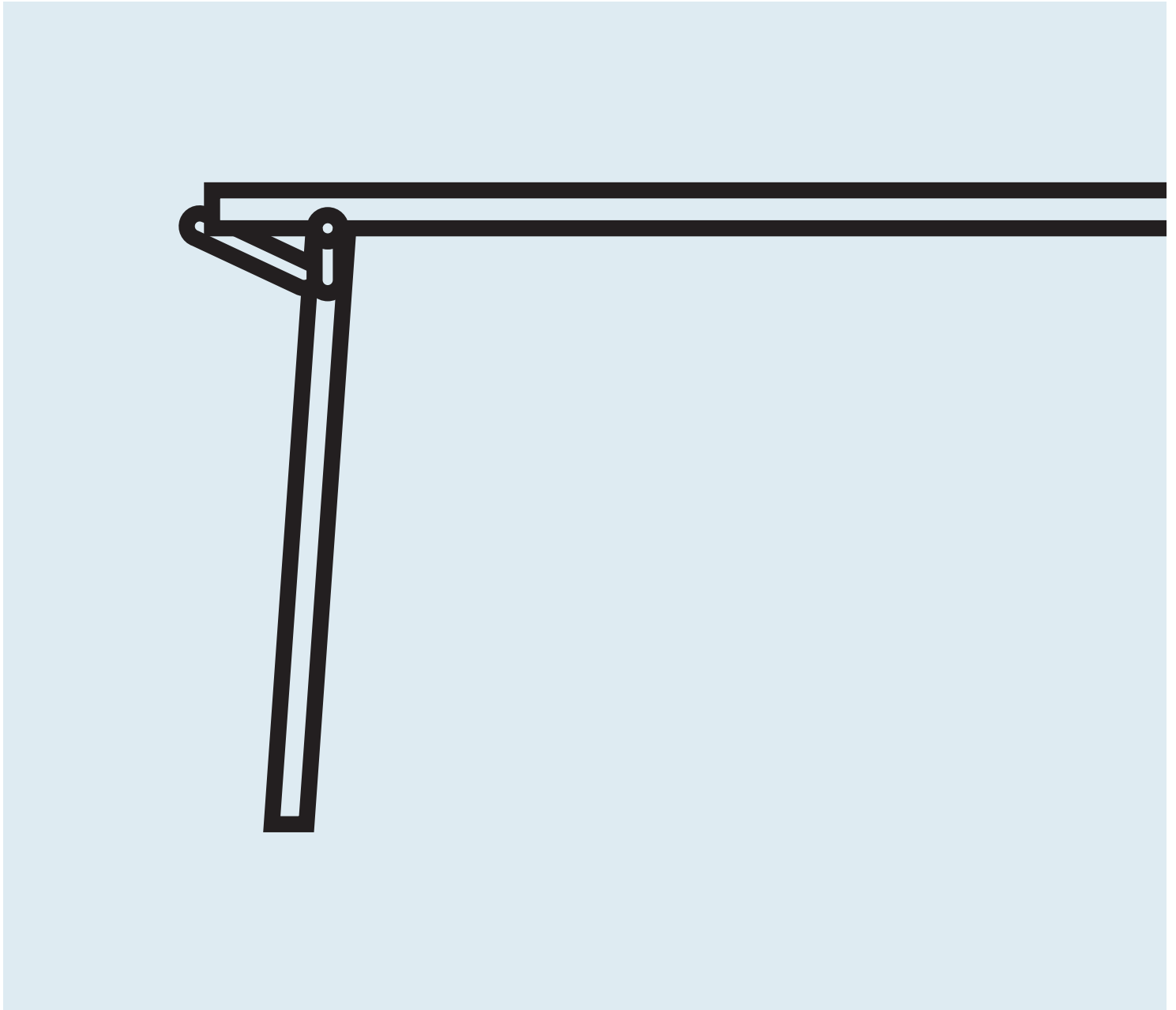
service@bludot.com

Branch Collection



DESIGNED IN 2010

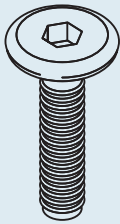
ASSEMBLY NOTES | REV 00



LET'S GET HEAVY.

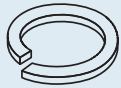
Sculptural powder-coated steel legs
handsomely prop up solid weathered oak.

Parts & Hardware



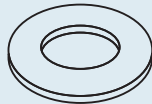
QTY 16

Pt. 1603



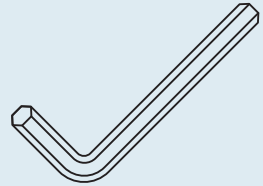
QTY 16

Pt. 3001



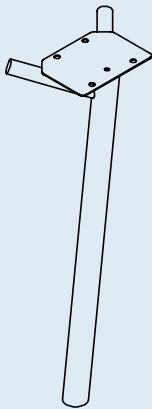
QTY 16

Pt. 3002



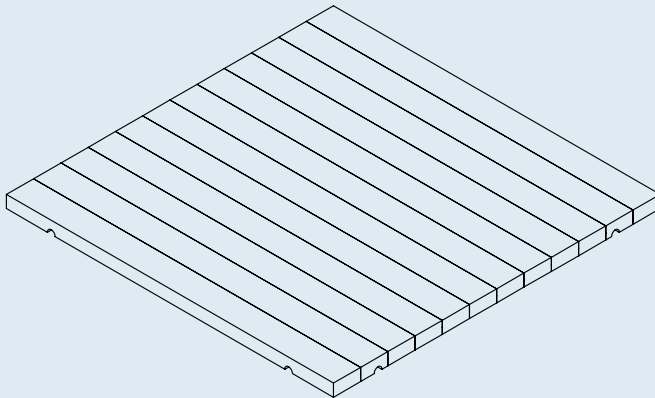
QTY 1

Pt. 9004



QTY 4

Leg



QTY 1

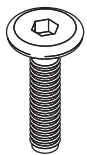
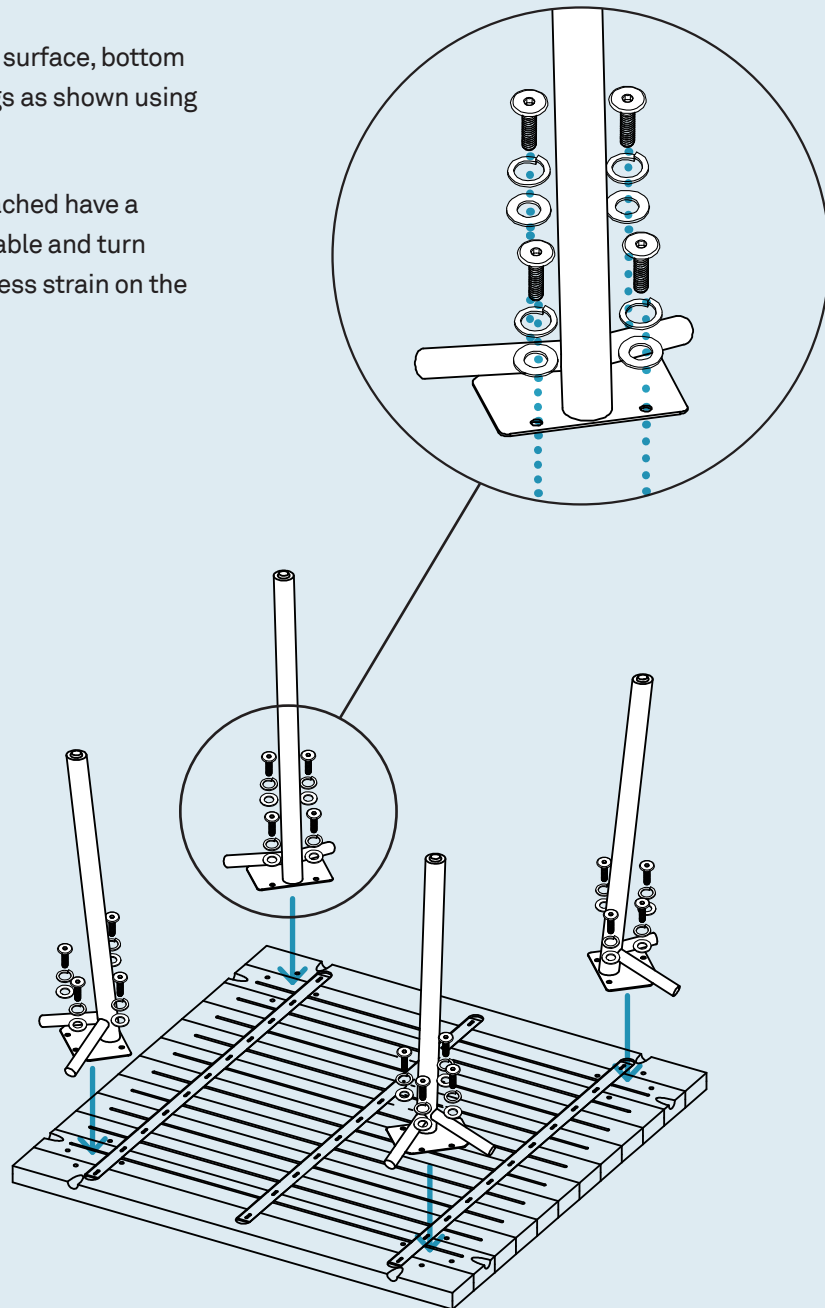
Top

Step 01

ATTACHING THE LEGS.

Place the top panel on a soft surface, bottom side facing up. Attach the legs as shown using the provided hardware.

Once the legs have been attached have a second person help lift the table and turn upright. This will prevent excess strain on the legs.



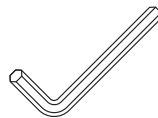
PT. 1603 x 16



PT. 3001 x 16



PT. 3002 x 16



PT. 9004 x 1

Additional Information

CLEAN

Clean with a slightly damp, soft cloth. To remove dirt and fingerprints, use a quality cleaner formulate for wood furniture. Wipe completely dry with a soft cloth in the direction of the wood grain.

