

Ava Hanger



Hanger

Home Accessories—Product Sheet
menu.as

by Theresa Arns



Ava Hanger

Product Type

Hanger

Production Process

The hanger is made from powder coated steel and brass or stainless steel wire.

Dimension (cm / in)

H: 21 cm / 8,3"

W: 44 cm / 17,3"

D: 0,5 cm / 0,2"

Weight item (kg)

0,2 kg

Materials

Powder Coated Steel, Brass

Powder Coated Steel, Stainless Steel

Colours

Brushed Brass / Black (RAL 9005)

Stainless Steel / White (RAL 9016)

Packaging Type

Giftbox

Packaging Measurement (H * W * D)

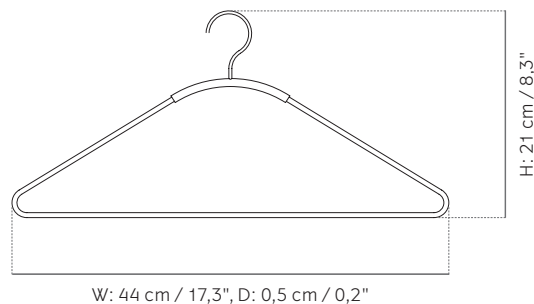
Tealight: 44,5 cm * 13 cm * 21,5 cm

Candle Holder: 44,5 cm * 11,5 cm * 21 cm

Care Instructions

Use a soft dry cloth to clean. Do not use any cleaners with chemicals or harsh abrasives.

The brass will oxidise from the moment it is exposed to air. To maintain a shiny appearance, use a mild metal polish and a soft cloth. Avoid using water.



Striving to elevate a humble everyday object, the Ava Hanger is simple yet sophisticated – exploring the possibility that a hanger can be an object of beauty. Ava reinterprets the classic triangular hanger by its combination of materials and detail, made from black powder-coated steel, held together by a brass piece.

About the Designer

Studio Theresa Arns, is a Copenhagen based design studio working on furniture and interior design projects. The studio's works focuses on the use of high quality, natural materials and the way in which they are combined. The outcome is a range of functional but poetic furniture with a story to tell, and spaces with a strong atmosphere, which put focus back on the people living and acting in these spaces.

Ava Hanger



Black / Brass

9000839



White/Stainless Steel

9001639