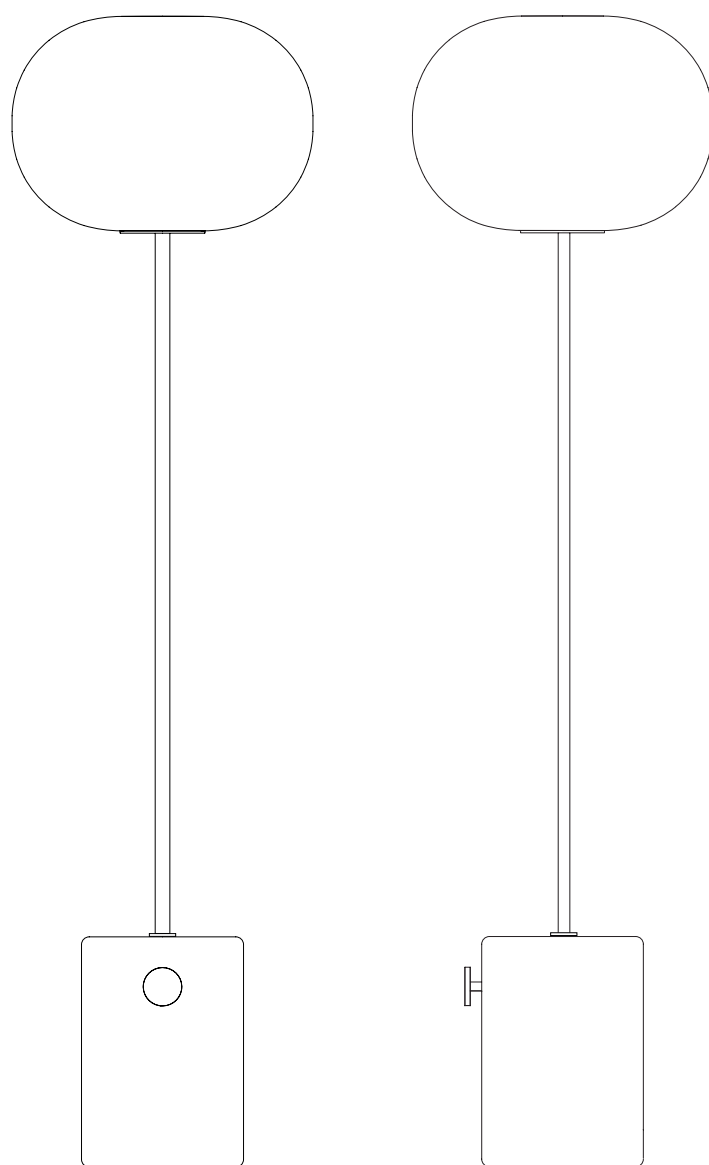


JWDA Floor Lamp by Jonas Wagell



Congratulations:

Congratulations on your new lamp designed by Jonas Wagell. We hope you will enjoy using this lamp and follow these instructions to ensure correct installation. These instructions are provided for your safety. It is important that the instructions are read carefully and completely before assembling.

NB!!

Always moving the lamp lift the Lamp by its base and **NOT the stem**. This is to avoid bending of the stem

Component Overview:

1 pc JWDA Floor Lamp Base, Travertine Stone and Bronzed Brass and 1 pc Opal Glass Shade or
1 pc JWDA Floor Lamp, White Marble and Brushed Brass and 1 pc Opal Glass Shade.

Technical details:

250 cm Textile Cord w.o. Dimmer (Dimmer on base).
E27 Bulb, (Included).

Bulb:

E27 (Arbitrary)
8 W, 230 V
720 lm
2200 Kelvin
Ra > 80

This product contains a light source of energy efficiency class <F>.

The Lamp is tested according to:

LVD: EN 60598-2-4:1997; EN 60598-2-1:1989; EN 60598-1:2015; EN 62493:2015
EMC: EN 55015:2013 + A1:2015; EN 61547:2009; EN 61000-3-2:2014; EN 61000-3-3:2013

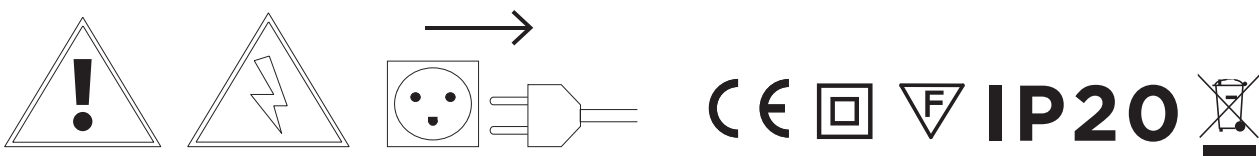
Please check the specific rules for electrical installation work in your country.
Some countries may require an authorised electrical contractor.

IMPORTANT

If you have any problems regarding the electrical installation, contact a certified electrician. Always shut off power to the circuit before starting installation work. The external flexible cable or cord of this luminaire cannot be replaced. If the cord is damaged, the luminaire shall be destroyed.

Care Instructions:

To clean simply wipe with a soft dry cloth. Turn off power before cleaning. Do not use any cleaners with chemicals, solvents, or harsh abrasives. The Brass parts are made off solid brass material. Solid Brass is a natural material, which will oxidize from the moment it is exposed to air. But to avoid the oxidation process we have added a fine layer of lacquer to keep the surface colour even.

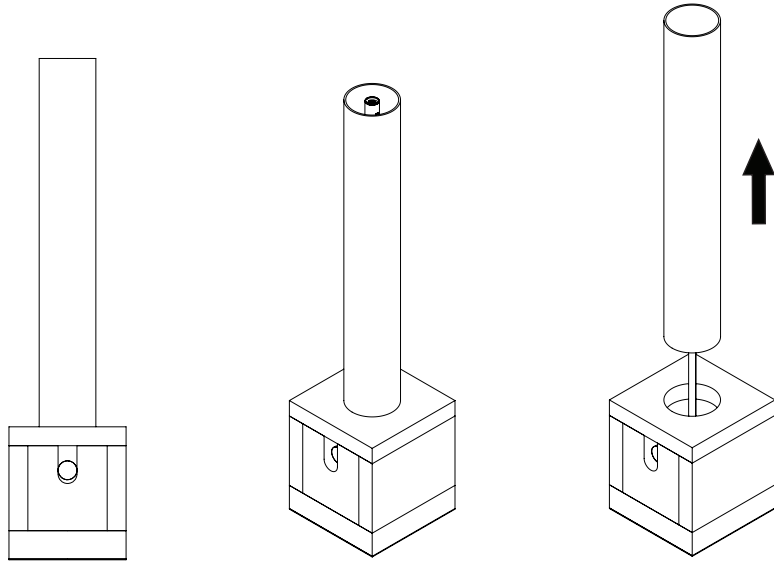




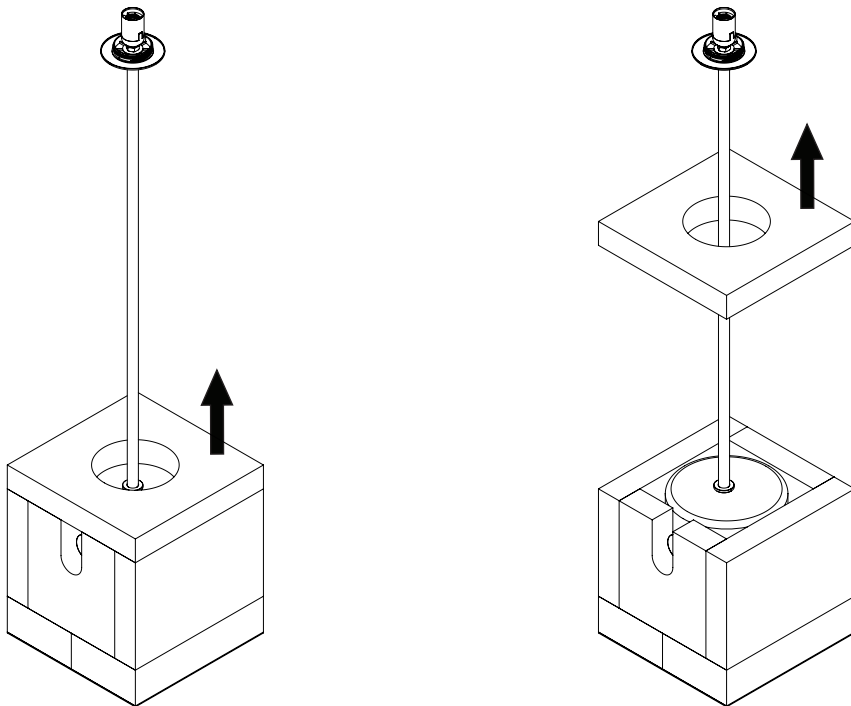
Correct Disposal of this product

This marking indicates that this product should not be disposed with other household wastes throughout the EU. To prevent possible harm to the environment or human health from uncontrolled waste disposal, recycle it responsibly to promote the sustainable reuse of material resources. To return your device, please use the return and collection system or contact the retailer where the product was purchased. They can take this product to environmentally safe recycling.

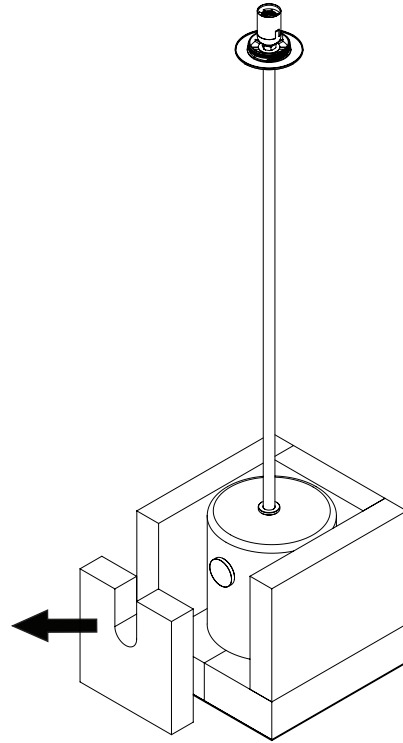
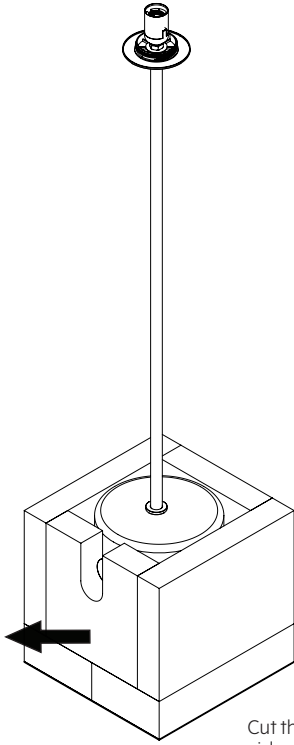
1



2

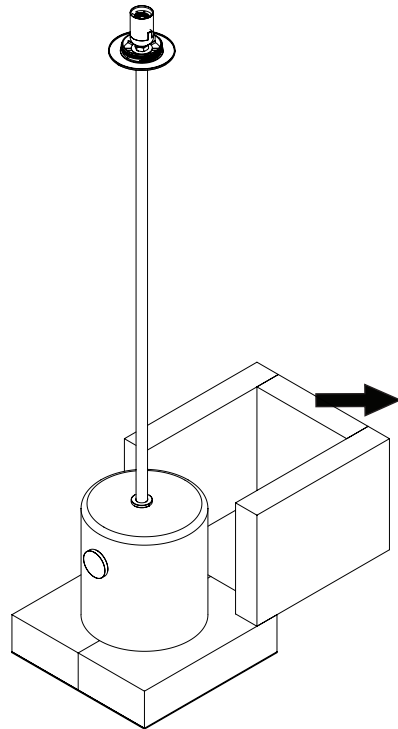
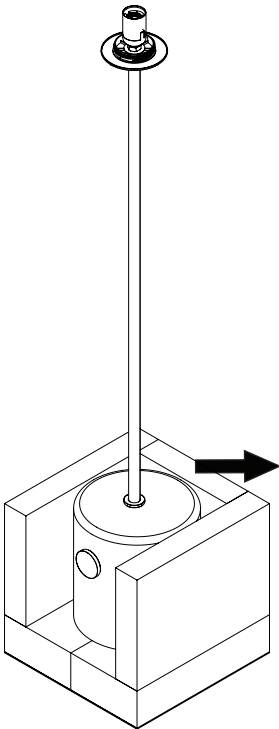


3

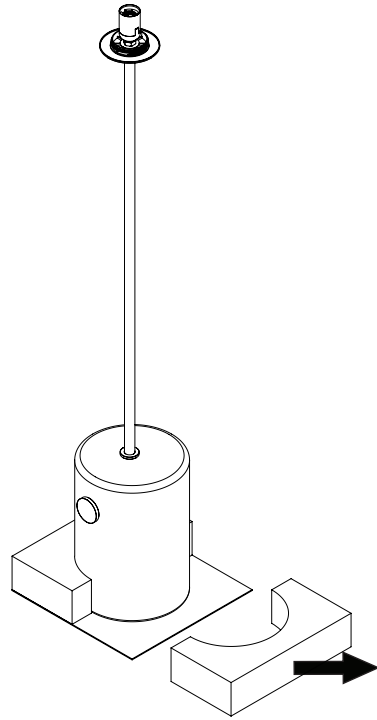
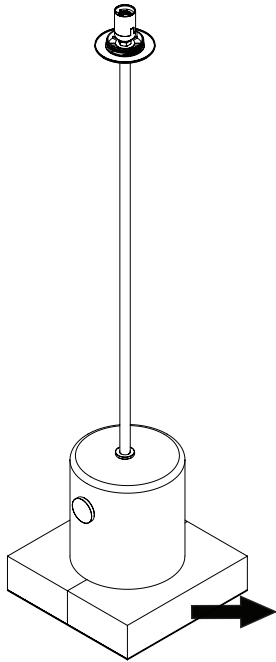


Cut the tape in the sides, and remove the part as shown.

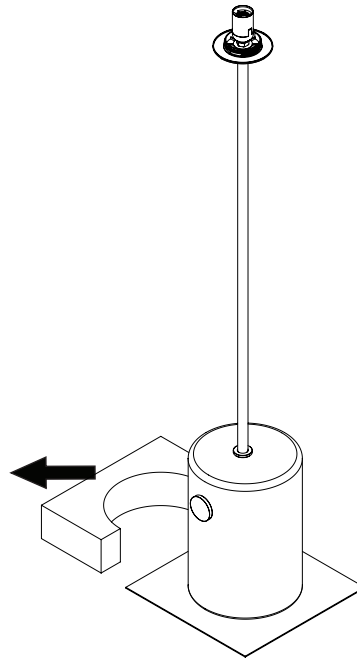
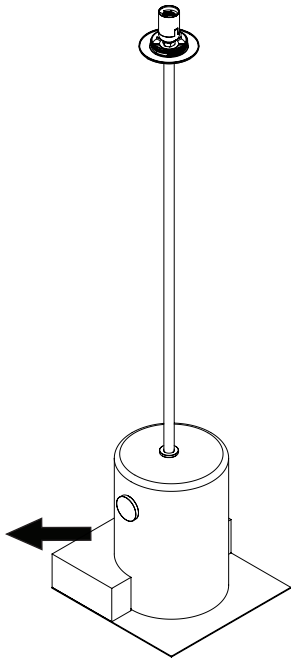
4



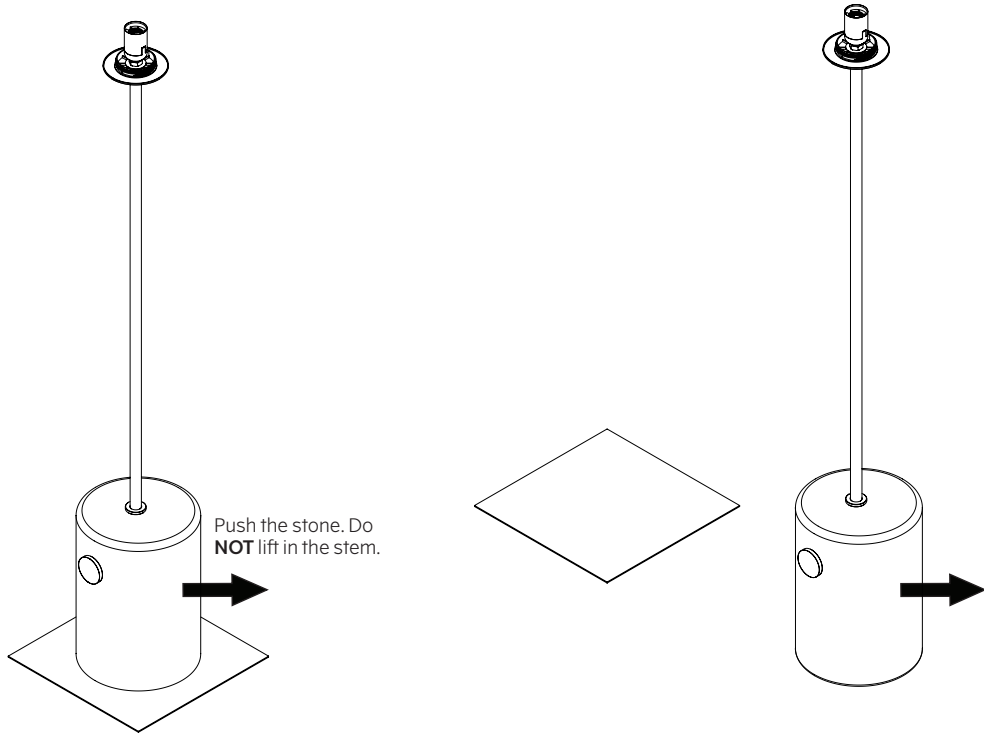
5



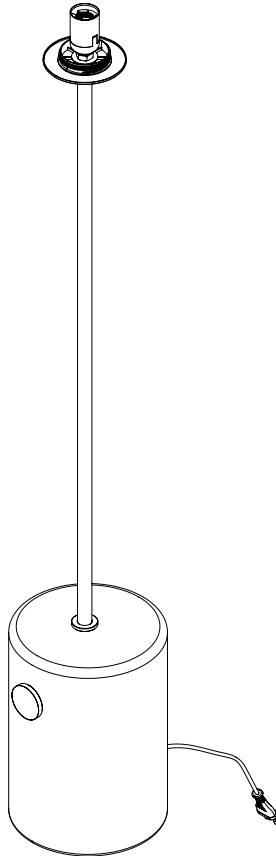
6



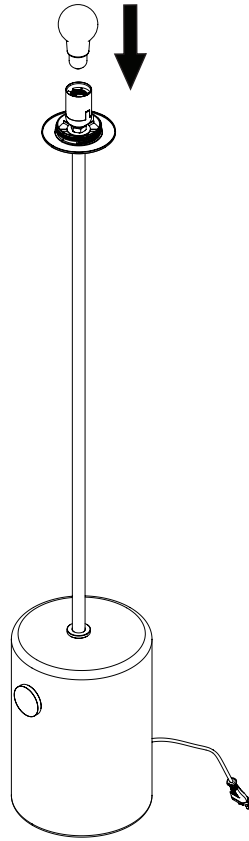
7



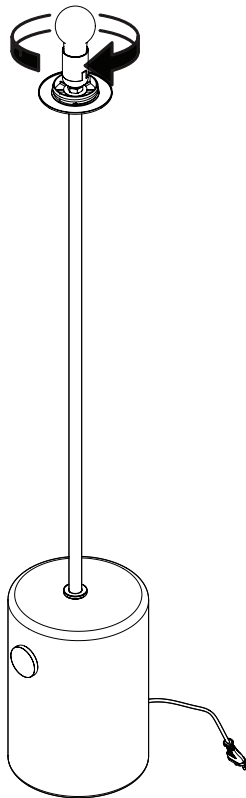
8



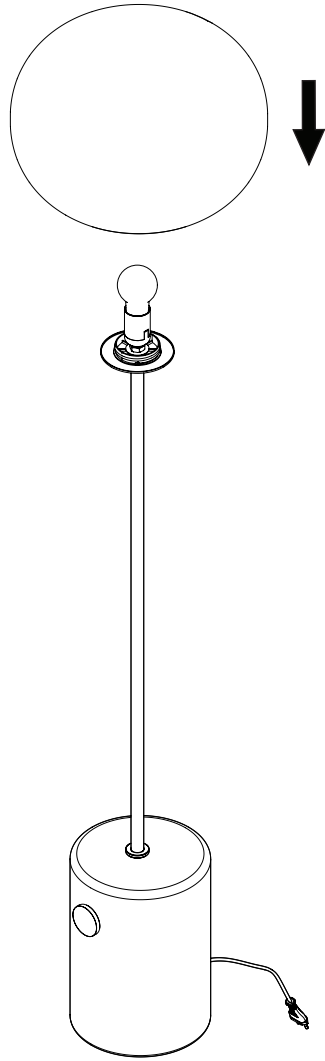
9



10



11



12

