



**USB2.0 Over CAT6/7  
Extender Up To 100M**

**USER MANUAL**

**USB-EXB330-K**

*Follow us on Youtube  
and Facebook*



[www.orei.com](http://www.orei.com)

# Table of Contents

Introduction	04
Features	05
Package Contents	05
Specifications	06
Operation Controls and Functions	07
Application Example	09
FAQs & Troubleshooting	10

## **Thank you for purchasing this product**

Thank you for purchasing this product. For optimum performance and safety, please read these instructions carefully before connecting, operating or adjusting this product. Please keep this manual for future reference.

## **Surge protection device recommended**

This product contains sensitive electrical components that may be damaged by electrical spikes, surges, electric shock, lightning strikes, etc. Use of surge protection systems is highly recommended in order to protect and extend the service life of your equipment.

Please Activate your warranty by registering our product through the link below - [www.orei.com/register](http://www.orei.com/register)

## **Technical Support**

### ***Need Help?***

Our experienced Technical Support Team is here for you to answer your questions, give technical advice or help troubleshoot your project to get you installed on time and on budget. Call, email or chat with us now.

### **OREI Live Technical Support Hours**

US team (US/Canada/Mexico): Monday-Friday, 9 a.m. - 6 p.m. Central Time

**Support Email** - [info@orei.com](mailto:info@orei.com) | **Support Number** - 877-290-5530

Or

### **Chat Live on [www.orei.com](http://www.orei.com)**

Send us an instant message now. Our Technical Support Team will respond momentarily. Available during live support hours.

# Introduction

The USB-EXB330-K Extender can take a USB signal and extend it up to 330 feet (~100M). The device features 2 USB2.0 extensions to connect devices such as USB Drives, Printers, etc. to control them remotely. Features Power Over Cable technology. This means that only one power adapter is required to power the whole setup. Simple plug-and-play setup. No driver installation is required. Useful in a wide range of commercial and professional setups.



# Features & Package Contents

1. Features USB 2.0 Protocol
2. Transmission rate up to 200Mbps
3. Extension up to 100m/328ft over a CAT 6/7 cable
4. 2 USB 2.0 Outputs to connect 2 devices (e.g.: Printer, USB Drive, etc.)
5. Power Over Cable feature requires power adapter at one end only.
6. Plug and Play installation. No drivers required
7. Compact & robust design

## Package Contents

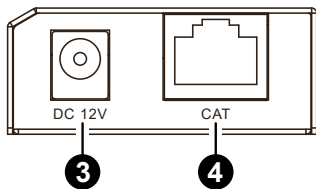
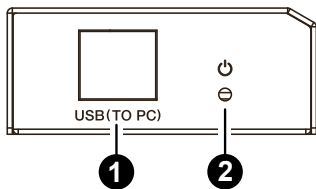
1.	USB-EXB330-K Transmitter	1 pcs
2.	USB-EXB330-K Receiver	1 pcs
3.	USB cable (USB-B male head to USB-A male head, 1 meter )	1 pcs
4.	12V/1A Locking Power Adapter	1 pcs
5.	User Manual	1 pcs

# Specifications

<b>Technical</b>	
USB Protocol	USB 2.0
Transmission Rate	Up to 200Mbps
Transmission Distance	100M (328ft)
ESD Protection	IEC 61000-4-2: ±8kV (Air-gap discharge) , ±4kV (Contact discharge)
<b>Connections</b>	
Transmitter	Input port: 1 × USB [USB-B, female] Output port: 1 × CAT [RJ45, female]
Receiver	Input port: 1 × CAT [RJ45, female] Output port: 2 × USB [USB-A, female]
<b>Mechanical</b>	
Housing	Metal Enclosure
Color	Black
Dimensions	Transmitter / Receiver: 82mm [L] × 49mm [W] × 20mm [H]
Weight	Transmitter / Receiver: 100g / 3.5oz
Power Supply	Input: AC 100-240V 50/60Hz Output: DC 12V/1A (US/EU standards, CE/FCC/UL certified)
Power Consumption	Transmitter: 1.3W, Receiver: 2.3W
Operating Temperature	0°C ~ 40°C / 32°F ~ 104°F
Storage Temperature	-20°C ~ 60°C / -4°F ~ 140°F
Relative Humidity	20-90% RH (non-condensing)

# Operation Controls and Functions

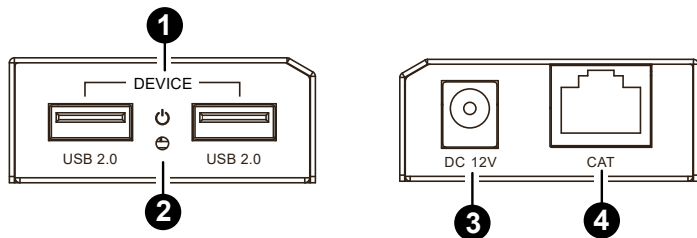
## Transmitter Panel



No.	Name	Function Description
1.	USB(TO PC)	USB port: connect to the USB port of a PC through the included cable.
2.	POWER LED	The LED will light up Green when the transmitter is powered on.
3.	DC 12V	Plug DC 12V/1A power supply into the unit and connect the adapter to an AC outlet.
4.	CAT port	Plug in the CAT5e/6/7 cable.

# Operation Controls and Functions

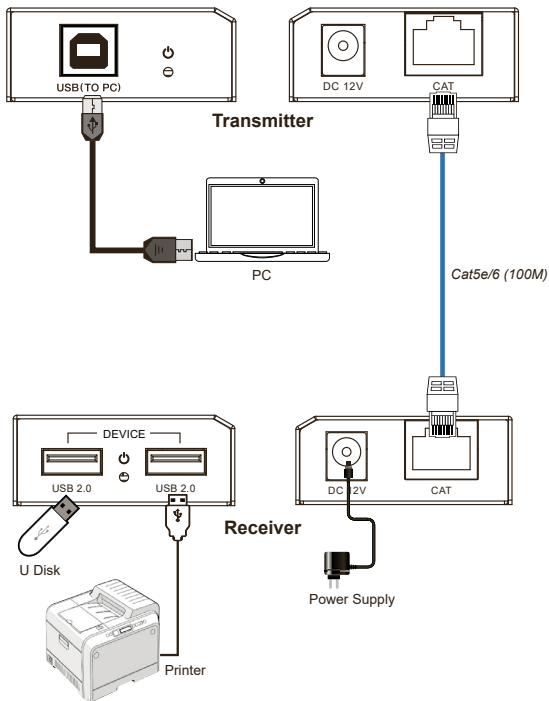
## Receiver Panel



No.	Name	Function Description
1.	USB 2.0 port	Connect to a device with USB port such as printer or USB drive, etc.
2.	POWER LED	The LED will light up Green when the receiver is powered on.
3.	DC 12V	Plug DC 12V/1A power supply into the unit and connect the adapter to an AC outlet.
4.	CAT port	Plug in the CAT5e/6/7 cable.



# Application Example



# FAQs & Troubleshooting

## 1. What is the maximum length of cable I can use with this device?

The maximum length of cable you can use with this model is 330 feet.

## 2. Does this only work with CAT6/7? What if I have a CAT 5e cable?

Our devices work with a CAT 5e cable as well. But, we recommend using CAT6.

## 3. Can I connect a USB hard disk to access it's data remotely?

Yes, you can connect all kinds of USB devices such as Pen drives, hard disks, etc.

## 4. Can I connect this to my home or office network?

Unfortunately, this model will not work over a network switch. It requires a direct connection between the Transmitter and Receiver.

## 5. I am unable to access my USB Drive over the device

Check if the CAT cable is connected properly  
Check the status of the Green and Yellow indicators on both ends  
Chekc the status of the Power LEDs on the device

### ***Still have some questions?***

Please feel free to contact us at: [info@orei.com](mailto:info@orei.com). OR Fill out the form on the 'Contact Us' page on the website.

Our team will be more than happy to help you.



**USB2.0 Over CAT6/7  
Extender Up To 100M**

**USB-EXB330-K**

[www.orei.com](http://www.orei.com)

© 2023