

备注

H22067 (ORE01) 说明书 : 0106020147630

材质: 100克书纸

尺寸: 111x146mm

装订方式: 骑马钉



4K@60Hz 4X1 HDMI KVM Switch

www.orei.com

© 2023



4K@60Hz 4X1 HDMI KVM Switch

USER MANUAL

Follow us on Youtube
and Facebook



www.orei.com

Table of Contents

Introduction	04
Features	05
Package Contents	05
Function setting	06
Specifications	07
Operation Controls and Functions	09
Connection Diagram	11

Thank you for purchasing this product

For optimum performance and safety, please read these instructions care-fully before connecting, operating or adjusting this product. Please keep this manual for future reference.

Surge protection device recommended

This product contains sensitive components that may be damaged by electrical spikes, surges, electric shock, lightning strikes, etc. Use of surge protection systems is highly recommended in order to protect and extend the life of your equipment.

Registration page

Please Activate your warranty by registering your product through the link below - www.orei.com/register

Technical Support

Need Help?

Our experienced Technical Support Team is here for you to answer your questions, give technical advice or help troubleshoot your project to get you installed on time and on budget. Call, email or chat with us now.

OREI Live Technical Support Hours

US team (US/Canada/Mexico): Monday-Friday, 9 a.m. - 6 p.m. Central Time

Support Email - info@orei.com | **Support Number** - 877-290-5530

Or

Chat Live on www.orei.com

Send us an instant message now. Our Technical Support Team will respond momentarily. Available during live support hours.

Introduction

This is a 4K@60Hz 4X1 HDMI KVM Switch which supports 4 HDMI signal inputs and 1 HDMI signal output. It supports one set of keyboard and mouse to control 4 computers and share 1 monitor, conveniently switch among games, movies, TV shows and other contents. Users can easily control the KVM switch via RS-232 port, remote control and the panel button. This product can be widely used in security monitoring, education and training, exhibitions and broadcasting, command centers, etc.



Features

1. supports 4 HDMI input signals and 1 HDMI output signal
2. supports up to 4096x2160@60Hz resolution
3. supports KVM
4. supports multiple switching modes: IR remote control, front pannel button, RS-232
5. supports USB 2.0
6. supports EDID passthrough and auto downscaling
7. supports HDR10
8. Plug and play, easy installation

Package Contents

- 1x UKM-401 KVM Switch
- 1 x Power Adapter 5V/1A
- 1 x User Manual
- 1 x Remote Control
- 1 x Mounting Ear
- 6 x Screw
- 2 x Grounding Screw
- 1 x Terminal block
- 6 x USB 2.0 Type A to Type B Cable

Function setting

RS-232 control

Baud rate: 9600

Data bits: 8

stop character: 1

Parity: none

/	HDMI1 input	HDMI2 input	HDMI3 input	HDMI4 input
PS1XR\n	PS11R	PS12R	PS13R	PS14R
Reset\n	Restart the device			
Recover\n	Restore factory setting			
Status\n	Query for status information If no HDMI port is inserted, NA is displayed. PS12R is displayed if HDMI 2 was the last to be inserted. Status: Baud 9600 PS12R OK			
Baud XX\n	Set baud rate value: 9600 (default), 19200			

Specifications

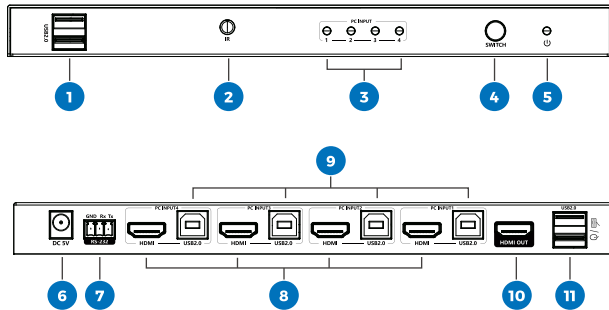
Specifications

Items	Descriptions
HDMI version	HDMI 2.0 (HDR, YUV4:4:4)
	Compatible with HDCP 2.2, HDCP 1.4
HDMI interface	4 HDMI inputs, 1 HDMI output
Transmission rate	18Gbps
Bandwidth	600MHz
Resolution	4096x2160@24/25/30/50/60Hz, 3840x2160@24/25/30/50/60Hz, 1080i@50/60Hz, 1080p@50/60Hz, 720p@50/60Hz, 576i@50Hz, 576p@50Hz, 480i@60Hz, 480p@60Hz, 3440x1600, 3440x1440, 2560x1600, 2560x1440, 2048x1080, 1920x1440, 2560x1080
Audio format	LPCM7.1/DTS-HD/DTS-Audio/Dolby Digital plus/Dolby TrueHD 7.1/Dolby Digital/Dolby Atmos
RS-232	3 Pin(GND/Rx/Tx), Baud rate 9600
Voltage	DC 5V/1A
Power consumption	< 3W
Working temperature	-20 C ~ -60 C
Storage temperature	-30 C ~ -70 C
Humidity	0-90%RH
Housing	Iron
Color	Black

Weight	510g
Dimension	250.0(L) x 80.0(W) x 21.0(H) mm
Protection	ESD protection 1a Contact discharge level 2 (±4KV) 1b Air discharge level 3 (±8KV) Implementation of the standard: IEC61000-4-2
	Lightning protection, Surge protection

Operation controls and functions

Operation controls and functions



- 1 **USB 2.0 (Type-A)** : Connect with USB devices
- 2 **IR receiving window** : Receive IR signal
- 3 **HDMI input indicator** : Corresponding to HDMI input 1, 2, 3, 4 respectively
- 4 **Switch button** : Press the button to switch the input of the signal source
- 5 **Power indicator** : Press the button to switch the input of the signal source

- 6 **DC 5V** : Connect with DC5V/1A power adapter
- 7 **RS-232** : Used for RS-232 command control
- 8 **HDMI input** : Connect with HDMI source device
- 9 **USB 2.0 (Type-B)** : Connect to the computer's USB ports with USB cables
- 10 **HDMI output** : Connect with HDMI display device
- 11 **USB 2.0 (Type-A)** : Connect with keyboard and mouse

Connection Diagram

Connection Diagram

Description

Connection Diagrams

