

H22026说明书 (ORE01) : 0106020147623

备注

材质: 100克书纸

尺寸: 111x146mm

装订方式: 骑马钉



**4K@60Hz 18Gbps 4:4:4 HDR
HDMI Wall Plate Extender
Over 70M Cat6**

www.orei.com

© 2022



**4K@60Hz 18Gbps 4:4:4 HDR
HDMI Wall Plate Extender
Over 70M Cat6**

Follow us on Youtube
and Facebook



USER MANUAL

www.orei.com

Table of Contents

| | |
|----------------------------------|----|
| Introduction | 05 |
| Features | 06 |
| Package Contents | 06 |
| Specifications | 07 |
| Operation Controls and Functions | 09 |
| Connection Diagram | 11 |

Thank you for purchasing this product

For optimum performance and safety, please read these instructions care-fully before connecting, operating or adjusting this product. Please keep this manual for future reference.

Surge protection device recommended

This product contains sensitive UHD-IPC230-WPE components that may be damaged by electrical spikes, surges, electric shock, lightning strikes, etc. Use of surge protection systems is highly recommended in order to protect and extend the life of your equipment.

Registration page

Caution

Please Activate your warranty by registering our product through the link below - www.orei.com/register

Technical Support

Need Help?

Our experienced Technical Support Team is here for you to answer your questions, give technical advice or help troubleshoot your project to get you installed on time and on budget. Call, email or chat with us now.

OREI Live Technical Support Hours

US team (US/Canada/Mexico): Monday-Friday, 9 a.m. - 6 p.m. Central Time

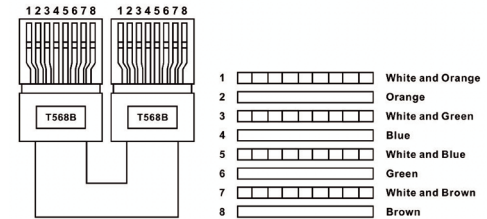
Support Email - info@orei.com | **Support Number** - 877-290-5530

Or

Chat Live on www.orei.com

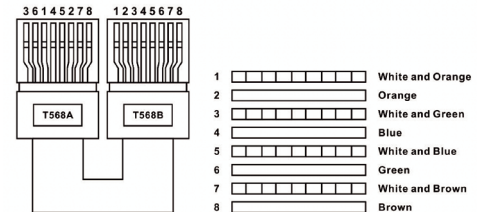
Send us an instant message now. Our Technical Support Team will respond momentarily. Available during live support hours.

The extender need to follow direct interconnection method CAT cable.



Direct interconnection method

The extender will go into protection mode automatically and no video out when using cross interconnection method CAT cable.



Cross interconnection method

Introduction

UHD-IPC230-WPE is a 4K@60Hz 18Gbps 4:4:4 HDR HDMI Wall Plate Extender Over 70M Cat6, with zero-latency and visually lossless compression transmission. It supports PoC, IR control, 3.5mm audio output, etc. This kit is a reliable, ultra-high-definition video transmission solution, which is widely used in security monitoring, home theater, broadcasting and other fields.



Features

1. Zero-latency transmission.
2. The transmitter is a wall socket design and can be embedded in the wall.
3. Extend 4K@60Hz HDMI signal up to 70m/230ft over Cat6/6A/7 cable.
4. Support HDR10.
5. Support EDID passthrough and auto downscaling.
6. Support IR control (20-60KHz) of equipment at TX end from RX end.
7. Support Power-over-Cable (PoC), the receiver can be powered by the transmitter.
8. The receiver supports 3.5mm stereo output.
9. Lightning protection, surge protection, ESD protection.

Package Contents

- 1 x Transmitter
- 1 x Receiver
- 1 x User Manual
- 1 x IR receiver cable
- 1 x IR blaster cable
- 2 x Mounting ear
- 6 x Screw
- 1 x US Standard 4*2 (inch) concealed box
- 2 x Screw TM3#*14

Specifications

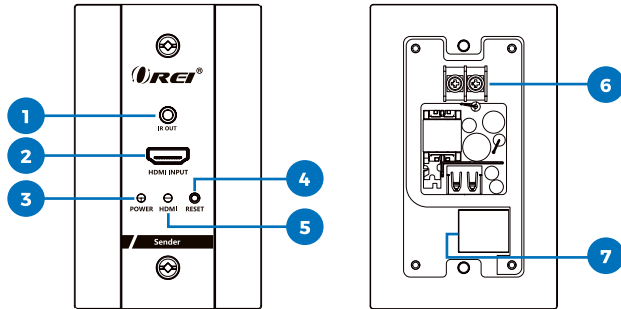
| Items | Transmitter | Receiver |
|---------------------------------------|--|--|
| Video | | |
| Input interface | 1x HDMI Type A Female | 1x RJ45 Female |
| Output interface | 1x RJ45 Female | 1x HDMI Type A Female |
| HDMI cable | ≤5m | ≤5m |
| Maximum transfer rate | 18Gbps | |
| Maximum transmission bandwidth | 600MHz | |
| EDID passthrough | Support | |
| Compatibility | HDMI 2.0 (Deep color, 4K, HDR, YUV4:4:4) | |
| | HDCP 2.2, HDCP1.4 | |
| Resolutions | 480i@60Hz、480p@60Hz、576i@50Hz、576p@50Hz、720p@50/60Hz、1080i@50/60Hz、1080p@50/60Hz、3840x2160@24/25/30/50/60Hz、4096x2160@24/25Hz、1280x960、1280x800、1280x768、1680x1050、1360x768、1366x768、1600x900、1024x768、800x600、1920x1200 | |
| Transmission distance | CAT6/6A/7≤70m | |
| Audio | | |
| Input interface | 1x HDMI Type A Female | N/A |
| Output interface | / | 1x HDMI Type A Female 1x 3.5mm L/R Female |
| Audio formats | LPCM/DTS-HD/DTS-Audio/Dolby Digital 5.1CH/Dolby Atmos | |
| Command Signal | | |

Specifications

| | | |
|------------------------------|---|-----------------------|
| IR interface | 1x 3.5mm IR OUT Female | 1x 3.5mm IR IN Female |
| Receiving range | ≤5m | |
| Infrared frequency | 20KHz-60KHz | |
| Power | | |
| Power Supply | AC110-240V | PoC (Powerd by TX) |
| Power Consumption | Tx + Rx < 7W | |
| Operating Environment | | |
| Working temperature | 0℃ -60℃ | |
| Storage temperature | -30℃ -70℃ | |
| Humidity | 0-90%RH (No condensation) | |
| Physical Properties | | |
| Housing | Aluminum alloy + Iron | |
| Weight | 270g | 140g |
| Color | Black | |
| Dimensions | TX: 70.0(L)*14.0(W)*51.0(H) mm RX: 85.5(L)*75.5(W)*16.5(H)mm | |
| Protection | ESD protection 1a Contact discharge level 2 (±4KV) 1b Air discharge level 3 (±8KV) Implementation of the standard: IEC61000-4-2 | |
| | Lightning protection, Surge protection | |
| Certifications | FCC/CE/RoHS | |

Operation controls and functions

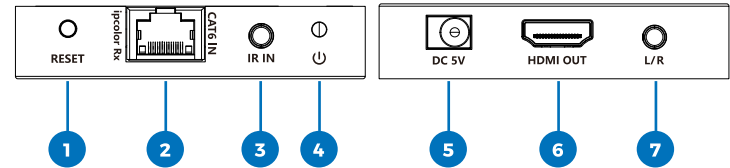
Transmitter



- 1 IR Out :** Connect with IR blaster extension cable
- 2 HDMI Input :** Connect with HDMI source device with HDMI cable
- 3 Power Indicator :** When there is power, the indicator will light solid blue
- 4 Reset Button :** Press to restart the device
- 5 HDMI Indicator :** When there is no HDMI signal, the indicator will flash, when there is an HDMI signal, the indicator will light solid blue
- 6 Power :** Connect AC 110-240V power supply
- 7 RJ45 Output:** Connect with CAT6/6A/7 network cable

Operation controls and functions

Receiver



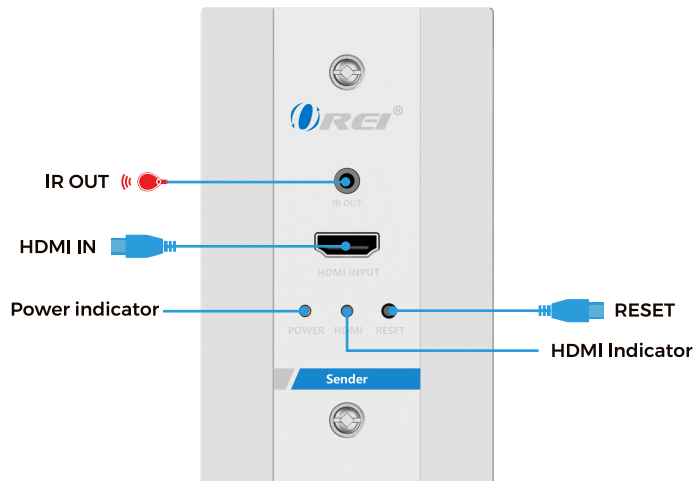
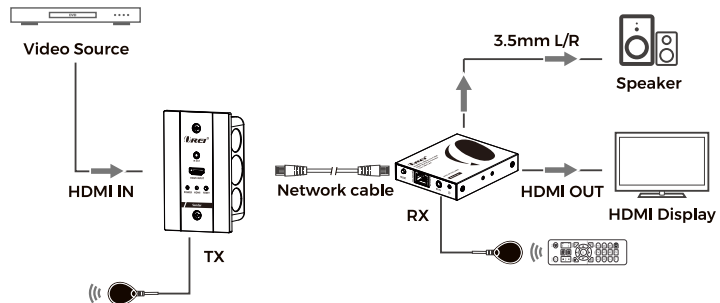
- 1 Reset button :** Press to restart the device
- 2 RJ45 input :** Connect with CAT6/6A/7 network cable
- 3 IR in :** Connect with IR receiver extension cable
- 4 Power indicator :** When there is power and no HDMI signal, the indicator will flash, when there is HDMI signal, the indicator will light solid
- 5 DC5V :** Connect with DC 5V/1A power adapter
- 6 HDMI output :** Connect with HDMI display device with HDMI cable
- 7 3.5mm stereo output :** Connect with earphone or speaker

Connection Diagram

Connection Diagram

Description

Connection Diagrams



Connection Diagram

