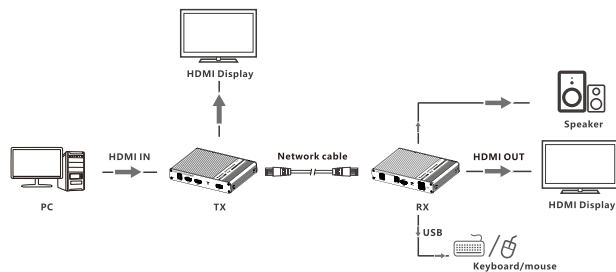


• Installation Procedures

1. Connection

one to one:



Follow the standard of IEEE-568B, It is recommended to select a network cable with less loss and crosstalk.

- 1-Orange/white 2-Orange 3-Green/white
- 4-Blue 5-Blue/white 6-Green
- 7-Brown/white 8-Brown



2. Connection instruction

- 1) Connect the source device to the HDMI in port of the transmitter with an HDMI cable, and connect the HDMI out port of the receiver to the display device with another HDMI cable.
- 2) Connect the CAT out port of the transmitter and the CAT in port of the receiver via a network cable (CAT6/CAT6A/CAT7).
- 3) If using HDMI loop out, connect the display device to the HDMI OUT port of the transmitter.
- 4) Plug the power supply into the device to get started.

[NOTE]: It is recommended to use a length range within 2~70m network cable. If the cable is too short, there may be no display output because the signal is too strong. If the cable is too long, the output may be with poor quality.

• FAQ

- Q: There is no output on screen when all connections are correct?
- A: 1) Please make sure the HDMI cables supports 4K×2K if the output signal from the source device is 4K×2K resolution.
- 2) Please check and make sure the network cable insert to the RJ45 port well.
- 3) Restart the transmitter or receiver by pressing the reset button.

Q: Black screen happened on the display/monitor?

- A: 1) Check if the length of the cable is within the specified range.
- 2) Reset the transmitter to re-built the connection.

Q: The display shows unusual color or no sound?

- A: 1) Reset the transmitter or receiver to re-built the connection.
- 2) Check if the HDMI cables are connected well.
- 3) Reconnect the network cable.

• Specification

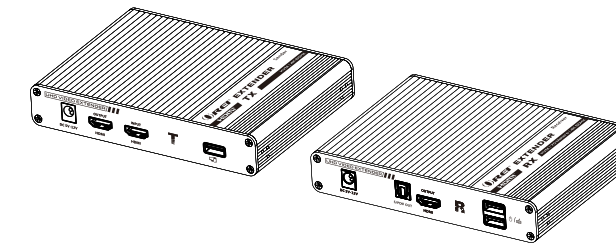
Items	Specification	
Power Supply	Voltage/Current	DC5V-12V
	Power consumption	TX < 4W RX < 4W
HDMI compliance	HDMI compliance	HDMI 2.0
	HDCP compliance	HDCP 2.2
HDMI Performance And Interface	HDMI resolution	480i@60Hz, 480p@60Hz, 576i@50Hz, 576p@50Hz, 720p@50/60Hz, 1080i@50/60Hz, 1080p@50/60Hz, 3840x2160@24/25/30/50/60Hz, 4096x2160@24/25Hz, 1280x960, 1280x800, 1280x768, 1680x1050, 1360x768, 1366x768, 1600x900, 1024x768, 800x600
		Supports audio formats
HDMI Performance And Interface	Input and output TMDS signal	0.7~1.2Vp-p(TMDS)
	Input and output DDC signal	5Vp-p(TTL)
	Input cable length	≤8m(AWG24)
	Output cable length	≤8m(AWG24)
Transmission Distance	CAT6/6A/7	≤70m
Protection Level	Electrostatic protection of the whole machine	1a Contact discharge level 3 1b Air discharge level 3 Implementation of the standard: IEC61000-4-2
	Operating Environment	Working temperature: -20~60°C Storage temperature: -30~70°C Humidity (no condensation): 0~90%RH
Body Properties	Dimension	150.0(L) x 107.0(W) x 28.4(H)mm
	Material	Aluminium alloy material + crystal panel
	Treatment process	Grit blast
	Color	Black
	Weight	TX: 260g RX:260g



ipcolor 4K @60Hz 18Gbps 4:4:4 HDR
HDMI Extender with KVM

UHD-IPC230-KVM User Manual

4Kx2K
60Hz



HIGH-DEFINITION MULTIMEDIA INTERFACE

• Important Safety Notice

1. Do not mix up HDMI to RJ45 transmitter and RJ45 to HDMI receiver before installation.
2. Do not hot plug when it is working.
3. Use DC5V-12V power supply only. Make sure specification matched if using 3rd party adapters.
4. Static electricity will cause damage of the device, please do ESD protection when using the device.

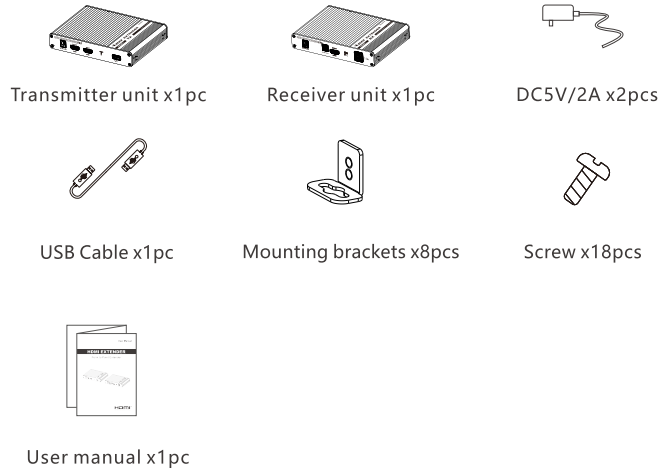
• Introduction

This HDMI Extender includes a transmitter unit and a receiver unit, allows HDMI signal to be transmitted up to 70 meters at 4K resolution using a CAT6/6A/7 network cable. It is perfect for outdoor advertising, video clips, monitor system, home entertainment, and conference, etc.

• Features

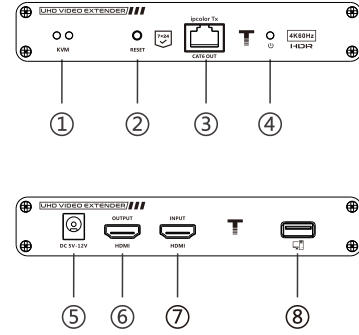
1. Zero latency.
2. 4K@60Hz HDMI signal can be transmitted 70 meters through a CAT6/6A/7 network cable.
3. The receiver can extract the digital audio from the transmitter through the S/PDIF port.
4. Supports audio formats (LPCM/DTS-HD/DTS-Audio/Dolby Digital 5.1CH)
5. Supports HDR(YUV4:4:4), EDID passback.
6. Transmitter support one HDMI loop-out.
7. Support KVM function.
8. Lighting protection, surge protection, ESD protection.

• Package Contents



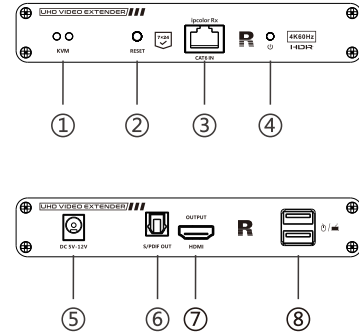
• Interfaces

1. Transmitter (TX)



① KVM Light	Connected to the computer, the indicator light is on;No signal transmission, the indicator light off; This is signal transmission, the indicator light flashes.
② Reset button	Press to restart the device
③ RJ45 signal output	Connect with network cable
④ Power/Signal indicator	When there is power and no HDMI signal, the indicator will flash, when there is HDMI signal, the indicator will light solid blue
⑤ DC5V-12V input	Connect with DC5V-12V power adapter
⑥ HDMI output	Connect with HDMI display device
⑦ HDMI input	Connect with the source device
⑧ USB-A port	Connect with computer

2. Receiver (RX)



① KVM Light	The mouse/keyboard is connected to the USB port, the indicator light is on
② Reset button	Press to restart the device
③ RJ45 signal input	Connect with network cable
④ Power/Signal indicator	When there is power and no HDMI signal, the indicator will flash, when there is HDMI signal, the indicator will light solid blue
⑤ DC5V-12V input	Connect with DC5V-12V power adapter
⑥ S/PDIF out	Output digital audio signal
⑦ HDMI output	Connect with HDMI display device
⑧ USB-A port	Connect with keyboard and mouse

Disclaimer

OREI is a registered trademark of OREI, LLC The pictures in the user manual are for reference only and there may be a slight difference in the appearance of the actual product. We reserve the right to make changes without further notice to a product or system described herein to improve its reliability and functionality.