



**ipcolor 4K @60Hz 18Gbps 4:4:4 HDR
HDMI Extender Over 70Meter Cat6
with Cascading and Downscaling**

www.orei.com

© 2021



**ipcolor 4K @60Hz 18Gbps 4:4:4 HDR
HDMI Extender Over 70Meter Cat6
with Cascading and Downscaling**

Follow us on Youtube
and Facebook



USER MANUAL

www.orei.com

Table of Contents

Introduction	05
Features	06
Package Contents	06
Specifications	07
Operation Controls and Functions	09
Connection Diagram	11

Thank you for purchasing this product

For optimum performance and safety, please read these instructions carefully before connecting, operating or adjusting this product. Please keep this manual for future reference.

Surge protection device recommended

This product contains sensitive electrical components that may be damaged by electrical spikes, surges, electric shock, lightning strikes, etc. Use of surge protection systems is highly recommended in order to protect and extend the life of your equipment.

Registration page

Caution

Please Activate your warranty by registering our product through the link below - www.orei.com/register

Technical Support

Need Help?

Our experienced Technical Support Team is here for you to answer your questions, give technical advice or help troubleshoot your project to get you installed on time and on budget. Call, email or chat with us now.

OREI Live Technical Support Hours

US team (US/Canada/Mexico): Monday-Friday, 9 a.m. - 6 p.m. Central Time

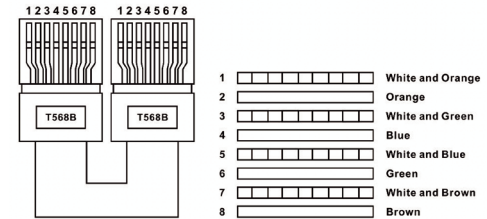
Support Email - info@orei.com | **Support Number** - 877-290-5530

Or

Chat Live on www.orei.com

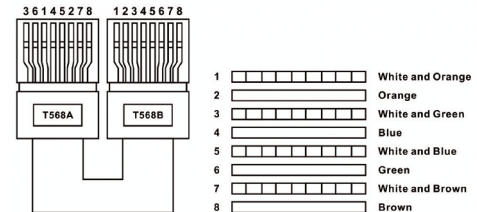
Send us an instant message now. Our Technical Support Team will respond momentarily. Available during live support hours.

The extender need to follow direct interconnection method CAT cable.



Direct interconnection method

The extender will go into protection mode automatically and no video out when using cross interconnection method CAT cable.



Cross interconnection method

Introduction

The HDMI Extender with Loopout can extend 4K@60Hz 18Gbps HDR 4:4:4 HDMI signal over 230 feet/70 meters to an HDMI compatible display via single 6 cable. It supports EDID passthrough, auto downscaling and cascading up to 10 receivers (distance is 165feet/50meters for cascaded receivers). It also supports bi-directional Infrared control signal which allows you to easily control your DVD player at TV side or control your TV at the DVD player side when using this extender. Besides, the receiver can extract the digital audio from the transmitter through the S/PDIF port.



Features

1. Zero latency
2. 4K@60Hz HDMI signal can be transmitted 70 meters through a CAT6/6A/7 network cable(distance is 165feet/50meters for cascaded receivers)
3. Supports up to 10 receivers in cascade, auto adapt to display resolution
4. The receiver can extract the digital audio from the transmitter through the S/PDIF port
5. Supports audio formats (Dolby TrueHD 7.1CH/Dolby Digital 5.1CH)
6. Supports HDR(YUV4:4:4), EDID passback
7. Transmitter support one HDMI loop-out
8. Support bi-directional IR passback function (20~60KHz), cascade when 10 receiver available
9. Anti-lightning, anti-surge, anti-static protection

Package Contents

- 1 x Transmitter
- 1 x Receiver
- 2 x DC5V/2A
- 1 x User manual
- 1 x IR receiver extension cable
- 1 x IR blaster extension cable
- 8 x Mounting brackets
- 18 x Screw

Specifications

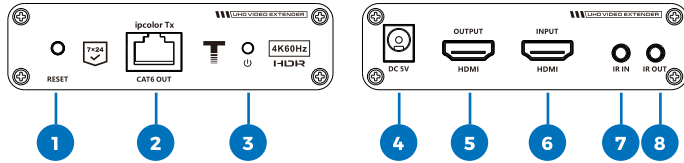
Specifications

Items		Specification
Power Supply	Voltage/Current	DC5V/2A
	Power consumption	TX < 4W RX < 4W
HDMI Performance And Interface	HDMI compliance	HDMI 2.0
	HDCP compliance	HDCP 2.2
	HDMI resolution	480i@60Hz, 480p@60Hz, 576i@50Hz, 576p@50Hz, 720p@50/60Hz, 1080i@50/60Hz, 1080p@50/60Hz, 3840x2160@24/25/30/50/60Hz, 4096x2160@24/25Hz, 1280x960, 1280x800, 1280x768, 1680x1050, 1360x768, 1366x768, 1600x900, 1024x768, 800x600
	Supports audio formats	LPCM/DTS-HD/DTS-Audio/Dolby TrueHD 7.1CH/Dolby Digital 5.1CH
	Input and output TMDS signal	0.7-1.2Vp-p(TMDS)
	Input and output DDC signal	5Vp-p(TTL)
	Input cable length	≤8m(AWG24)
	Output cable length	≤8m(AWG24)
	Transmission Distance	CAT6/6A/7

Protection Level	Electrostatic protection of the whole machine	1a Contact discharge level 3 1b Air discharge level 3 Implementation of the standard: IEC61000-4-2
Operating Environment	Working temperature	-20-60 °C
	Storage temperature	-30-70 °C
	Humidity(no condensation)	0~90%RH
Body Properties	Dimension	106.0(L) x 99.0(W) x 26.2(H)mm
	Material	Aluminium alloy material +crystal panel
	Treatment process	Grit blast
	Color	Black
	Weight	TX:210gRX:210g

Operation controls and functions

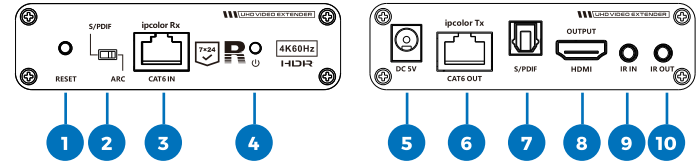
Transmitter



- 1 Reset button:** Press to restart the device
- 2 RJ45 signal output:** Connect with network cable
- 3 Power/Signal indicator:** When there is power and no HDMI signal, the indicator will flash, when there is HDMI signal, the indicator will light solid blue
- 4 DC5V input:** Connect with DC5V/2A power adapter
- 5 HDMI output:** Connect with HDMI display device
- 6 HDMI input:** Connect with the source device
- 7 IR in:** Connect with IR receiver extension cable, please make sure the remote control used is within the effective range
- 8 IR out:** Connect with IR blaster extension cable, please get closer to the source device while using

Operation controls and functions

Receiver

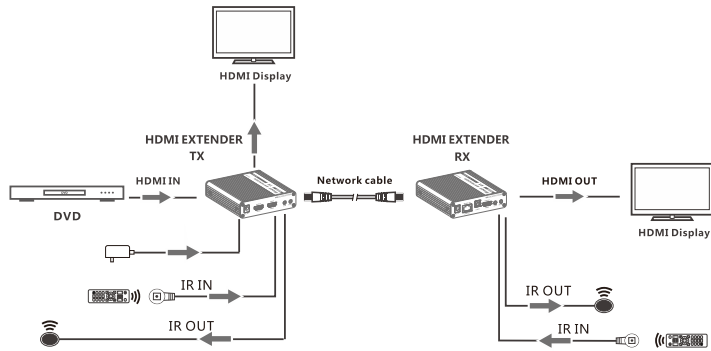


- 1 Reset button:** Press to restart the device
- 2 Audio switch:** Choose to decode audio from HDMI or ARC output from fiber optic interface
- 3 RJ45 signal input:** Connect with network cable
- 4 Power/Signal indicator:** When there is power and no HDMI signal, the indicator will flash, when there is HDMI signal, the indicator will light solid blue
- 5 DC5V input:** Connect with DC5V/2A power adapter
- 6 RJ45 signal output:** Connect with network cable
- 7 S/PDIF out:** Output digital audio signal
- 8 HDMI output:** Connect with HDMI display device
- 9 IR in:** Connect with IR receiver extension cable, please make sure the remote control used is within the effective range
- 10 IR out:** Connect with IR blaster extension cable, please get closer to the source device while using

Connection Diagram

Description

one to one:

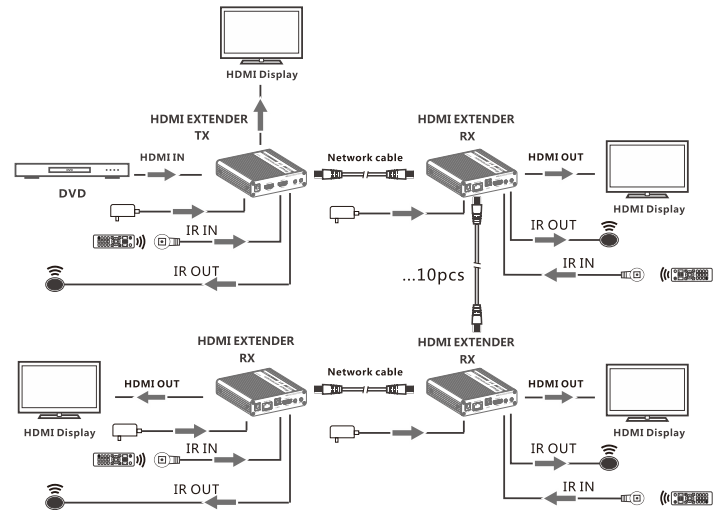


Note: To ensure the quality of signal transmission, please use network cable within 50 meters when cascaded.

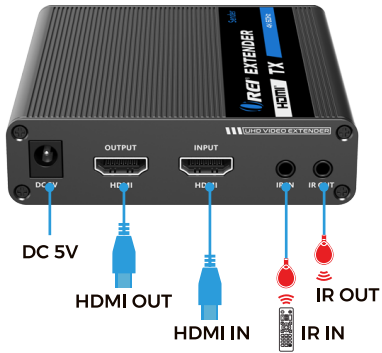
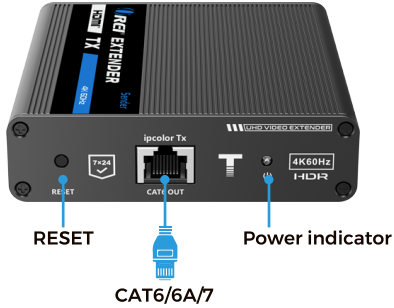
Connection Diagram

Description

one to many:



Connection Diagram



Connection Diagram

