



**ipcolor 4K @60Hz 18Gbps  
4:4:4 HDR HDMI Extender  
Over 50Meter Cat6**

[www.orei.com](http://www.orei.com)

© 2021



**ipcolor 4K @60Hz 18Gbps  
4:4:4 HDR HDMI Extender  
Over 50Meter Cat6**

**USER MANUAL**

Follow us on Youtube  
and Facebook



[www.orei.com](http://www.orei.com)

# Table of Contents

Introduction	05
Features	06
Package Contents	06
Specifications	07
Operation Controls and Functions	09
Connection Diagram	11

## Thank you for purchasing this product

For optimum performance and safety, please read these instructions carefully before connecting, operating or adjusting this product. Please keep this manual for future reference.

## Surge protection device recommended

This product contains sensitive electrical components that may be damaged by electrical spikes, surges, electric shock, lightning strikes, etc. Use of surge protection systems is highly recommended in order to protect and extend the life of your equipment.

# Registration page

# Caution

Please Activate your warranty by registering our product through the link below - [www.orei.com/register](http://www.orei.com/register)

## Technical Support

### Need Help?

Our experienced Technical Support Team is here for you to answer your questions, give technical advice or help troubleshoot your project to get you installed on time and on budget. Call, email or chat with us now.

## OREI Live Technical Support Hours

US team (US/Canada/Mexico): Monday-Friday, 9 a.m. - 6 p.m. Central Time

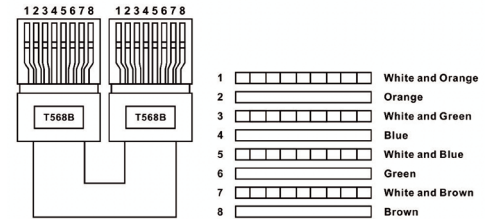
**Support Email** - [info@orei.com](mailto:info@orei.com) | **Support Number** - 877-290-5530

Or

## Chat Live on [www.orei.com](http://www.orei.com)

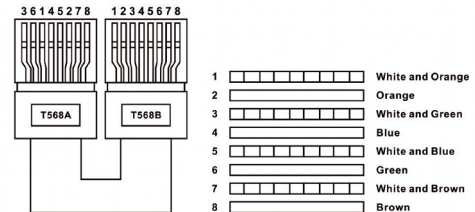
Send us an instant message now. Our Technical Support Team will respond momentarily. Available during live support hours.

The extender need to follow direct interconnection method CAT cable.



## Direct interconnection method

The extender will go into protection mode automatically and no video out when using cross interconnection method CAT cable.



## Cross interconnection method

# Introduction

The HDMI Extender with Loopout can extend 4K@60Hz 18Gbps 4:4:4 HDMI signal over 165 feet/50 meters to an HDMI compatible display via single 6 cable(The maximum distance could be 70meter when the Cat6 cable quality is good). It supports EDID passthrough and auto downscaling. It also supports Infrared control signal and allow you to easily control your DVD player at TV side when using this extender. Besides, this extender has dedicate L/R audio output on receiver and allows you to connect a seperate speaker.



# Features

1. Zero-latency transmission
2. Extend 4K@60Hz HDMI signal up to 50m/230ft over Cat6/6A/7 cable (Maximum 70Meter when use high quality Cat6 cable)
3. The receiver supports 3.5mm stereo output
4. Support HDR10
5. Support EDID passthrough and auto downscaling
6. The transmitter supports HDMI loop out
7. Support IR passthrough
8. Lightning protection, surge protection, ESD protection

# Package Contents

- 1 x Transmitter
- 1 x Receiver
- 2 x DC5V/1A
- 1 x User manual
- 1 x IR receiver extension cable
- 1 x IR blaster extension cable
- 4 x Mounting ear
- 10 x Screw

# Specifications

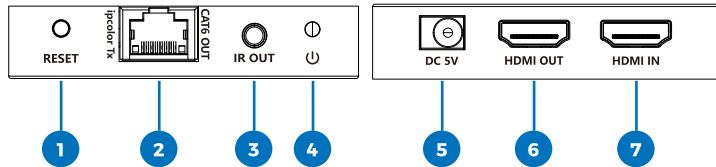
Items	Transmitter	Receiver
<b>Video</b>		
<b>Input interface</b>	1x HDMI Type A Female	1x RJ45 Female
<b>Output interface</b>	1x HDMI Type A Female 1x RJ45 Female	1x HDMI Type A Female
<b>HDMI Length</b>	≤5m	≤5m
<b>Maximum transfer rate</b>	18Gbps	
<b>Maximum transmission bandwidth</b>	600MHz	
<b>EDID passthrough</b>	Yes	
<b>Compatibility</b>	HDMI 2.0 (Deep color, 4K, HDR, YUV4:4:4)	
	HDCP 2.2	
<b>Resolutions</b>	480i@60Hz、480p@60Hz、576i@50Hz、576p@50Hz、720p@50/60Hz、1080i@50/60Hz、1080p@50/60Hz、3840x2160@24/25/30/50/60Hz、4096x2160@24/25Hz、1280x960、1280x800、1280x768、1680x1050、1360x768、1366x768、1600x900、1024x768、800x600	
<b>Transmission distance</b>	CAT6/6A/7≤50m(Maximum 70Meter when use high quality Cat6 cable)	
<b>Audio</b>		
<b>Input interface</b>	1x HDMI Type A Female	N/A
<b>Output interface</b>	1x HDMI Type A Female	1x HDMI Type A Female 1x 3.5mm L/R Female
<b>Audio formats</b>	LPCM/DTS-HD/DTS-Audio/Dolby Digital 5.1CH/Dolby Atmos	
<b>Command Signal</b>		

# Specifications

<b>IR interface</b>	1x 3.5mm IR OUT Female	1x 3.5mm IR IN Female
<b>Receiving range</b>	≤5m	
<b>Infrared frequency</b>	20KHz-60KHz	
<b>Power</b>		
<b>Power Supply</b>	DC5V/1A	DC5V/1A
<b>Power Consumption</b>	<3W	<3W
<b>Operating Environment</b>		
<b>Working temperature</b>	-20℃-60℃	
<b>Storage temperature</b>	-30℃-70℃	
<b>Humidity</b>	0-90%RH (No condensation)	
<b>Physical Properties</b>		
<b>Housing</b>	Metal	
<b>Weight</b>	140g	140g
<b>Color</b>	Black	
<b>Dimensions</b>	85.0(L)*75.5(W)*16.5(H)mm	
<b>Protection</b>	ESD protection 1a Contact discharge level 2 (±4KV) 1b Air discharge level 3 (±8KV) Implementation of the standard: IEC61000-4-2	
	Lightning protection, Surge protection	
<b>Certifications</b>	FCC/CE/RoHS2.0	

# Operation controls and functions

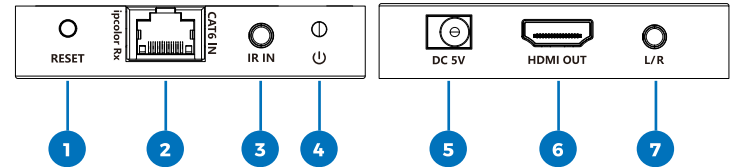
## Transmitter



- 1 Reset button:** Press to restart the device
- 2 RJ45 output:** Connect with CAT6/6A/7 network cable
- 3 IR out:** Connect with IR blaster extension cable
- 4 Power indicator:** When there is power and no HDMI signal, the indicator will flash, when there is HDMI signal, the indicator will light solid
- 5 DC5V:** Connect with DC 5V/1A power adapter
- 6 DC5V:** Connect with local HDMI display device with HDMI cable
- 7 HDMI input:** Connect with HDMI source device with HDMI cable

# Operation controls and functions

## Receiver



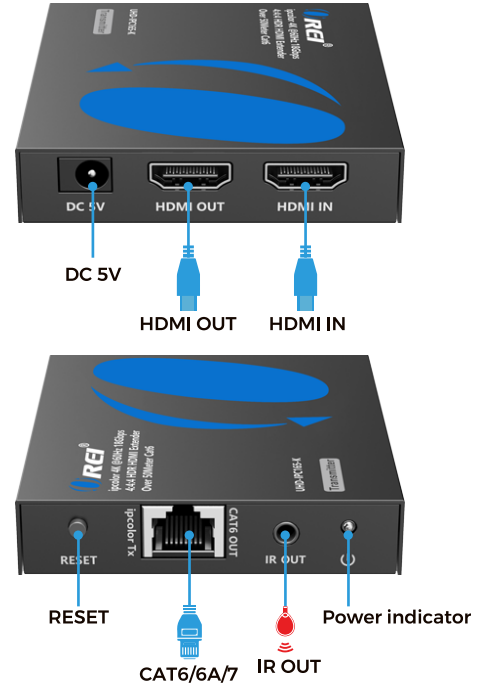
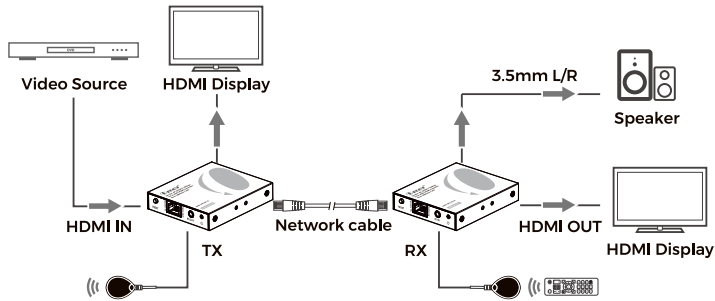
- 1 Reset button:** Press to restart the device
- 2 RJ45 input:** Connect with CAT6/6A/7 network cable
- 3 IR in:** Connect with IR receiver extension cable
- 4 Power indicator:** When there is power and no HDMI signal, the indicator will flash, when there is HDMI signal, the indicator will light solid
- 5 DC5V:** Connect with DC 5V/1A power adapter
- 6 HDMI output:** Connect with HDMI display device with HDMI cable
- 7 3.5mm stereo output:** Connect with earphone or speaker

# Connection Diagram

# Connection Diagram

## Description

### Connection Diagrams



# Connection Diagram

