

4 by 1 HDMI Switcher with ARC

Operation Manual

1. Introduction

This is a high-performance HDMI Switcher with four HDMI inputs & one output HDMI Switcher, the HDMI Switcher provides a S/PDIF link and earphone to output the HDMI source audio. The S/PDIF link supports Audio Return Channel (ARC) from a compatible ARC TV following the HDMI v1.4 specification.

2. Feature

- Supports multiplexed HDMI 4-input and 1-output
- The output port supporting Audio Return Channel (ARC)
- HDMI v1.4 supports: - 4Kx2K@30Hz-Audio Return Channel (ARC)- -3D
- Deep Color support 36/30/24-bit
- Audio EDID select function.
- Supports CEC bypass on HDMI out

- Support digital audio format, DTS-HD/Dolby-True HD/LPCM7.1/AC3/DTS/DSD
- A super wideband IR control system, the IR transport channel can be forward or backward.

3. Package Contents

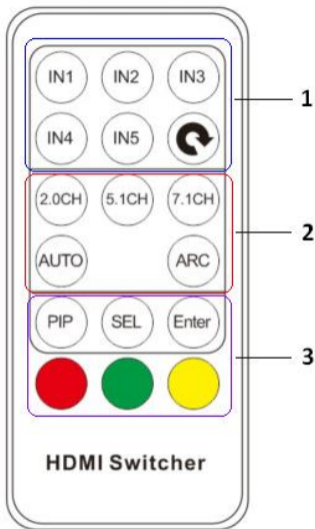
- HDMI Switcher 1pcs
- 5V/1A DC power adaptor 1pcs
- Remote Control 1pcs
- Operation Manual 1pcs
- 38KHz IR Receiver 1pcs

4. Specification

Video Bandwidth 300MHz/10.2 Gbps

Input Ports 4 × HDMI (Female type)

Output Ports	1 × HDMI (Female type)
Output Resolution	480i ~1080p50/60, 4Kx2K@24/30, VGA~UXGA
HDMI Cable In	1080p/12bits (15m)
HDMI Cable Out	1080p/12bits (15m)
ESD Protection	Human Body model: ±8 kV (air-gap discharge) ±4 kV (contact discharge)
Power Supply	5 V/1A DC (US/EU standards, CE/FCC/UL certified)
Dimensions	82 mm (W) × 190 mm (D) × 26 mm (H)
Weight	430 g
Chassis Material	Metal
Silkscreen Color	Black
Operating Temperature	0 °C~40 °C/ 32 °F~104 °F
Storage Temperature	-20 °C ~ 60 °C/-4 °F ~140 °F



Relative Humidity 20~90 % RH (non-condensing)

Power Consumption 1.5 W

5. Remote Control

1. Input source select button, the panel LED will indicate the input source status.

2. Audio EDID select button, the panel LED will indicate the select EDID status.

2.0CH: the switcher will modify the HDMI audio part EDID for support 2.0CH to the source.

5.1CH: the switcher will modify the HDMI audio part EDID for support 5.1CH to the source.

7.1CH: the switcher will modify the HDMI audio part EDID for support 7.1CH to the source.

AUTO: the switcher will copy the sink EDID to the source.

ARC: open/close the ARC function.

3. No function

6. Connect and Operate

Connect the signal sources such as Blu-Ray Player, Play Station 3, audio/video receiver, satellite receivers, and computers equipped with HDMI output interfaces with a short high-speed HDMI cable to the HDMI Switcher inputs.

Connect the HDMI output from the HDMI Switcher to a high-definition display device such as HD-LCD, HD-DLP, and HD projectors with HDMI input interfaces. Use high-speed HDMI cables that are recommended for the distances that are required for each connection.

The Switcher is powered by an external power supply which is included. Connect power first to the source, then to the Switcher, and then to the HD TV or projector.

The input source can be controlled from the display. This is accomplished by using an optional IR Receiver pigtail pointing away from the display(s), which can be connected with the optional HDMI IR Adapter, and inserted between the HDMI cable connector and the display with the toggle switcher at the "IR" position. The IR Transmitter pigtail is then connected to the switcher and pointed to the source(s). The switcher also has the capability of being controlled via Remote control.



1. **ON/OFF:** Power on/off switch.
2. **POWER LED:** This red LED illuminates when the device is connected with the power supply.
3. **IN1,2,3,4 LED:** This red LED illuminates when the output is selected to the corresponding input.
4. **OUT LED:** This red LED illuminates when the HDMI output is plugged into HDTV.
5. **2.0,5.1,7.1 LED:** This red LED illuminates when the audio EDID select to corresponding audio.
6. **ARC LED:** This red LED illuminates when the ARC function opens.
7. **IR:** Remote control receiver, the 3.5mm phone for HDMI switcher IR extend.

8. **INPUT BUTTON:** Press this button to select the input source.
9. **EDID BUTTON:** Press this button to select the 2.0CH,5.1CH,7.1CH, Auto audio EDID mode.
10. **ARC BUTTON:** Press this button to open or close the ARC function.

ARC function: If you need to use ARC, your HDTV must support this function, when you open the ARC function, the Toslink of the Switcher will output the HDTV current display content audio. Otherwise, will output the Switchers input source audio.

11. **RST BUTTON:** Press this button the switcher will reset to factory state (**INPUT1, Auto EDID MODE, ARC FUNCTION CLOSED**)



1. **Input Source:** This slot is where you connect the HDMI or Display Port source output from DVD, PS3, Set-top Box, and Note Book.
2. **OUTPUT:** This slot is where you connect the HDTV or monitor with an HDMI cable for input source display.
3. **Toslink OUT:** This slot is where you connect to the amplifier with an optical fiber cable.
4. **Stereo OUT:** This slot is where you connect to the speaker with a 3.5mm earphone cable. The audio supports LPCM only when the HDMI input is in compressed audio format (Dolby, DTS, DTS-HD, etc), the stereo audio out will mute.

5. **DC 5V:** Plug the 5V DC power supply into the unit and connect the adaptor to the AC wall outlet.

7. **Connection Diagram**

