



HDA-913

**HDMI 18Gbps Audio Extractor
with Audio Downmix**

*Follow us on Youtube
and Facebook*

USER MANUAL



www.orei.com

Table of Contents

Introduction	04
Features	05
Package Contents	05
Specifications	06
Operation Controls and Functions	08
Application Example	10

Thank you for purchasing this product

Thank you for purchasing this product. For optimum performance and safety, please read these instructions carefully before connecting, operating or adjusting this product. Please keep this manual for future reference.

Surge protection device recommended

This product contains sensitive electrical components that may be damaged by electrical spikes, surges, electric shock, lightning strikes, etc. Use of surge protection systems is highly recommended in order to protect and extend the service life of your equipment.

Please Activate your warranty by registering our product through the link below - www.orei.com/register

Technical Support

Need Help?

Our experienced Technical Support Team is here for you to answer your questions, give technical advice or help trouble-shoot your project to get you installed on time and on budget. Call, email or chat with us now.

OREI Live Technical Support Hours

US team (US/Canada/Mexico): Monday-Friday, 9 a.m. - 6 p.m. Central Time

Support Email - info@orei.com |

Support Number - 877-290-5530

Or

Chat Live on www.orei.com

Send us an instant message now. Our Technical Support Team will respond momentarily. Available during live support hours.

Introduction

The HDA-913 Audio Extractor with Audio Downmix can extract audio signals from any HDMI compliant source to digital optical or analog stereo L/R audio outputs. For maximum flexibility, this audio extractor also supports bitstream audio down-mix to analog stereo output, and keeps optical and HDMI output audio pass-through. Further, both input and output HDMI support video resolutions up to 4K2K@50/60Hz (YUV444). It supports 10bits HDR (High Dynamic Range) and HDMI high resolution digital audio pass-through formats, such as LPCM 2CH, Dolby TrueHD, Dolby Digital Plus, Dolby Atmos and DTS-HD Master Audio. Audio sampling rate is up to 192kHz. HDCP 2.2 and CEC pass-through are also supported.



1. HDMI 2.0b, HDCP 2.2 and DVI 1.0 compliant
2. Video resolutions up to 4K2K@50/60Hz (YUV444)
3. Extract HDMI source audio to multi-channel optical (SPDIF) or L/R analog audio output
4. HDMI pass-through audio input to HDMI and optical audio output
5. Supports bitstream audio down-mix to L/R analog output
6. Optical audio supports LPCM 2CH, Dolby Digital 2/5.1CH, DTS 2/5.1CH
7. Supports HDMI High Bit Rate(HBR) audio pass-through
8. Audio sample rates up to 192kHz
9. 10bits HDR (High Dynamic Range) pass-through
10. Supports CEC pass-through

Package Contents

1.	HDA-913 Audio Extractor	1 pcs
2.	5V/1A Power Adapter	1 pcs
3.	User Manual	1 pcs

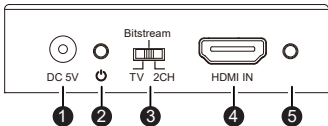
Specifications

Technical	
HDMI Compliance	HDMI 2.0b
HDCP Compliance	HDCP 2.2/1.4
Video Bandwidth	18Gbps
Video Resolution	Up to 4K2K@50/60Hz(YUV4:4:4), 4K2K@30Hz,1080P@120Hz, and 1080P 3D@60Hz
HDMI Audio Formats (Pass-through)	LPCM 2/5.1/7.1CH, Dolby Digital, DTS 5.1, Dolby Digital+, Dolby TrueHD, DTS-HD Master Audio, Dolby Atmos, DTS:X
Optical Audio Formats	LPCM 2CH, Dolby Digital 2/5.1CH, DTS 2/5.1CH
L/R Audio Formats	Analog Stereo 2CH
Color Space	RGB, YCbCr 4:4:4, YCbCr 4:2:2
Color Depth	10-bit, 12-bit
ESD Protection	Human-body Model: $\pm 8\text{kV}$ (Air-gap discharge), $\pm 4\text{kV}$ (Contact discharge)

Connections	
Inputs	1 × HDMI Type A [19-pin female]
Outputs	1 × HDMI Type A [19-pin female] 1 × L/R Audio Out [RCA] 1 × Optical Out [S/PDIF]
Mechanical	
Housing	Metal Enclosure
Silkscreen Color	Black
Dimensions	73.5mm (W) × 60.7mm (D) × 20mm (H)
Weight	135g
Power Supply	Input: AC 100-240V 50/60Hz Output: DC 5V/1A (US/EU standards, CE/FCC/UL certified)
Power Consumption	1.25W (Max)
Operation Temperature	32~104°F/0~40°C
Storage Temperature	-4~140°F/-20~60°C
Relative Humidity	20-90% RH (non-condensing)

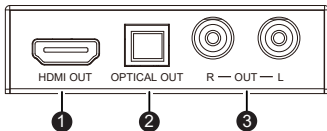
Operation Controls and Functions

Front Panel



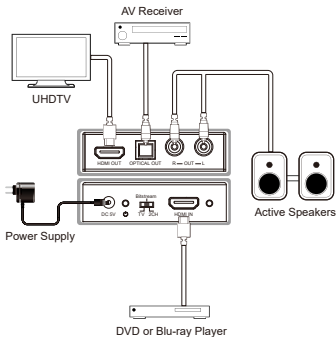
No.	Name	Function Description
1.	DC 5V	DC 5V 1A input port for power supply.
2.	Power LED	Power indicator.
3.	TV /Bitstream /2CH	Used to select audio format: TV: Copy EDID from TV. Bitstream: Multi-channel audio, up to six channels. 2CH: 2 channels Stereo PCM.
4.	HDMI IN	HDMI source input port, connects to an HDMI source device, such as DVD or PS3.
5.	Status LED	Red illuminating: PCM decoder or No signal. Red blinking: Dolby decoder. Green blinking: DTS decoder.

Rear Panel



No.	Name	Function Description
1.	HDMI OUT	HDMI output port, connects to an HDMI display device, such as TV or monitor.
2.	OPTICAL OUT	Toslink digital audio output port (mirrors HDMI).
3.	L/R OUT	Stereo RCA analog audio output port.

Application Example



dts

For DTS patents, see <http://patents.dts.com>. Manufactured under license from DTS Licensing Limited. DTS, the Symbol, DTS and the Symbol together, and Digital Surround are registered trademarks or trademarks of DTS, Inc. in the United States and/or other countries. © DTS, Inc. All Rights Reserved.

Dolby Audio

Manufactured under license from Dolby Laboratories. Dolby and the double-D symbol are trademarks of Dolby Laboratories.



**HDMI 18Gbps Audio Extractor
with Audio Downmix**

www.orei.com

© 2023