



ARC-EX300-K

**HDMI ARC & S/PDIF Audio Extender
(150m) over CAT Cable**

*Follow us on Youtube and
Facebook*

USER MANUAL



www.orei.com

Table of Contents

Introduction	04
Features	05
Package Contents	05
Specifications	06
Operation Controls and Functions	08
Application Example	10

Thank you for purchasing this product

Thank you for purchasing this product. For optimum performance and safety, please read these instructions carefully before connecting, operating or adjusting this product. Please keep this manual for future reference.

Surge protection device recommended

This product contains sensitive electrical components that may be damaged by electrical spikes, surges, electric shock, lightning strikes, etc. Use of surge protection systems is highly recommended in order to protect and extend the service life of your equipment.

Please Activate your warranty by registering our product through the link below - <https://www.orei.com/pages/warranty-registration>

Technical Support

Need Help?

Our experienced Technical Support Team is here for you to answer your questions, give technical advice or help troubleshoot your project to get you installed on time and on budget. Call, email or chat with us now.

OREI Live Technical Support Hours

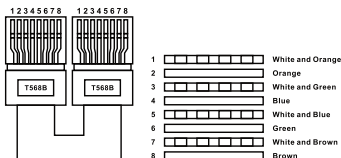
US team (US/Canada/Mexico): Monday-Friday, 9 a.m. - 6 p.m.

Central Time **Support Email** - info@orei.com |

Support Number - 877-290-5530

Caution

The product requires the use of UTP connectors. Please connect in direct interconnection method and do not cross connect.



Direct interconnection method

Introduction

The ARC-EX300-K can transmit HDMI ARC and S/PDIF audio signals up to a distance of 150m/492ft (96kHz) or 90m/295ft (192kHz) over a single CAT cable. CEC pass-through between HDMI ARC input port and ARC output port. For TVs without an ARC port, the extender provides an independent S/PDIF audio pass-through channel to transmit S/PDIF audio from the S/PDIF IN port on the Transmitter to the S/PDIF OUT port on the Receiver. This is a fantastic plug and play solution for sending HDMI ARC and S/PDIF audio from a TV back to an amplifier, AVR or a multi-room audio system.



1. Extend HDMI ARC audio signal up to a distance of 150m/495ft (96kHz) or 90m/295ft (192kHz) over a single CAT cable
2. Extend S/PDIF audio signal up to a distance of 150m/495ft (96kHz) over a single CAT cable
3. Supports PCM 2.0ch, Dolby 5.1ch, DTS 5.1ch audio formats.
4. CEC pass-through when HDMI ARC mode is enabled
5. Plug-and-play
6. Small compact size
7. Ultra-low jitter and high-fidelity design

Package Contents

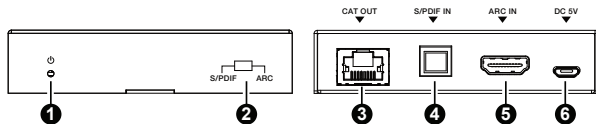
1.	ARC-EX300-K (Transmitter)	1 pcs
2.	ARC-EX300-K (Receiver)	1 pcs
3.	USB Shielded Cable (USB-A to Micro USB, 1m)	2 pcs
4.	5V/1A Power Adapter	2 pcs
5.	User Manual	1 pcs

Specifications

Technical	
Supported Audio Formats	PCM 2.0ch, Dolby 5.1ch, DTS 5.1ch
Transmission Distance and Sample Rates	ARC audio: 150m/495ft - 96kHz, 90m/295ft - 192kHz S/PDIF audio: 150m/495ft - 96kHz
ESD Protection	Human-body Model: $\pm 8\text{kV}$ (Air-gap discharge) , $\pm 4\text{kV}$ (Contact discharge)
Connection	
Transmitter	Input port: 1 \times S/PDIF IN [Optical Audio Jack] 1 \times ARC IN [HDMI Type A, 19-pin female] 1 \times Micro-USB Output port: 1 \times CAT OUT [RJ45]
Receiver	Input port: 1 \times CAT IN [RJ45] 1 \times Micro-USB Output port: 1 \times S/PDIF OUT [Optical Audio Jack] 1 \times ARC OUT [HDMI Type A, 19-pin female]
Mechanical	
Housing	Metal Enclosure
Color	Black
Dimensions	90mm (W) \times 72mm (D) \times 20mm (H)
Weight	175g
Power Consumption	Transmitter: 0.35W / Receiver: 0.7W
Power Supply	DC 5V/1A
Operating Temperature	32-104°F / 0-40°C
Storage Temperature	-4-140°F / -20-60°C
Relative Humidity	20-90% RH (Non-condensing)

Operation Controls and Functions

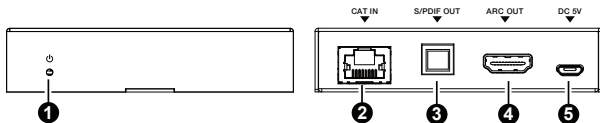
Transmitter



No.	Name	Function Description
1.	Power LED	When the Transmitter is powered on, the red power LED will be on.
2.	S/PDIF /ARC switch	Use this switch to select audio pass-through channel. Switch to "S/PDIF": The S/PDIF OUT port outputs the optical audio from the S/PDIF IN port of the transmitter. Switch to "ARC": The ARC OUT port outputs the HDMI ARC audio from the ARC IN port of the transmitter.
3.	CAT OUT	Connect to the CAT IN port of the receiver with a CAT6 cable.
4.	S/PDIF IN	Optical fiber audio input port, connected to an optical digital audio source device with an Optical Toslink cable.
5.	ARC IN	HDMI audio signal input port, connected to the TV ARC port. Used for ARC audio and CEC pass-through.
6.	DC 5V	Micro USB power input port.

Operation Controls and Functions

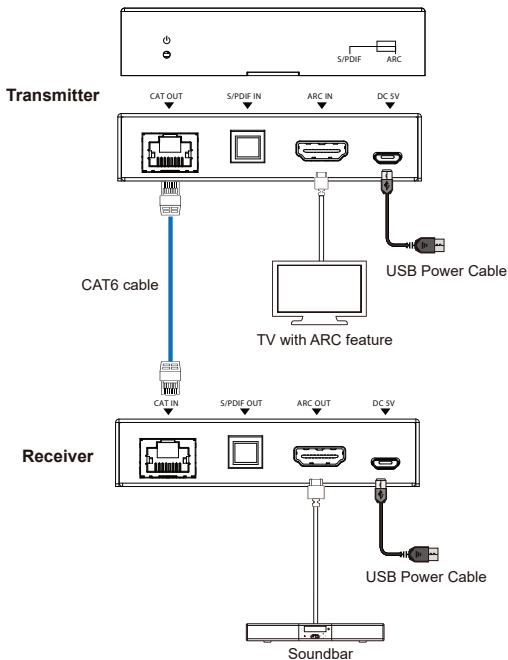
Receiver



No.	Name	Function Description
1.	Power LED	When the Receiver is powered on, the red power LED will be on.
2.	CAT IN	Connect to the CAT OUT port of the transmitter with a CAT6 cable.
3.	S/PDIF OUT	Optical fiber audio output port, connected to amplifier or speaker with an Optical Toslink cable.
4.	ARC OUT	HDMI audio signal output port, connected to the ARC of a sound system.
5.	DC 5V	Micro USB power input port.

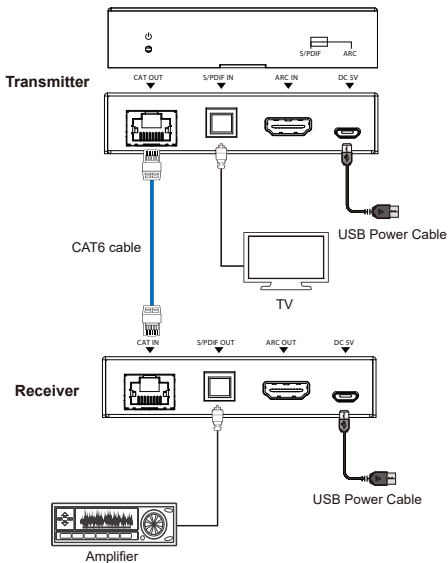
Application Example

Situation 1: ARC Mode



Application Example

Situation 2: S/PDIF Pass-through Mode



HDMITM
HIGH-DEFINITION MULTIMEDIA INTERFACE

The terms HDMI and HDMI High-Definition Multimedia Interface, and the HDMI Logo are trademarks or registered trademarks of HDMI Licensing LLC in the United States and other countries.



**HDMI ARC & S/PDIF Audio Extender
(150m) over CAT Cable**

ARC-EX300-K

www.orei.com

© 2023