



VALVE BOXES

**“QUALITY BY
DESIGN”**



QUALITY BY
DESIGN

CORPORATE OFFICES AND FACTORY
PO BOX 2097
533 EAST THIRD STREET
BEAUMONT, CA 92223
(951)845-3161
FAX (951)845-7644

Dura Plastic Products, Inc. ("Sellers") warrants to the original Buyer only, that all products shall be free from defects in design and manufacture for a period of one year from the date of delivery, provided that such products are installed, used and/or adjusted only in strict accordance with the appropriate guidelines.

**FOR USE IN NON-VEHICULAR TRAFFIC AREAS.
WEIGHTS AND DIMENSIONS MAY VARY.**

MODIFICATION OF BOXES VOIDS WARRANTY. In no event shall the foregoing warranty extend to any products in any way caused or allowed to be, or installed, operated or used in such a manner as to be, subject or exposed to conditions of misuse, abuse or accident. The sole obligation of Seller, and the exclusive remedy of Buyer under this warranty, under any other warranty, expressed or implied, under any rule of law including strict liability, negligence, indemnity, or otherwise, is the replacement of the defective goods by Seller, or at Seller's sole election, the return of the purchase price of the defective goods.

Any products returned by Buyer to Seller under the foregoing terms shall be returned to Seller's place of business freight prepaid, accompanied or preceded by Buyer's particularized statement of the claimed defect. The risk of loss and freight charges to and from Seller in connection with any returned products shall be borne by Buyer, but Seller shall bear such additional freight charges arising in connection with any such returned products ultimately determined by the Seller to be defective under the terms of the foregoing warranty.

The agreement of Seller to sell its products is expressly conditioned upon the Buyer's assent to, and Seller agrees to sell its products upon, all terms and conditions set forth above and on the face hereof. Buyer's acceptance of any products provided under this sale shall constitute such assent.

THE FOREGOING WARRANTY IS EXCLUSIVE AND IN LIEU OF ANY AND ALL OTHER WARRANTIES, EXPRESSED OR IMPLIED. NO WARRANTY OF MERCHANTABILITY, NO IMPLIED WARRANTY OF FITNESS FOR ANY PARTICULAR PURPOSE, AND NO IMPLIED WARRANTY ARISING BY USAGE OF TRADE, COURSE OF DEALING OR COURSE OF PERFORMANCE IS GIVEN BY SELLER OR SHALL ARISE BY OR IN CONNECTION WITH THIS SALE AND/OR THE SELLER'S AND/OR BUYER'S CONDUCT IN RELATION THERETO OR TO EACH OTHER, AND IN NO EVENT SHALL SELLER BE LIABLE FOR ANY SPECIAL INDIRECT, INCIDENTAL OR CONSEQUENTIAL DAMAGES ARISING IN ANY WAY IN CONNECTION WITH ANY PRODUCTS OF THE SALE.

RETURNED MERCHANDISE: No merchandise will be accepted for return without authorization. Merchandise must be returned freight prepaid and will be subject to a 20% handling charge.

TERMS: Invoices are due and payable thirty (30) days from date of invoice. A two (2) percent prompt payment discount on net amount of invoice **Excluding Freight** will be allowed if paid by the 10th. All orders received after the 25th of the month will be considered as of the 1st of the following month for billing purposes.

FREIGHT: Prepaid on orders for products totaling 5 pallet quantities for one shipment to single destination within the contiguous United States.

Possession of this price list shall not be construed as an offer to sell the products listed.

STANDARD WARRANTY

TABLE OF CONTENTS

INDEX

	PAGE
• Standard Warranty	1
• Installation	3
• 6" Round	4
• 7" Round	5
• 10" Round	6
• 12" x 17" Rectangular (12" deep)	7
• 12" x 17" Rectangular (6" deep)	8
• 12" x 17" Rectangular (6" extension)	9
• 12" x 17" Meter Box (12" deep)	10
• 15" x 21" Rectangular (12" deep)	11
• 15" x 21" Rectangular (6" deep)	12
• 15" x 21" Rectangular (6" extension)	13

TECHNICAL & MATERIAL INFORMATION

Static Vertical Load Rating SCTE-Light Duty, Pedestrian		
Properties of Base Material	ASTM Test Method	HDPE
Tensile Strength	D-638	2,700-4,400 psi (Typical Range)
Flexural Modulus	D-790	Min. 140,000 not to exceed 240,000 psi
Notched Izod Impact Strength	D-256	0.5 - 3.0 (Typical Range)
Deflection Temperature@66psi	D-648	150° - 200° F. (Typical Range)
Density	D-792	Min. 0.950 not to exceed 0.965
Electrical Dielectric Strength	D-149	400 - 600 V/mil (Typical Range)
Molded Product		
Chemical Resistance	D-543	Very Resistant*
Water Absorption	D-570	Less than 1% weight change

VALVE BOXES

DURA PLASTIC PRODUCTS, INC.

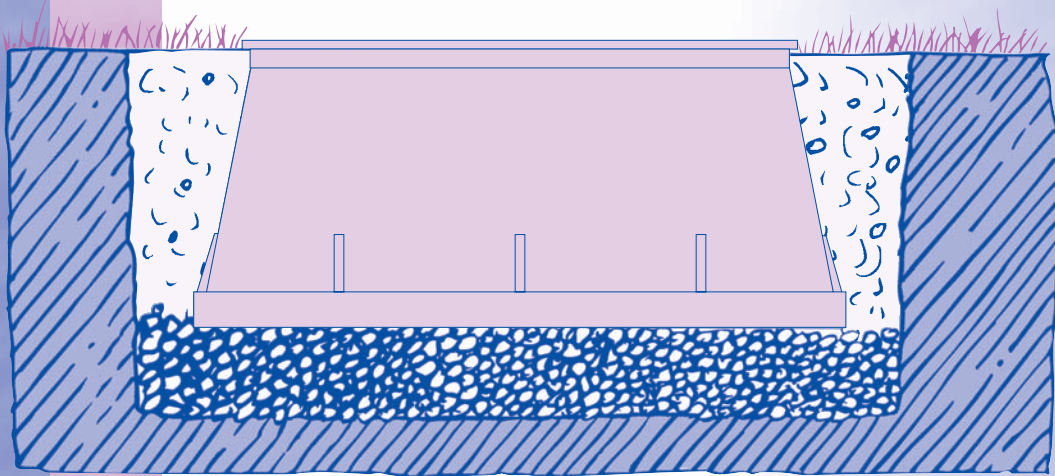
P.O. BOX 2097
533 EAST THIRD STREET
BEAUMONT, CA 92223

www.duraplastics.com



QUALITY BY
DESIGN

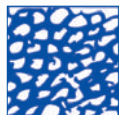
TYPICAL VALVE BOX INSTALLATION



Excavated earth



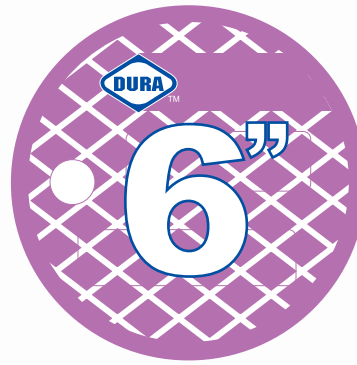
Undisturbed earth



Base material (e.g. crushed rock)

BOX & LID COMBOS

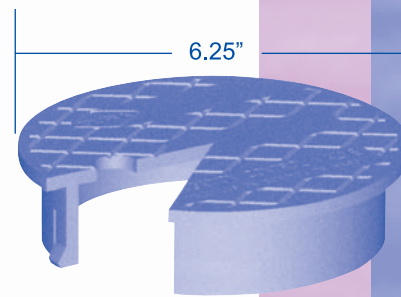
COLOR		PART NUMBER
BOX	LID	
BLACK	GREEN	60
GREEN	GREEN	61
TAN	TAN	62
PURPLE	PURPLE	63



QUALITY BY DESIGN

SEPARATES

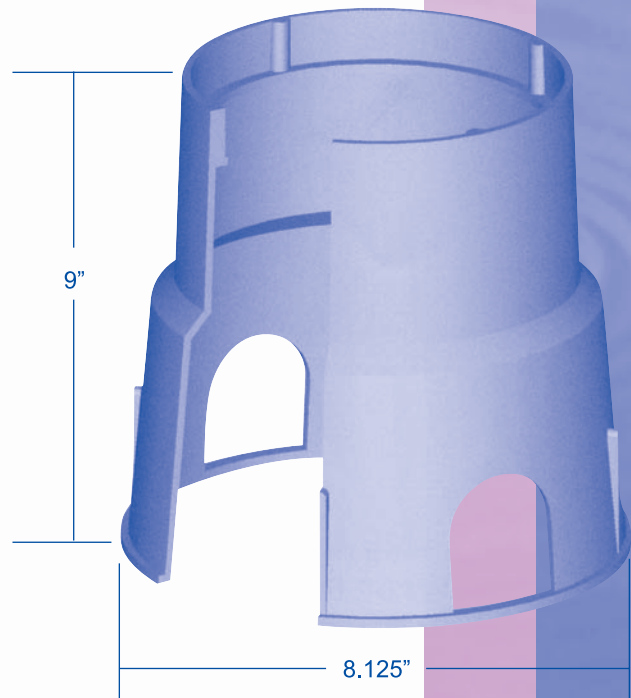
COLOR	LID	BODY
	PART NO.	PART NO.
GREEN	T61	B61
BLACK	-	B64
TAN	T62	B62
PURPLE	T63	B63



LID ENGRAVING

All lids are shipped engraved with:
"IRRIGATION CONTROL VALVE"
unless ordered as follows:

Designation:	Body & Lid	Lid
TELEPHONE	61-T	T61-T
ELECTRIC JUNCTION	61-E	T61-E
LOW VOLTAGE		
LANDSCAPE LIGHTING	61-L	T61-L



ROUND VALVE BOX

Shipping:

Standard Pallet = 570 pcs

Ask your rep how you can save money
by buying container loads direct.

20 Container	18 Pallets	450 pcs per pallet
40 Container	40 Pallets	570 pcs per pallet

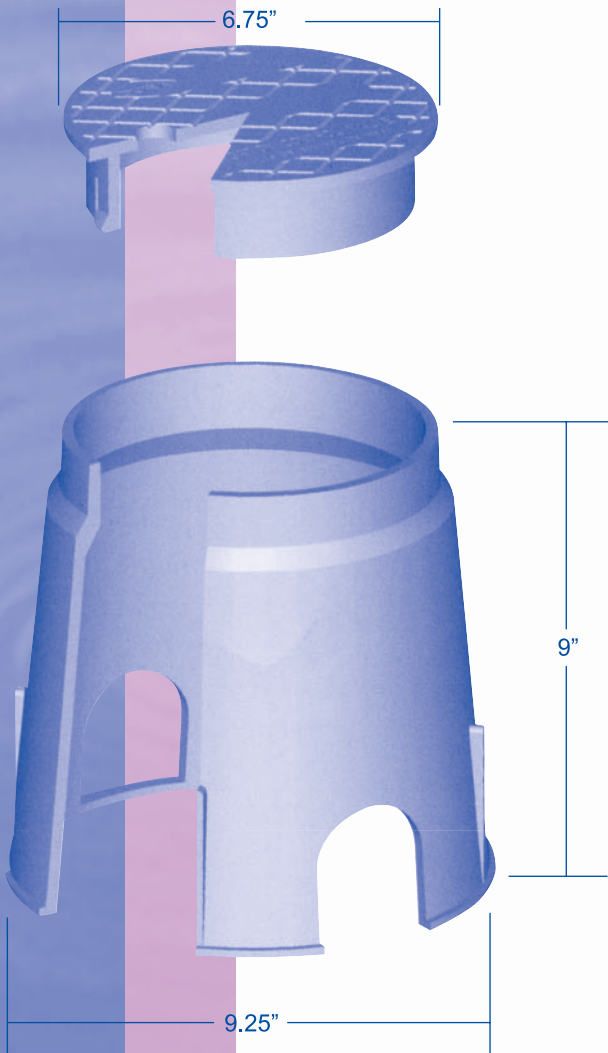
FOR USE IN NON-VEHICULAR TRAFFIC AREAS.
WEIGHTS AND DIMENSIONS MAY VARY.



QUALITY BY DESIGN



ROUND VALVE BOX



BOX & LID COMBOS

BOX	COLOR		PART NUMBER
	LID		
BLACK	GREEN		70
GREEN	GREEN		71
TAN	TAN		72
PURPLE	PURPLE		73
BLACK	BLACK		74
GREY	GREY		75

SEPARATES

COLOR	LID	BODY
	PART NO.	PART NO.
GREEN	T71	B71
TAN	T72	B72
PURPLE	T73	B73
BLACK	T74	B74
GREY	T75	B75

LID ENGRAVING

All lids are shipped engraved with: "IRRIGATION CONTROL VALVE" unless ordered as follows:

Designation:	Body & Lid	Lid
TELEPHONE	7_-T	T7_-T
ELECTRIC JUNCTION	7_-E	T7_-E
LOW VOLTAGE		
LANDSCAPE LIGHTING	7_-L	T7_-L

ORDER EXAMPLE: To order a Green box/lid combo engraved with "TELEPHONE" you would select "71-T" or for a black lid only you would select "T74-T"

Shipping:

Standard Pallet = 240 pcs

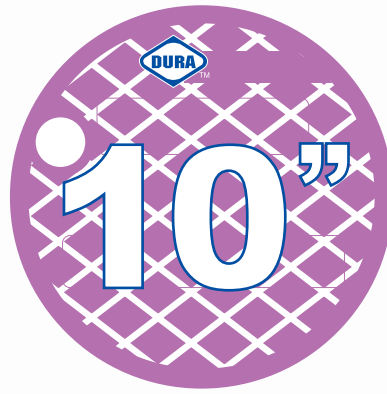
Ask your rep how you can save money by buying container loads direct.

20 Container	18 Pallets	200 pcs per pallet
40 Container	40 Pallets	240 pcs per pallet

FOR USE IN NON-VEHICULAR TRAFFIC AREAS. WEIGHTS AND DIMENSIONS MAY VARY.

BOX & LID COMBOS

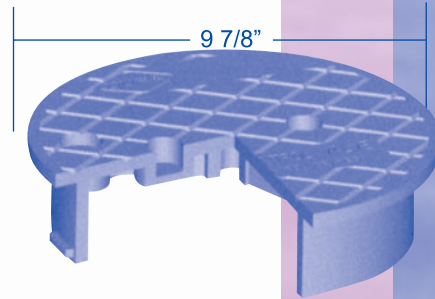
COLOR		PART NUMBER
BOX	LID	
BLACK	GREEN	100
GREEN	GREEN	101
TAN	TAN	102
PURPLE	PURPLE	103
BLACK	BLACK	104
GREY	GREY	105



QUALITY BY DESIGN

SEPARATES

COLOR	LID	BODY
	PART NO.	PART NO.
GREEN	T101	B101
TAN	T102	B102
PURPLE	T103	B103
BLACK	T104	B104
GREY	T105	B105



LID ENGRAVING

All lids are shipped engraved with:
"IRRIGATION CONTROL VALVE"
unless ordered as follows:

Designation:	Body & Lid	Lid
TELEPHONE	10_-T	T10_-T
ELECTRIC JUNCTION	10_-E	T10_-E
LOW VOLTAGE		
LANDSCAPE LIGHTING	10_-L	T10_-L

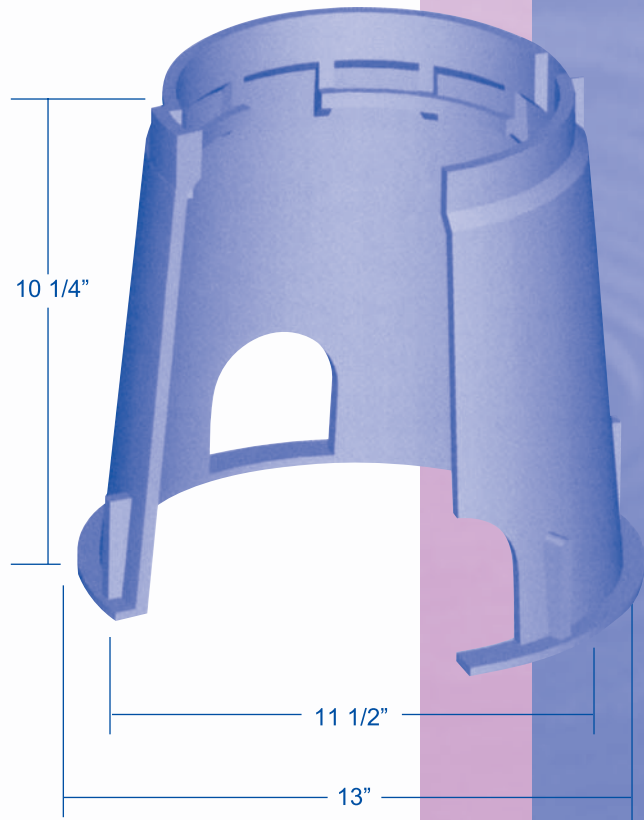
ORDER EXAMPLE: To order a Green box/lid combo engraved with "TELEPHONE" you would select "101-T" or for a black lid only you would select "T104-T"

Shipping:

Standard Pallet = 156 pcs

Ask your rep how you can save money by buying container loads direct.

20 Container	18 Pallets	120 pcs per pallet
40 Container	40 Pallets	156 pcs per pallet

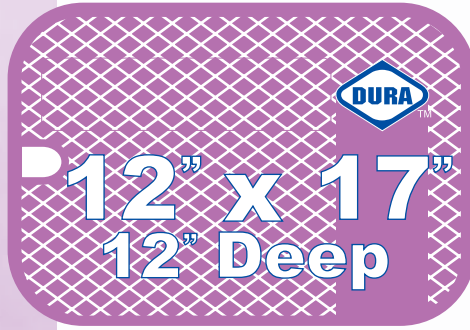


ROUND VALVE BOX

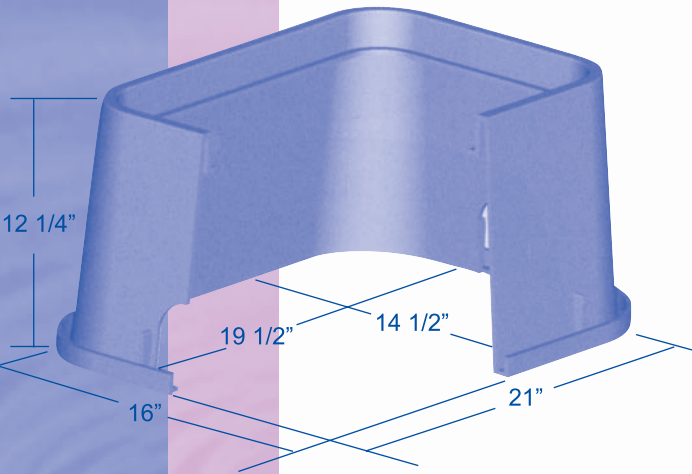
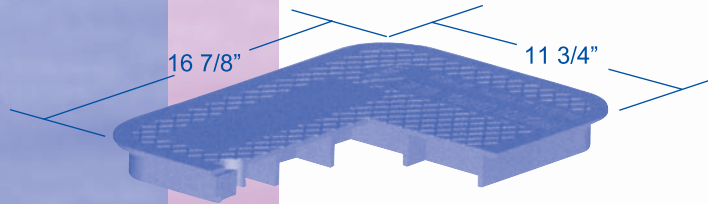
FOR USE IN NON-VEHICULAR TRAFFIC AREAS.
WEIGHTS AND DIMENSIONS MAY VARY.



QUALITY BY DESIGN



RECTANGULAR VALVE BOX



BOX & LID COMBOS

COLOR		PART NUMBER
BOX	LID	
BLACK	GREEN	120
GREEN	GREEN	121
TAN	TAN	122
PURPLE	PURPLE	123
BLACK	BLACK	124
GREY	GREY	125

SEPARATES

COLOR	LID PART NO.	BODY PART NO.
GREEN	T121	B121
TAN	T122	B122
PURPLE	T123	B123
BLACK	T124	B124
GREY	T125	B125

LID ENGRAVING

All lids are shipped engraved with: "IRRIGATION CONTROL VALVE" unless ordered as follows:

Designation:	Body & Lid	Lid
TELEPHONE	12_-T	T12_-T
ELECTRIC JUNCTION	12_-E	T12_-E
LOW VOLTAGE		
LANDSCAPE LIGHTING	12_-L	T12_-L

ORDER EXAMPLE: To order a Green box/lid combo engraved with "TELEPHONE" you would select "121-T" or for a black lid only you would select "T124-T"

Shipping:

Standard Pallet = 72 pcs

Ask your rep how you can save money by buying container loads direct.

20 Container	18 Pallets	54 pcs per pallet
40 Container	40 Pallets	72 pcs per pallet

FOR USE IN NON-VEHICULAR TRAFFIC AREAS. WEIGHTS AND DIMENSIONS MAY VARY.

BOX & LID COMBOS

COLOR		PART NUMBER
BOX	LID	
BLACK	GREEN	120-6
GREEN	GREEN	121-6
TAN	TAN	122-6
PURPLE	PURPLE	123-6
BLACK	BLACK	124-6
GREY	GREY	125-6

SEPARATES

COLOR	LID PART NO.	BODY PART NO.
GREEN	T121	B121-6
TAN	T122	B122-6
PURPLE	T123	B123-6
BLACK	T124	B124-6
GREY	T125	B125-6

LID ENGRAVING

All lids are shipped engraved with:
"IRRIGATION CONTROL VALVE"
unless ordered as follows:

Designation:	Body & Lid	Lid
TELEPHONE	12_-6-T	T12_-T
ELECTRIC JUNCTION	12_-6-E	T12_-E
LOW VOLTAGE		
LANDSCAPE LIGHTING	12_-6-L	T12_-L

ORDER EXAMPLE: To order a Green box/lid combo engraved with "TELEPHONE" you would select "121-6-T" or for a black lid only you would select "T124-6-T"

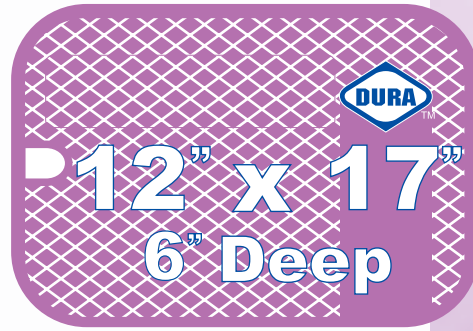
Shipping:

Standard Pallet = 98 pcs

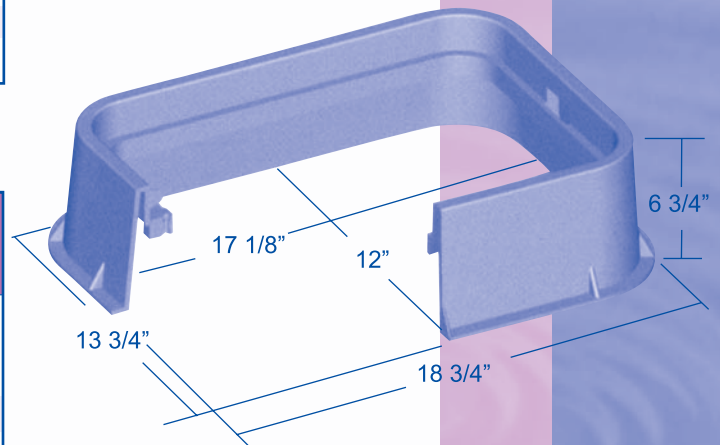
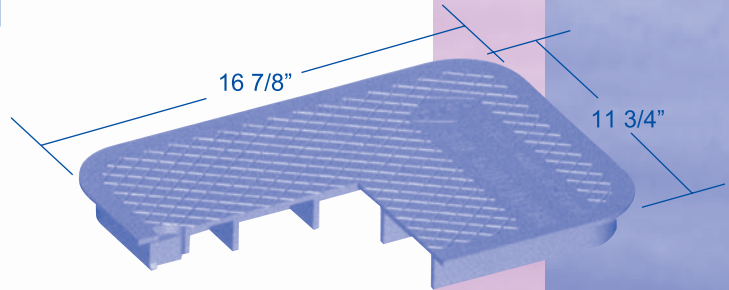
Ask your rep how you can save money by buying container loads direct.

20 Container	18 Pallets	77 pcs per pallet
40 Container	40 Pallets	98 pcs per pallet

FOR USE IN NON-VEHICULAR TRAFFIC AREAS.
WEIGHTS AND DIMENSIONS MAY VARY.



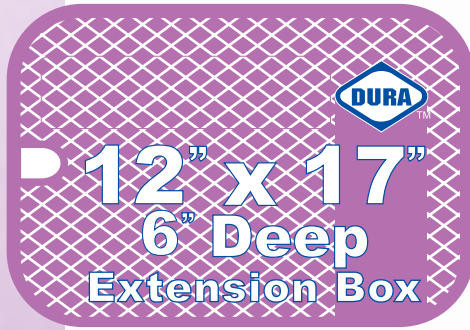
QUALITY BY DESIGN



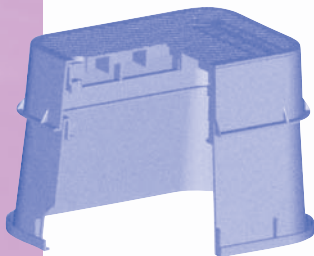
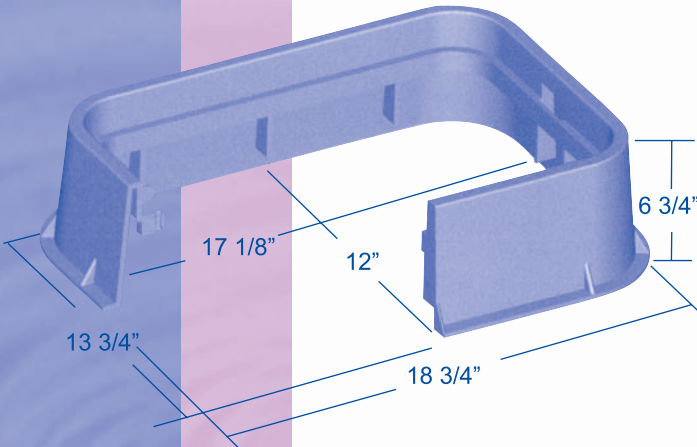
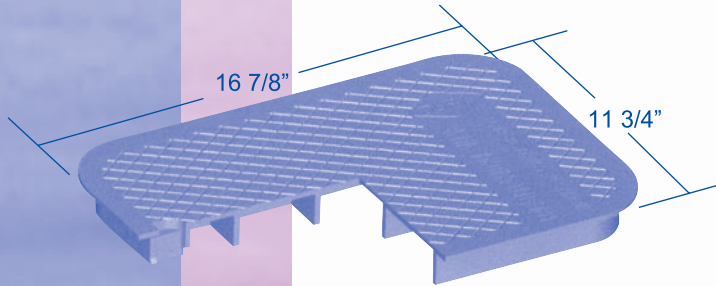
RECTANGULAR VALVE BOX



QUALITY BY DESIGN



RECTANGULAR VALVE BOX



Use as an extension on 12" deep box for a total of 18" depth

BOX & LID COMBOS

COLOR		PART NUMBER
BOX	LID	
BLACK	GREEN	120-X
GREEN	GREEN	121-X
TAN	TAN	122-X
PURPLE	PURPLE	123-X
BLACK	BLACK	124-X
GREY	GREY	125-X

SEPARATES

COLOR	LID PART NO.	BODY PART NO.
GREEN	T121	B121-X
TAN	T122	B122-X
PURPLE	T123	B123-X
BLACK	T124	B124-X
GREY	T125	B125-X

LID ENGRAVING

All lids are shipped engraved with: "IRRIGATION CONTROL VALVE" unless ordered as follows:

Designation:	Body & Lid	Lid
TELEPHONE	12_-X-T	T12_-T
ELECTRIC JUNCTION	12_-X-E	T12_-E
LOW VOLTAGE		
LANDSCAPE LIGHTING	12_-X-L	T12_-L

ORDER EXAMPLE: To order a Green box/lid combo engraved with "TELEPHONE" you would select "121-X-T" or for a black lid only you would select "T124-T"

Shipping:

Standard Pallet = 49 pcs

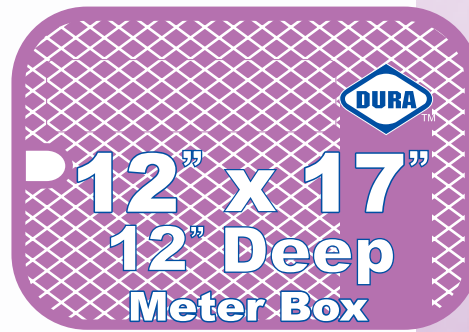
Ask your rep how you can save money by buying container loads direct.

20 Container	18 Pallets	42 pcs per pallet
40 Container	40 Pallets	49 pcs per pallet

FOR USE IN NON-VEHICULAR TRAFFIC AREAS. WEIGHTS AND DIMENSIONS MAY VARY.

BOX & LID COMBOS

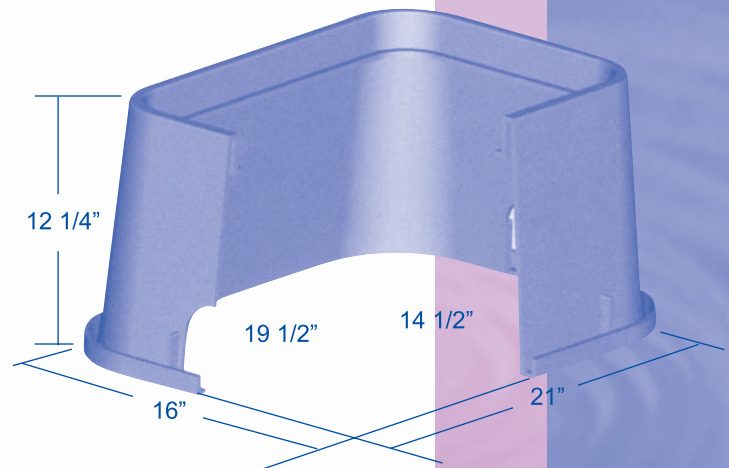
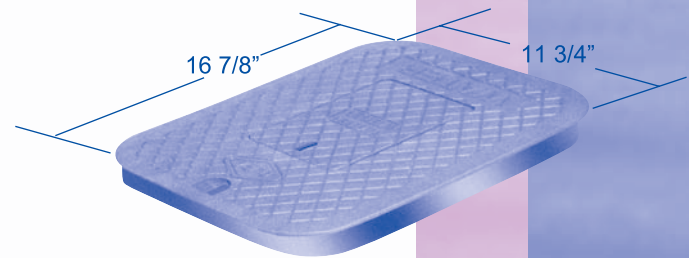
COLOR		PART NUMBER
BOX	LID	
BLACK	GREEN	120.MR
GREEN	GREEN	121.MR
TAN	TAN	122.MR
BLACK	BLACK	124.MR



QUALITY BY DESIGN

SEPARATES

COLOR	LID	BODY
	PART NO.	PART NO.
GREEN	T121	B121
TAN	T122	B122
BLACK	T124	B124



METER BOX

Shipping:

Standard Pallet = 72 pcs

Ask your rep how you can save money by buying container loads direct.

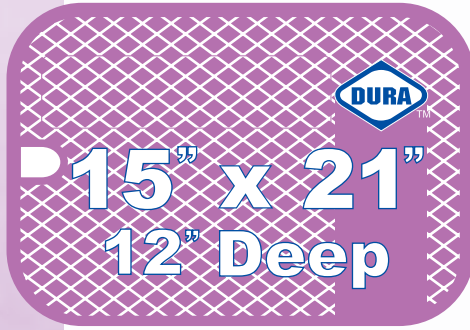
20 Container	18 Pallets	54 pcs per pallet
40 Container	40 Pallets	72 pcs per pallet

FOR USE IN NON-VEHICULAR TRAFFIC AREAS. WEIGHTS AND DIMENSIONS MAY VARY.

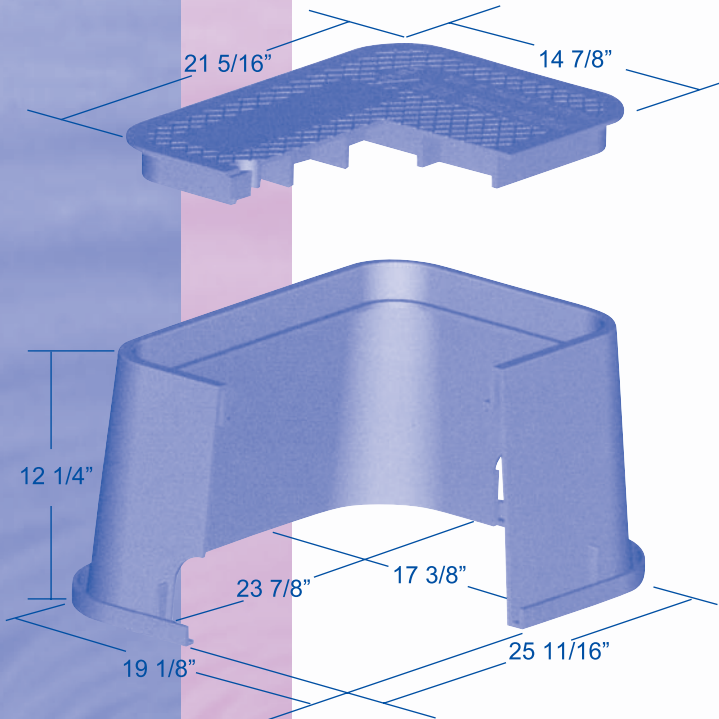
PRICES SUBJECT TO CHANGE WITHOUT NOTICE



QUALITY BY DESIGN



RECTANGULAR VALVE BOX



BOX & LID COMBOS

BOX	COLOR		PART NUMBER
	LID		
BLACK	GREEN		150
GREEN	GREEN		151
TAN	TAN		152
PURPLE	PURPLE		153
BLACK	BLACK		154
GREY	GREY		155

SEPARATES

COLOR	LID PART NO.	BODY PART NO.
GREEN	T151	B151
TAN	T152	B152
PURPLE	T153	B153
BLACK	T154	B154
GREY	T155	B155

LID ENGRAVING

All lids are shipped engraved with: "IRRIGATION CONTROL VALVE" unless ordered as follows:

Designation:	Body & Lid	Lid
TELEPHONE	15_-T	T15_-T
ELECTRIC JUNCTION	15_-E	T15_-E
LOW VOLTAGE		
LANDSCAPE LIGHTING	15_-L	T15_-L

ORDER EXAMPLE: To order a Green box/lid combo engraved with "TELEPHONE" you would select "151-T" or for a black lid only you would select "T154-T"

Shipping:

Standard Pallet = 48 pcs

Ask your rep how you can save money by buying container loads direct.

20 Container	18 Pallets	40 pcs per pallet
40 Container	40 Pallets	48 pcs per pallet

FOR USE IN NON-VEHICULAR TRAFFIC AREAS. WEIGHTS AND DIMENSIONS MAY VARY.

BOX & LID COMBOS

COLOR		PART NUMBER
BOX	LID	
BLACK	GREEN	150-6
GREEN	GREEN	151-6
TAN	TAN	152-6
PURPLE	PURPLE	153-6
BLACK	BLACK	154-6
GREY	GREY	155-6

SEPARATES

COLOR	LID	BODY
	PART NO.	PART NO.
GREEN	T151	B151-6
TAN	T152	B152-6
PURPLE	T153	B153-6
BLACK	T154	B154-6
GREY	T155	B155-6

LID ENGRAVING

All lids are shipped engraved with:
"IRRIGATION CONTROL VALVE"
unless ordered as follows:

Designation:	Body & Lid	Lid
TELEPHONE	15_-6-T	T15_-T
ELECTRIC JUNCTION	15_-6-E	T15_-E
LOW VOLTAGE		
LANDSCAPE LIGHTING	15_-6-L	T15_-L

ORDER EXAMPLE: To order a Green box/lid combo engraved with "TELEPHONE" you would select "151-6-T" or for a black lid only you would select "T154-T"

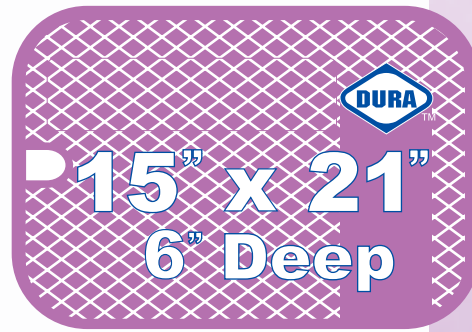
Shipping:

Standard Pallet = 56 pcs

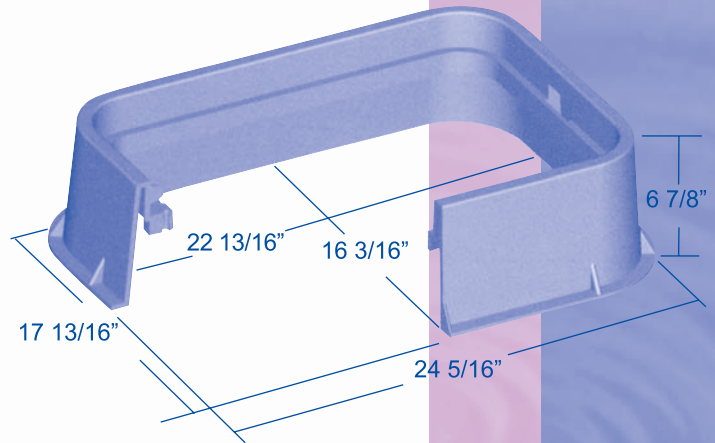
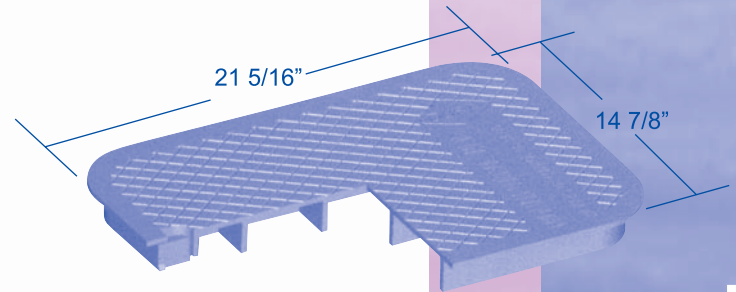
Ask your rep how you can save money by buying container loads direct.

20 Container	18 Pallets	48 pcs per pallet
40 Container	40 Pallets	56 pcs per pallet

FOR USE IN NON-VEHICULAR TRAFFIC AREAS.
WEIGHTS AND DIMENSIONS MAY VARY.



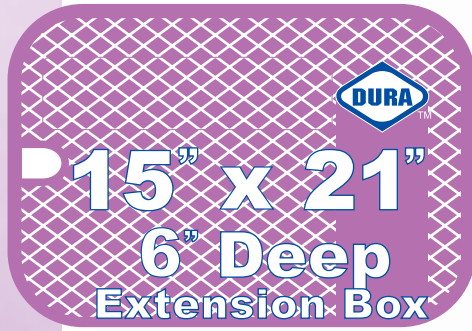
QUALITY BY DESIGN



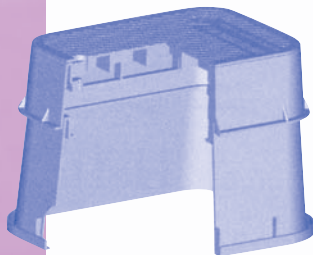
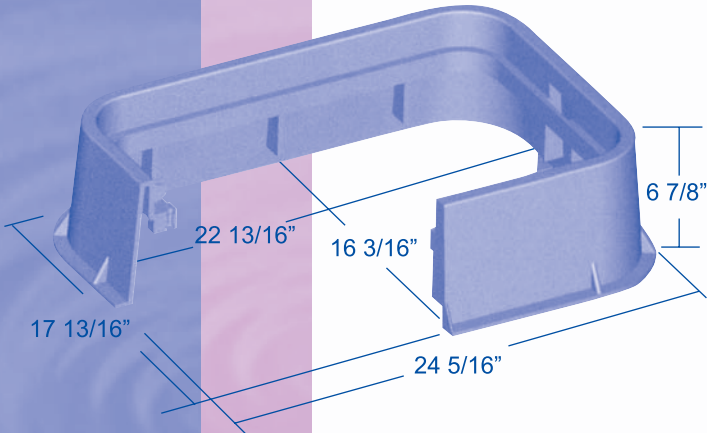
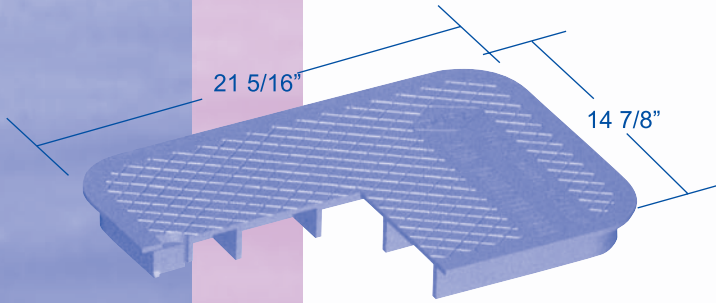
RECTANGULAR VALVE BOX



QUALITY BY DESIGN



RECTANGULAR VALVE BOX



Use as an extension on 12" deep box for a total of 18" depth

BOX & LID COMBOS

COLOR		PART NUMBER
BOX	LID	
BLACK	GREEN	150-X
GREEN	GREEN	151-X
TAN	TAN	152-X
PURPLE	PURPLE	153-X
BLACK	BLACK	154-X
GREY	GREY	155-X

SEPARATES

COLOR	LID PART NO.	BODY PART NO.
GREEN	T151	B151-X
TAN	T152	B152-X
PURPLE	T153	B153-X
BLACK	T154	B154-X
GREY	T155	B155-X

LID ENGRAVING

All lids are shipped engraved with: "IRRIGATION CONTROL VALVE" unless ordered as follows:

Designation:	Body & Lid	Lid
TELEPHONE	15_-X-T	T15_-T
ELECTRIC JUNCTION	15_-X-E	T15_-E
LOW VOLTAGE		
LANDSCAPE LIGHTING	15_-X-L	T15_-L

ORDER EXAMPLE: To order a Green box/lid combo engraved with "TELEPHONE" you would select "151-X-T" or for a black lid only you would select "T154-T"

Shipping:

Standard Pallet = 28 pcs

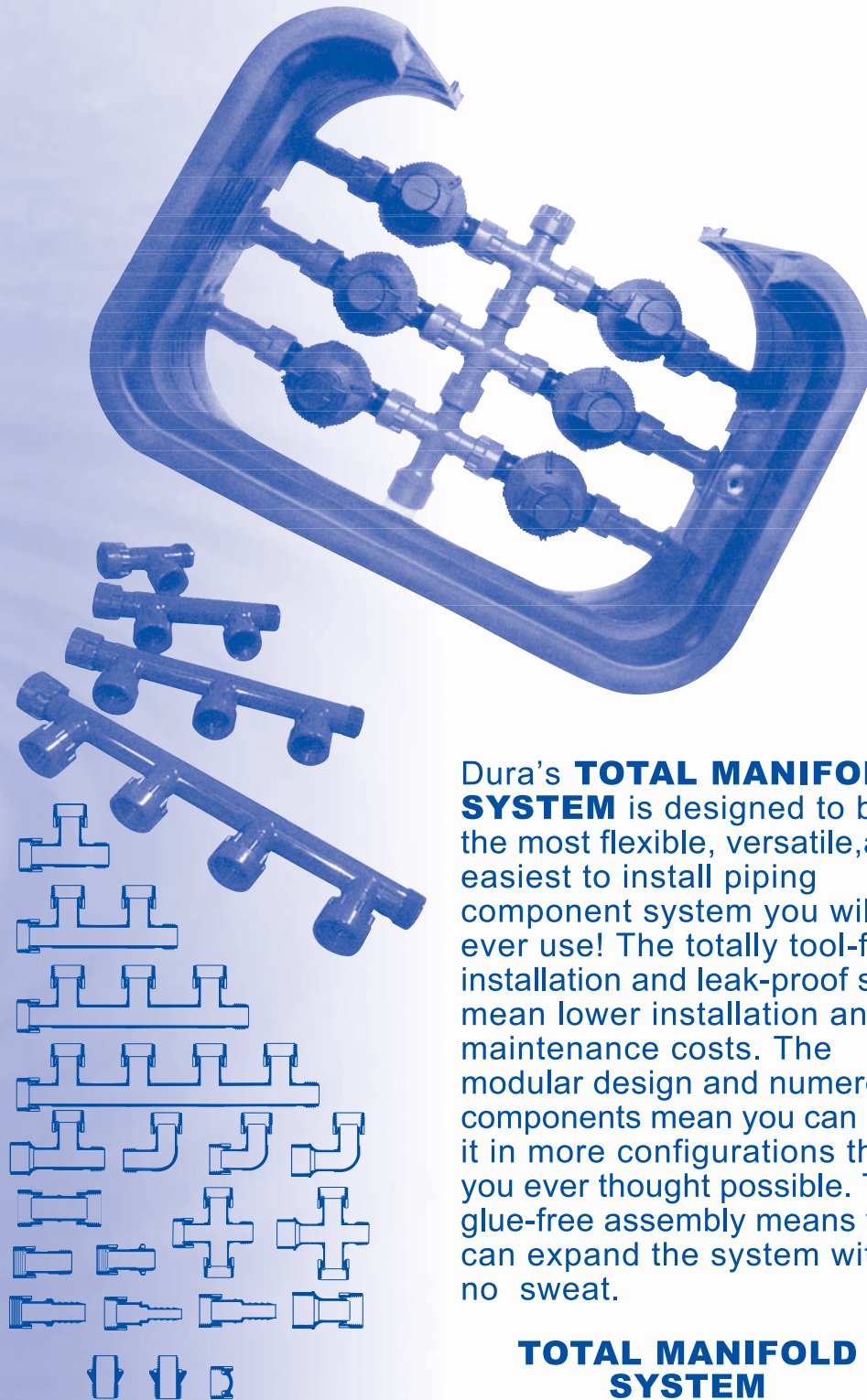
Ask your rep how you can save money by buying container loads direct.

20 Container	18 Pallets	24 pcs per pallet
40 Container	40 Pallets	28 pcs per pallet

FOR USE IN NON-VEHICULAR TRAFFIC AREAS. WEIGHTS AND DIMENSIONS MAY VARY.



QUALITY BY
DESIGN



Dura's **TOTAL MANIFOLD SYSTEM** is designed to be the most flexible, versatile, and easiest to install piping component system you will ever use! The totally tool-free installation and leak-proof seal mean lower installation and maintenance costs. The modular design and numerous components mean you can use it in more configurations than you ever thought possible. The glue-free assembly means you can expand the system with no sweat.

TOTAL MANIFOLD SYSTEM

So easy to install, it's almost a religious experience!

Check out the entire **TOTAL MANIFOLD SYSTEM** in Dura's **SPECIAL PIPING COMPONENTS CATALOG!**
It's a perfect match with **DURA Valve Boxes!**

**TOTAL
MANIFOLD
SYSTEM**



QUALITY BY
DESIGN

VALVE BOXES

A large rectangular area with horizontal lines, intended for taking notes.

NOTES

DURA WAREHOUSES

① CORPORATE

OFFICE (951)845-3161 FAX (951) 845-7644

② PERRY, GA

OFFICE (478) 988-0282
FAX (478) 987-7003

④ FRACKVILLE, PA

OFFICE (570) 874-4651
FAX (570) 874-4652

⑥ SALT LAKE CITY, UT

OFFICE (801) 973-9442
FAX (801) 973-9258

③ BURLINGTON, IA

OFFICE (319) 758-9060
FAX (319) 758-9058
TOLL FREE (800) 758-9060

⑤ CARROLLTON, TX

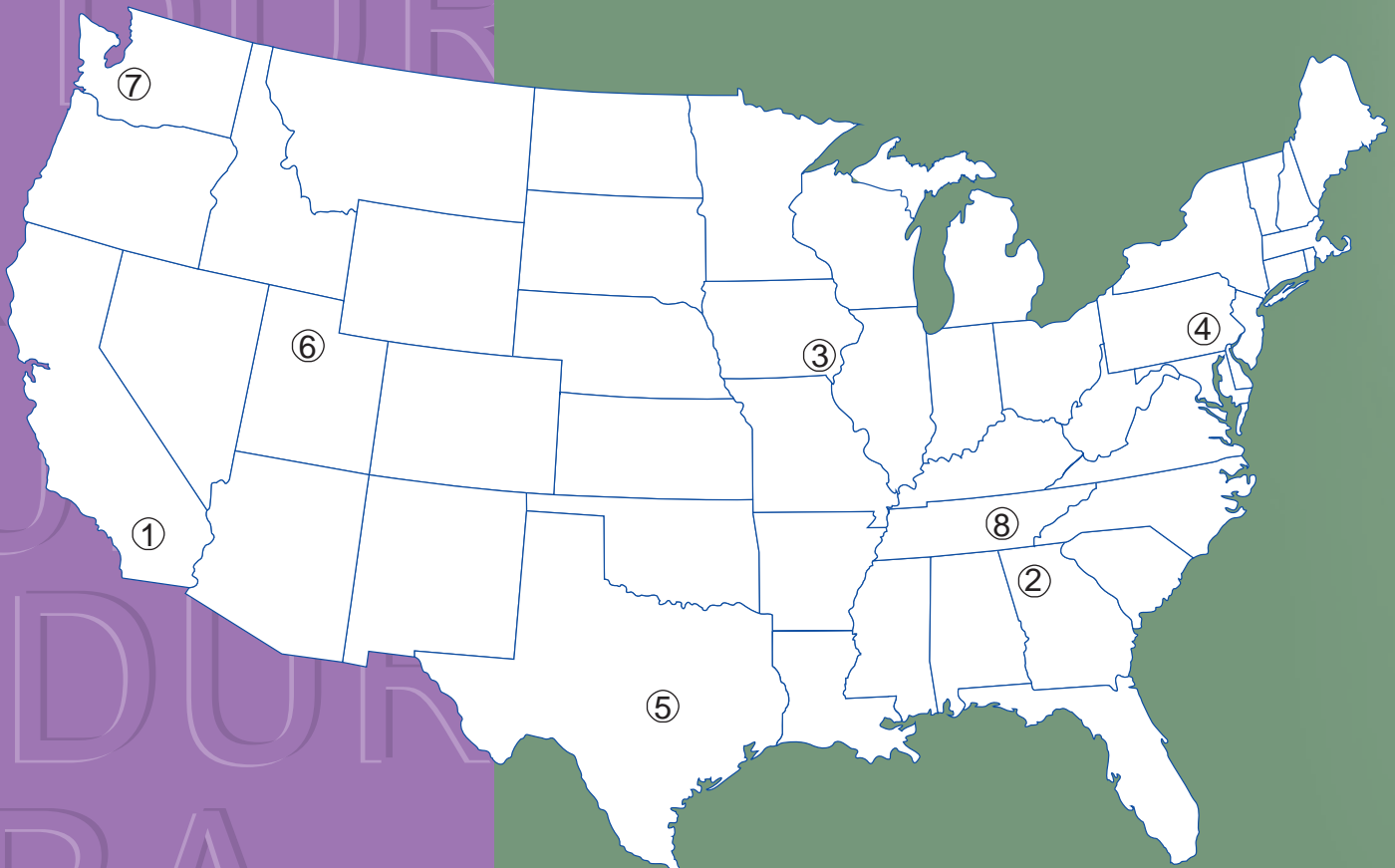
OFFICE (972) 406-8996
FAX (972) 406-0306
ORDER FAX (800) 709-2220

⑦ PASCO, WA

OFFICE (509) 547-7272
FAX (509) 547-0107

⑧ CELINA, TN

OFFICE (931) 243-5544
FAX (931) 243-5542



NATIONAL ORDER DESK

1-(800)854-2323

CALIFORNIA ORDER DESK

1-(800)472-8564

**DURA PLASTIC
PRODUCTS, INC.**

**P.O. BOX 2097
BEAUMONT, CA 92223**