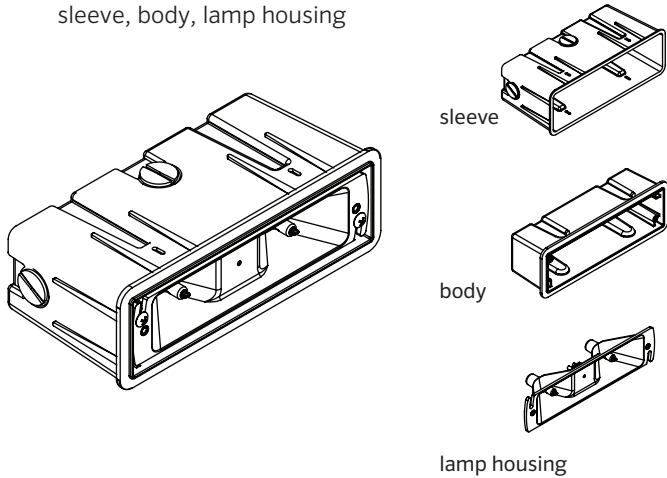


# INSTALL NOTES: LM

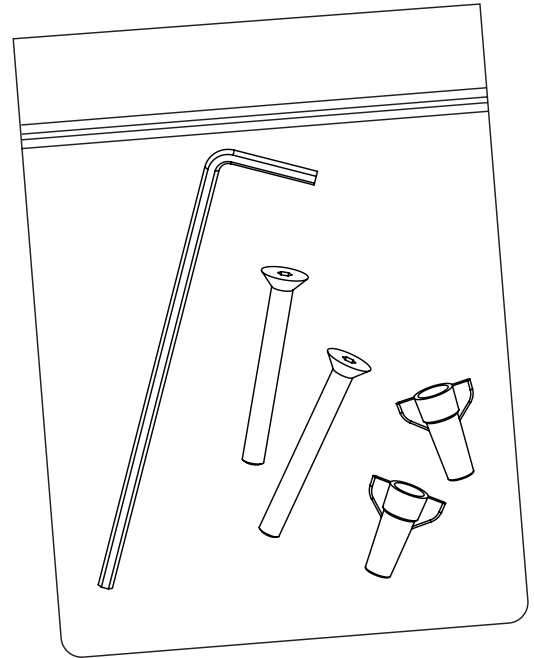
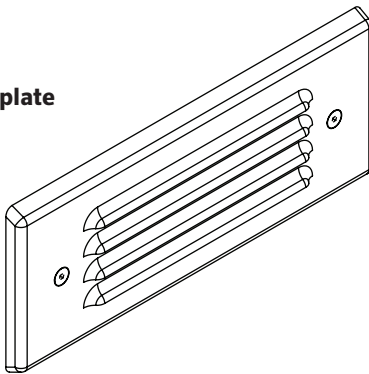
We have developed this series of field installation guidelines to assist you in correctly installing fixtures and transformers, ensuring customer satisfaction and trouble-free service. If you have any questions, please call your local distributor or the FX TechLine at 800-733-2823 before proceeding. Follow all NEC guidelines and local electrical codes. For more information, visit: [fxl.com](http://fxl.com)

## PARTS LIST:

**3 preassembled parts**  
sleeve, body, lamp housing



**Faceplate**



**Hardware Included:**

- 2 wire nuts
- 2 flathead allen screws (faceplate mounting hardware)
- Allen wrench

## TOOLS NEEDED FOR INSTALLATION:

## SPECS:

- Flathead screwdriver (non-electric)
- Phillips screwdriver (non-electric)

**Trim colors available:**

Metal: Copper, Nickel Plate

Trim size: 3.5" x 9"

Body: 2.375" x 8.125" x 2.375"

Sleeve: 2.625" x 8.375" x 4"

Lamp Type: Xenon

Max Lamp: 10 Watt x 2 lamps (20 W) ~ 12 Volt



**Note: Hand tighten only.  
Do not use power tools**



# INSTALL NOTES: ASSEMBLY

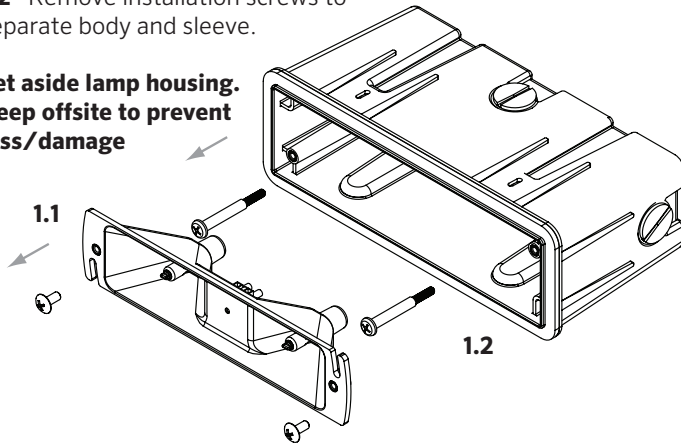
## INSTALLATION GUIDELINES:

### STEP 1: Prepare for installation

**1.1** Remove slotted screws. Pull out lamp housing to expose 2 installation screws.

**1.2** Remove installation screws to separate body and sleeve.

**Set aside lamp housing. Keep offsite to prevent loss/damage**

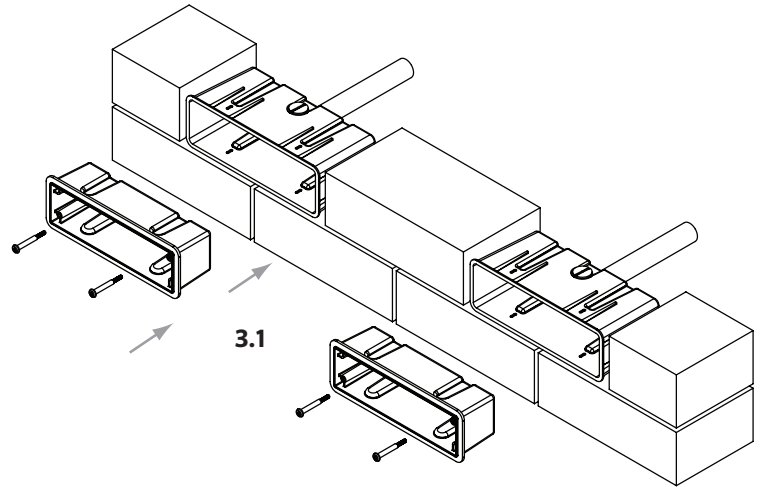
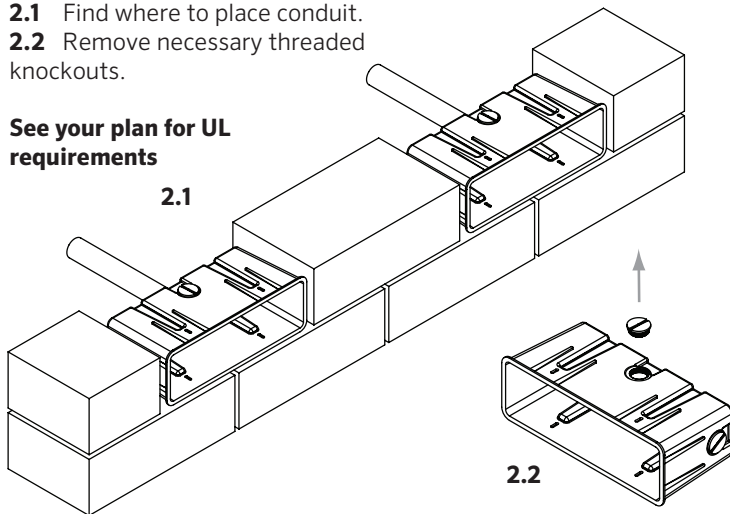


### STEP 2: Determine electricity location

**2.1** Find where to place conduit.

**2.2** Remove necessary threaded knockouts.

**See your plan for UL requirements**



### STEP 3: Install mounting box

**3.1** Slide body inside sleeve, making the front of the box flush with the wall. (see two Axes benefits.) Attach with 2 installation screws.

#### Benefits of removable housing:

Easy-to-remove box for potential problems prevents having to cut into the wall for repairs.

## ADDITIONAL BENEFITS:

**What if it shorts out?** You can redo the wire without having to remove the sleeve from the wall.

**What if I need to replace a lamp?** Remove only the faceplate, then pull the lamp out of the socket, replace, screw in the faceplate.

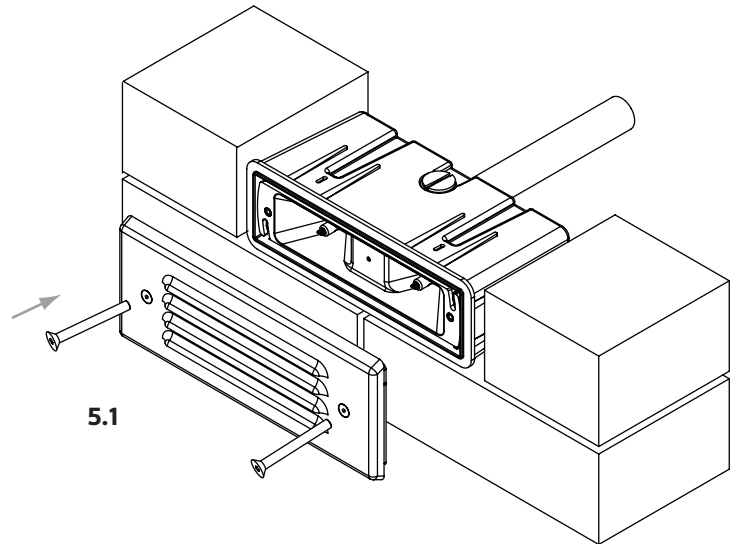
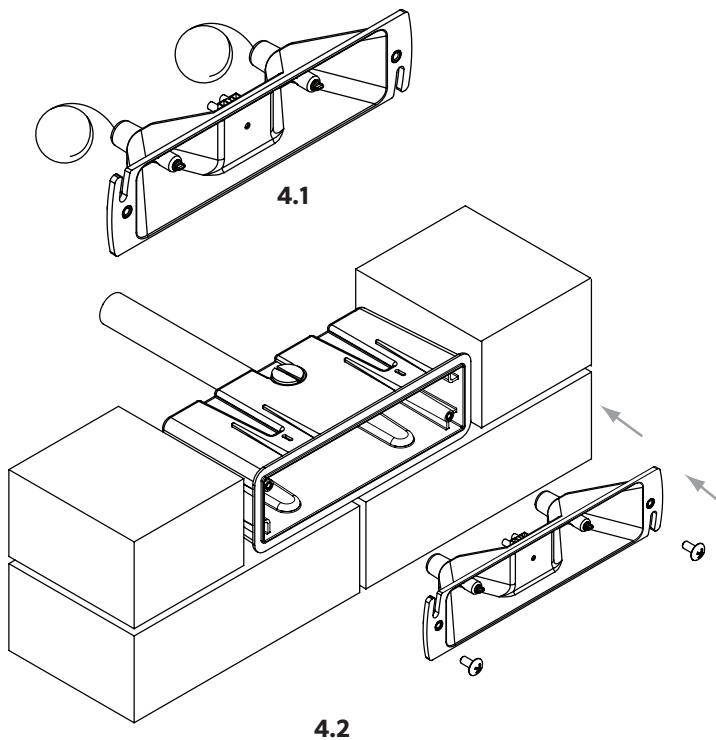
**What if it rains, snows, or I live in the desert?** All of our components are weather resistant.

**What if I want a different color faceplate in the future?** Visit your FX distributor, and buy any color you want, remove the old and attach the new.

## STEP 4: Install lamp housing

**4.1** Wire the lamp leaving service loop, but use all available wire. Coil wire then insert into body.

**4.2** Screw the lamp housing into body.  
(see LevelX<sup>®</sup> benefits)



## STEP 5: Attach faceplate

Patina the copper faceplate, if desired, before attaching. Do this on a drop cloth away from the finished wall. See [fxl.com/learning/patina.htm](http://fxl.com/learning/patina.htm) for instructions.

**5.1** Attach faceplate to reflector.  
Screw faceplate down until it makes a seal.

**Now you have a perfectly level, easy to access WallLite.**

## TWO AXIS BENEFIT:

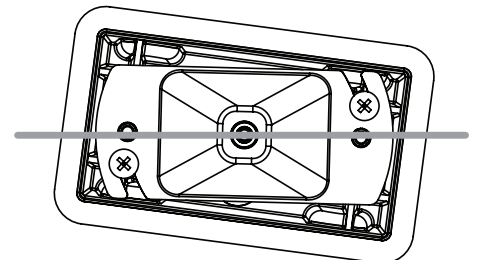
Adjustable on two axes. First axis moves forward and back with the ability to pull the body forward if the housing is set too deep.

Second axis rotates up and down with the patented LevelX<sup>®</sup> System. (See LevelX<sup>®</sup> benefits)

## LEVELX BENEFITS:

The Patent Pending LevelX<sup>®</sup> system allows the composite sleeve to be up to 3/8" out of level in either direction, while still allowing the faceplate to be laser level.

The trim attaches to the adjustable reflector assembly, not the composite sleeve or body. Heavy foam gasket keeps light spill to a minimum.



# INSTALL NOTES: **SYSTEM LAYOUT**

We have developed this series of field installation guidelines to assist you in correctly installing fixtures and transformers, ensuring customer satisfaction and trouble-free service. If you have any questions, please call your local distributor or the FX TechLine at 800-733-2823 before proceeding. Follow all NEC guidelines and local electrical codes. For more information, visit: [fxl.com](http://fxl.com)

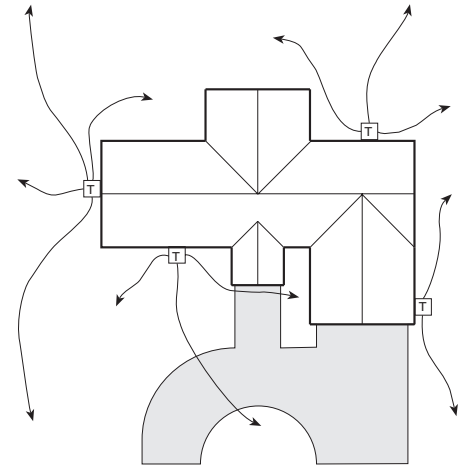
## TRANSFORMERS

### Single Transformer

When using only one transformer, it is very important to center the transformer on the wattage load. If the project calls for 135 watts in both front and back yard, the transformer should be centered on the side of the house that will receive the most lighting. A common mistake is to locate the single transformer on the service side of the house or in the garage, which might result in excessively long cable runs to reach lighted areas. The primary goal in laying out low voltage systems is to minimize cable runs because of voltage drop.

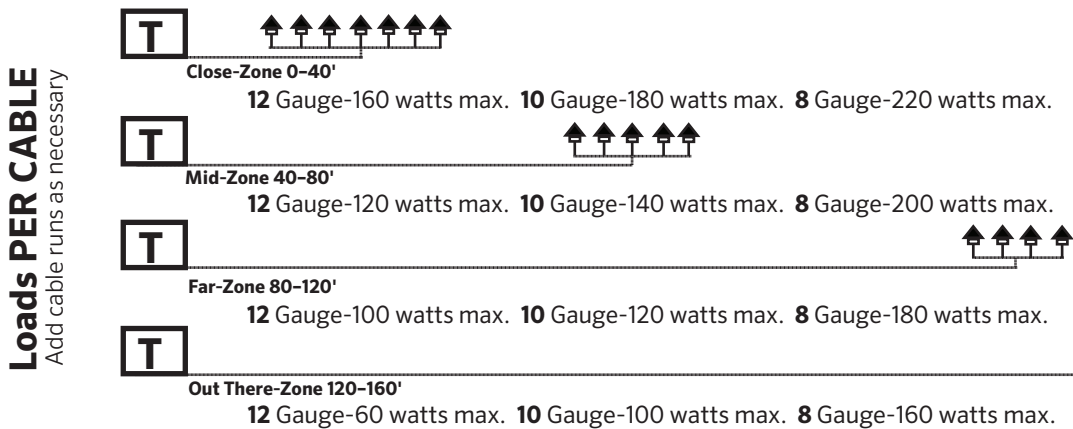
### Multiple Transformers

A common mistake in laying out multiple transformer circuits is to group several transformers in one location because of utility or visual considerations only. As with any low voltage layout, the prime directive should be to locate the transformers as close to the fixtures as possible in order to minimize cable runs. The other multi-transformer layout consideration is “use zoning”. Having several transformers allows the client to selectively control light in separate areas. This approach is similar to irrigation design in that the goal is to individually control areas that have similar needs. In lighting, a recreation area has different lighting needs than does a front entry. Therefore, the lights that serve these different lighting use areas need to be on separate transformers and switch controls.



Sample diagram of home with transformer and lamp placement

## CIRCUITING GUIDELINES



## LED LIFE

- Lamp life is rated in hours of operation. If lamps are rated for 4,000 hours at 12 volts it means that at 4,000 hours, 50% of the lamps are still working and 50% are not.
- For maximum light output, tune lighting circuits to provide between 11.5 and 12.0 volts as measured at lamp terminals when all of the lamps on the circuit are operating.
- For longer lamp life, adjust voltage down so lamps receive between 10.5 and 11.5 volts at the lamp terminals.
- Voltage can be regulated by adjusting circuit load/run.
- To determine circuit voltage, use a digital voltmeter.

Volts at Lamp	Lamp Life of Rated	Lumen Output of Rated
13.0*	50%	350%
12.5*	75%	175%
<b>12.0</b>	<b>100%</b>	<b>100%</b>
11.5	200%	80%
11.0	300%	75%
10.5	500%	65%
10.0	900%	50%

\* This voltage is not recommended