

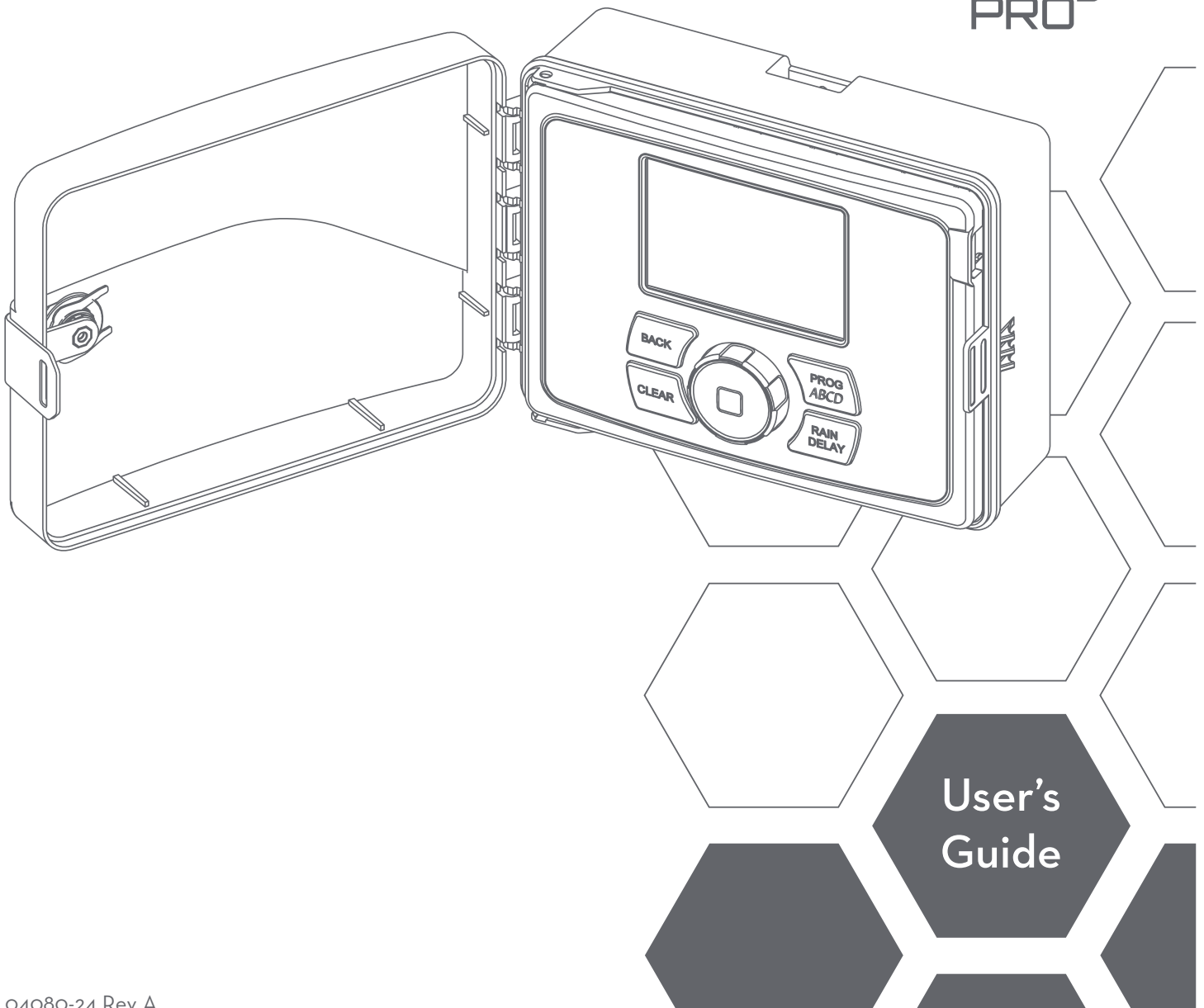
HYDRO·RAIN®

Welcome to the

HRC 400

Smart Wi-Fi Sprinkler Controller

Powered by
b·hyve®
PRO



FOR OPTIMUM CONTROLLER PERFORMANCE, CONNECT TO WI-FI TO RECEIVE THE LATEST CONTROLLER UPDATES.

Help

hydrorain.com
bhyve.hydrorain.com

Table of Contents

Parts

Sprinkler Controller	2
Manual Controls	2
Digital Display	3
B-hyve Pro App.....	3

Installation

Selecting a Location.....	4
Mounting the Controller	4
Wiring the Sprinkler Valves	5
Wiring the B-hyve Controller.....	5
Connecting Electrical Power.....	6
Activating Battery	6
Replacing the Battery.....	7

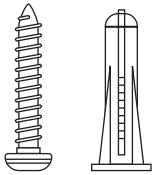
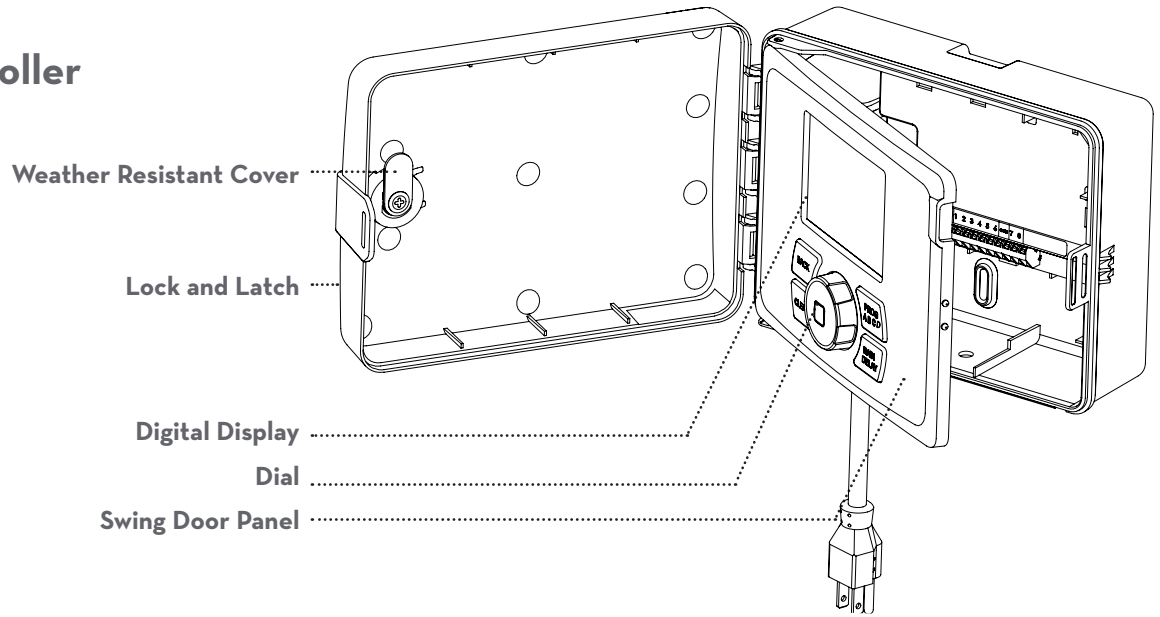
Programming

Connecting to Wi-Fi	7
Program Button (PROG ABCD)	8
Date/Time	8
Start Time.....	9
Run Time	9
How Often	10
Auto	11

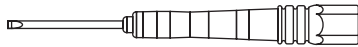
Additional Features

Rain Delay	11
Budget.....	11
Manual.....	11
Rain Sensor	12
Pump Start & Master Valve	12
Term Definition	12
Troubleshooting.....	13
Specifications.....	14

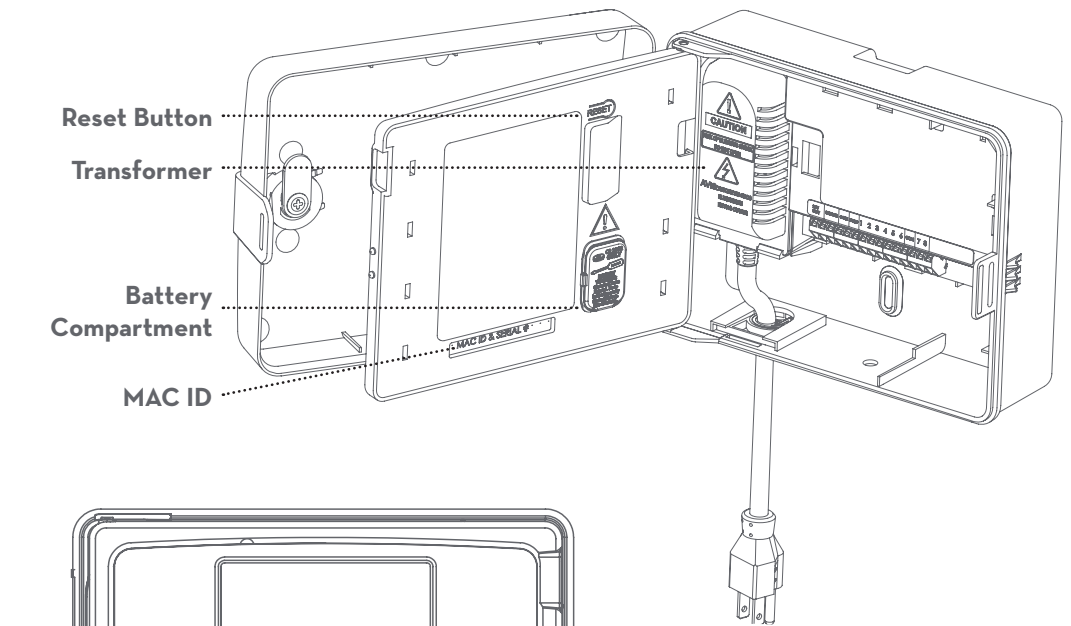
Parts Sprinkler Controller



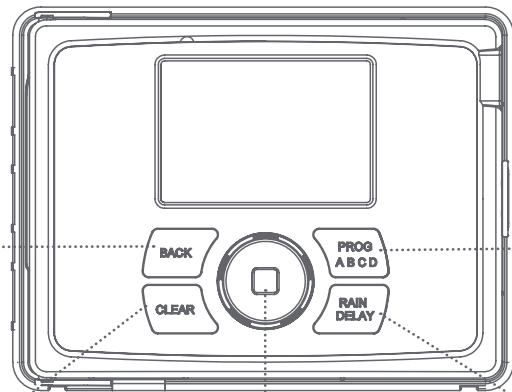
Installation Hardware



Size O Screwdriver



Manual Controls



BACK:

To go back a step or return to main menu

Note: BACK can be pushed twice to return to auto.

CLEAR:

To clear a setting

Note: The CLEAR button may also be used to cancel Rain Delay, cancel a running program or cancel a manual watering cycle.

DIAL:

Navigate up or down, left or right, and push to make a selection

Note: If the dial selection is left in any position other than OFF, it will revert back to AUTO after approximately 20 seconds.

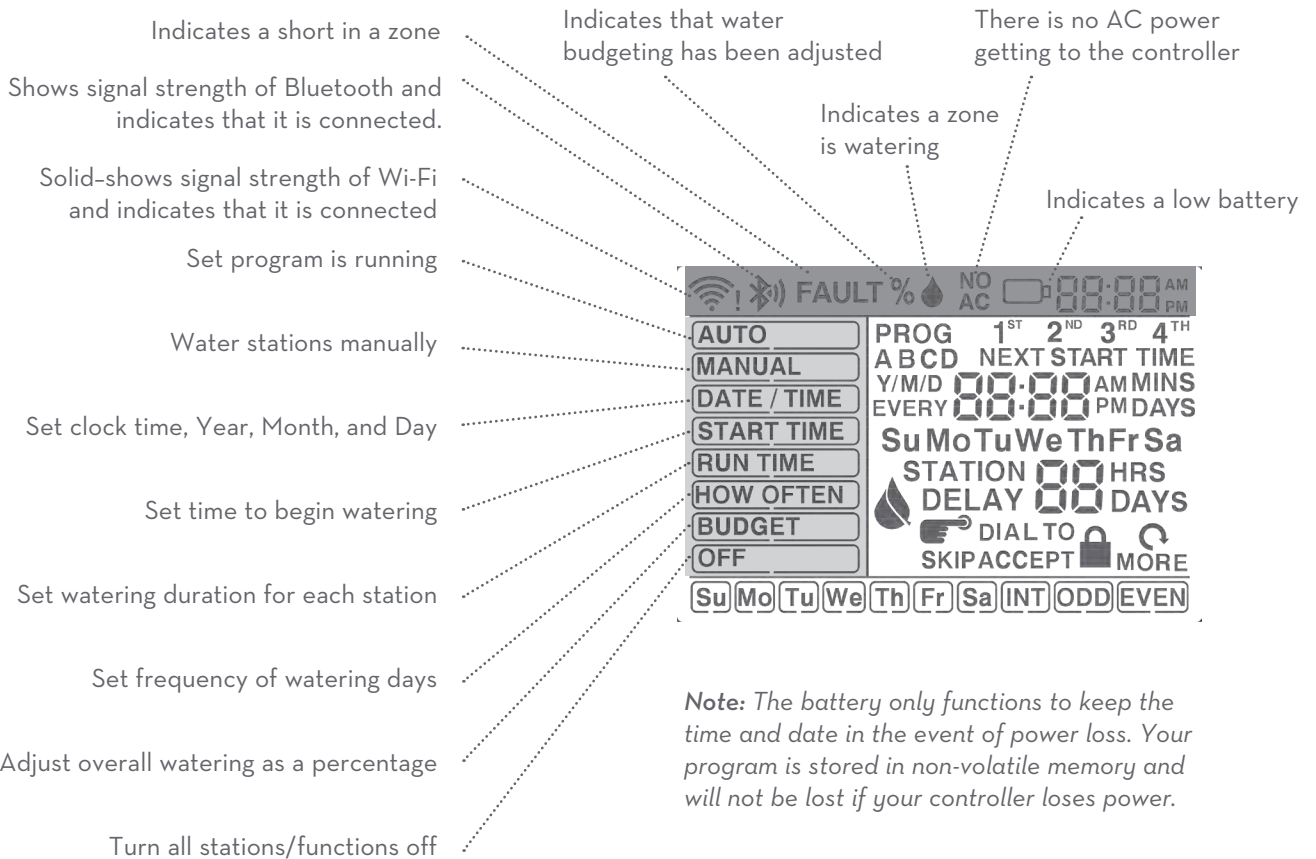
PROG ABCD:

To move to a different program
See page 8

RAIN DELAY:

To pause operation due to rain or other factors
See page 11

Digital Display



Note: The battery only functions to keep the time and date in the event of power loss. Your program is stored in non-volatile memory and will not be lost if your controller loses power.

B-hyve Pro App

You will need to Install the B-hyve Pro app and create an account on your smart device after the Controller is installed.

Note: The app will guide you through initial set up of your sprinkler Controller. There are help icons throughout the app with more information and useful tips.



Installation

Selecting a Location

When choosing a location for your Controller, consider the following:

- Choose a location near an electrical outlet.
- Locate it where there is a good Wi-Fi signal.

Tip: You can check this using a smart phone. (Find a location that has a minimum of two bars.)

- Ensure operating temperatures are not below 32° or above 158° F (below 0° or above 70° C).
- Place it away from direct sunlight.
- Make sure there is 9" of space to the left of the sprinkler controller box, this allows the door to swing open after installation.
- There needs to be easy access to sprinkler wires (from valves).



Minimum Signal

Important: Controller is weather-resistant to UL-50 and ETL® Listings, but should not be placed in areas where continuous water could cause damage.

Tip: If replacing a controller, it is helpful to take a photo of the wires before you remove them from the old controller.

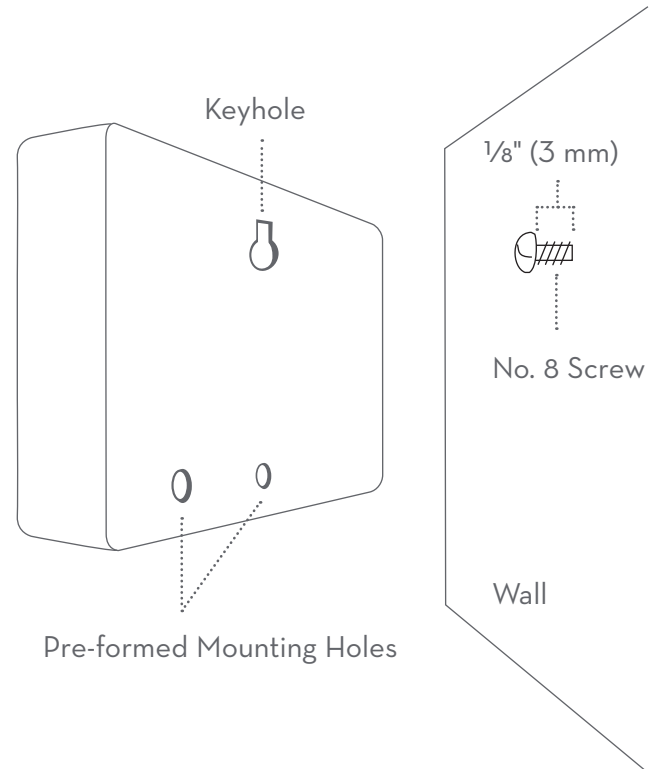
Mounting the Controller

Required Tools

- Small Flathead Screwdriver (included in hardware package)
- Wire Strippers
- Drill with 3/16" (4.8 mm) drill bit
- Level

Tip: Use the expanding anchors (included) for plaster, masonry or drywall installations.

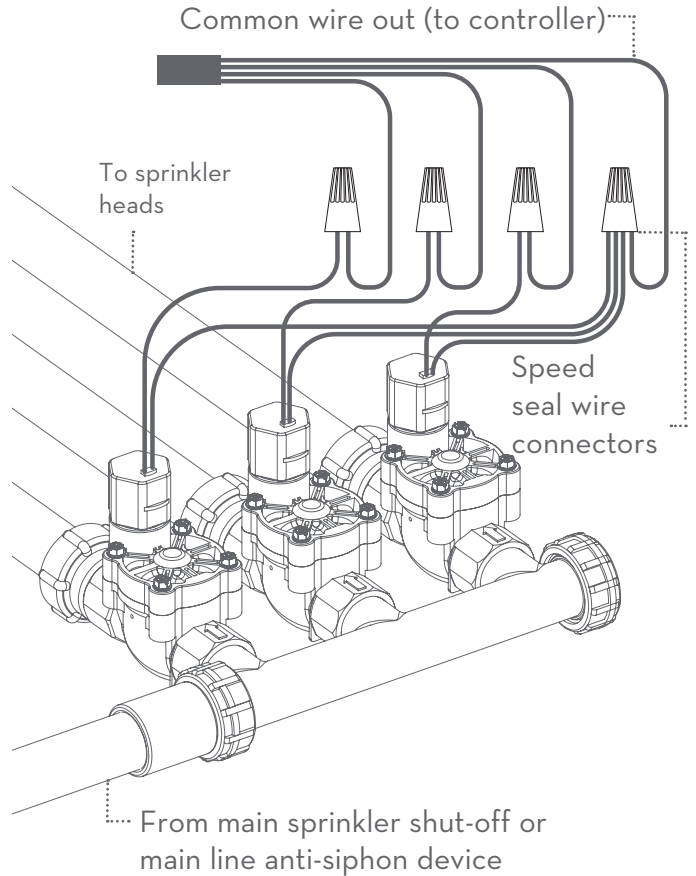
1. Install a No. 8 screw (included) into the wall, leaving the screw head protruding 1/8" (3 mm) from the wall.
2. Hang the controller on the installed screw using the keyhole slot located in upper back cabinet.
3. Level the controller and install the second screw in one of the pre-formed mounting holes located on lower back cabinet to secure the controller.



Wiring the Sprinkler Valves

1. Strip 1/2" (13 mm) of plastic insulation off the end of each wire for both the valve and sprinkler controller wires.
 2. Connect one wire from each solenoid to a single "Common" (COM) sprinkler wire (usually white).
- Tip:** It doesn't matter which solenoid wire you connect to the common sprinkler wire, as long as each solenoid is connected.
3. Connect each of the remaining solenoid wires to a colored sprinkler wire.

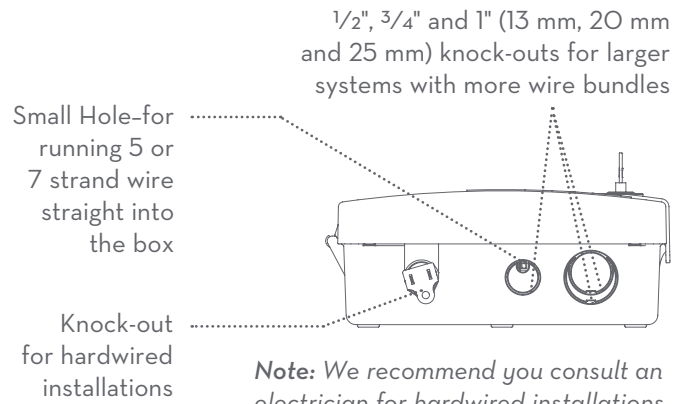
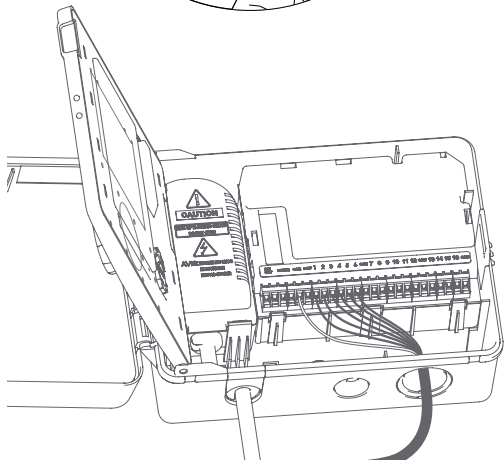
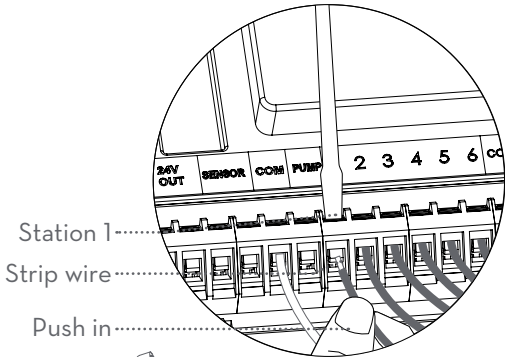
Note: If the distance between the controller and solenoid is under 700' (210 m), use 20 gauge (AWG) wire. If the distance is over 700' (210 m), use 16 gauge (AWG) wire.



Important: All wires should be joined together using wire nuts, solder, and/or vinyl tape. In wet environments like a valve box it is recommended to use Hydro-Rain Speed Seal™ wire connectors to prevent corrosion of the connection and for protection from water infiltration.

Important: The wire can be buried in the ground; however, for more protection wires can be pulled through PVC pipe and buried underground. Be careful to avoid burying the wires in locations where they could be damaged by digging or trenching in the future.

Wiring the Controller



1. Strip 1/2" (13 mm) of plastic insulation off the end of each wire.
2. Loosen screws on terminal.
3. Push common wire into the common terminal. Using the included screwdriver, tighten the screw in the wire terminal to secure the wire.
4. Insert and tighten remaining wires to corresponding terminal locations

⚠ WARNING: To avoid electrical hazards, only one valve should be connected to each terminal (station).

Important: The maximum loading for each station/pump is 250mA, the maximum loading for the controller is 500mA.

Connecting Electrical Power

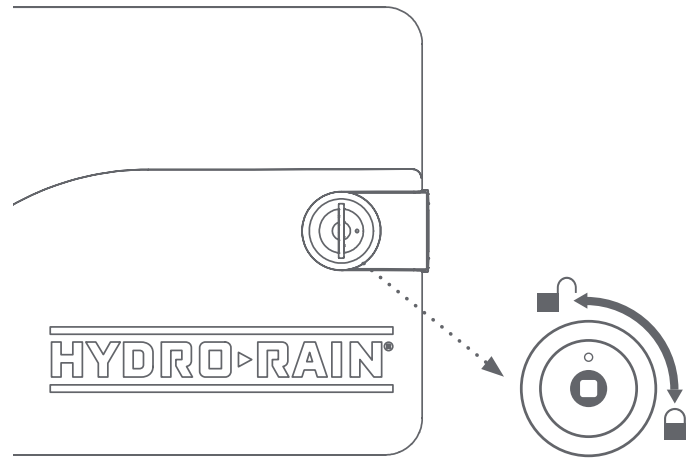
Once your HRC 400 Controller is plugged into the power source, it will automatically look to pair with your smart device. In the top left corner of the controller display the Wi-Fi icon will begin a graduated blinking sequence. This indicates that your Controller is ready to pair with a smart device. See page 7 for details on how to pair Controller.

If mounted in an outdoor location, shut the compartment door to keep the Controller safe from weather damage.

Indoor Locations—Insert the power cord into an 110V electrical outlet.

Outdoor Locations—Insert the power cord into a 110 volt Ground Fault Interrupter (GFI) outlet.

Important: We recommend you consult an electrician for hardwired installations.



Activating Battery

- Controller includes one Lithium CR2032 battery.
- The battery will maintain your time and date in case of an AC power loss.
- Annual replacement is recommended to avoid loss of programming.

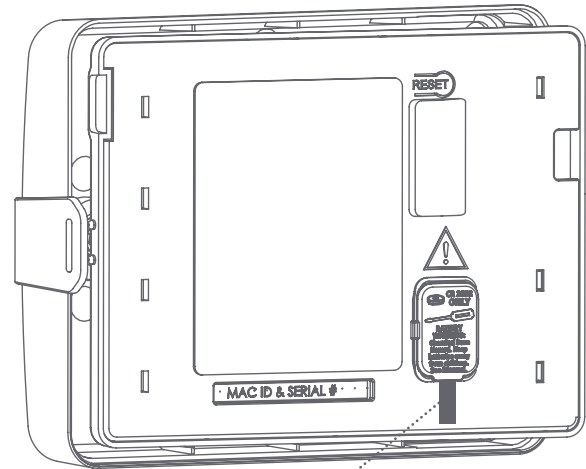
Note: The battery alone will not operate the valves in your sprinkler system. The sprinkler controller has a built-in transformer that must be connected to an AC voltage source.

⚠ WARNING: Risk of Fire, Explosion, and Electric Shock. Replace battery with Hitachi Maxell Ltd, Type CR2032 only. Use of a different battery has the potential for a risk of fire, explosion, and electric shock.

⚠ WARNING: Chemical Burn Hazard. Keep batteries away from children

⚠ WARNING: This product contains a lithium button/coin cell battery. If a new or used lithium button/coin cell battery is swallowed or enters the body, it can cause severe internal burns and can lead to death in as little as 2 hours. Always completely secure the battery compartment. If the battery compartment does not close securely, stop using the product, remove the batteries, and keep it away from children. If you think batteries might have been swallowed or placed inside any part of the body, seek immediate medical attention.

Even used cells may cause injury.



Remove plastic strip to activate battery

Replacing the Battery

- Use a screwdriver under the designated tab to lift and remove the battery cover.
- To remove the battery, lift on the edge of the coin cell battery using your fingers. DO NOT use a screwdriver or other metal object.
- Insert a new CR2032 battery at an angle and press to click the battery into place.
- Verify that the + side is up.
- Reinstall the battery cover.

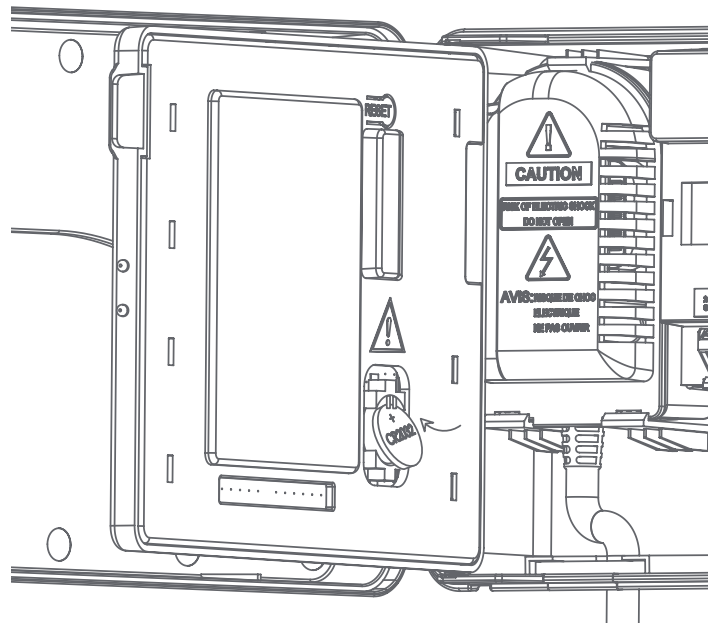
Note: A weak or missing battery can cause the time and date to be erased after a power failure. If this happens, you will need to install a fully charged battery.

Important: If, for any reason, your program is lost, the factory installed fail-safe program will turn on each station every day for 10 minutes

⚠ WARNING: The controller must be disconnected from the supply mains when removing the battery.

⚠ WARNING: Danger of explosion if battery is incorrectly replaced. Replace only with the same or equivalent type recommended by the manufacturer. Dispose of used batteries according to the manufacturer's instructions.

Note: Battery should be disposed of properly.



Programming Connecting to Wi-Fi

• Plug in the HRC 400 controller

Once the controller is plugged into the power source, it will automatically look to pair with your smart device. In the top left corner of the controller screen the “Bluetooth” icon will flash with a graduated blinking sequence. This indicates that the controller is ready to pair with a smart device.

• Connect to your Orbit® HRC 400 controller

Open your B-hyve Pro app, create an account or login, and follow the step-by-step instructions in the app to pair and set up your device. When the app prompts you to connect to a Wi-Fi network, select the network from the list and enter the password. When connected, the Wi-Fi icon on the controller will stop blinking and show solid lines, indicating the signal strength.

Note: If you do not see your network name in the list, tap the refresh button in the app. If your network name still does not appear, tap “Advanced” in the app and enter your network name and password. This device will only connect through 2.4 GHz Wi-Fi networks. 5.0 GHz networks are not supported and will not appear in your app.

Tip: You can re-pair your smart device with your controller by turning the dial to “Off” and pressing the reset button on the back of the swing panel. The controller display will show “Pair.”

Note: Press the Reset tab on the back of the swing panel to clear any previous factory programming.

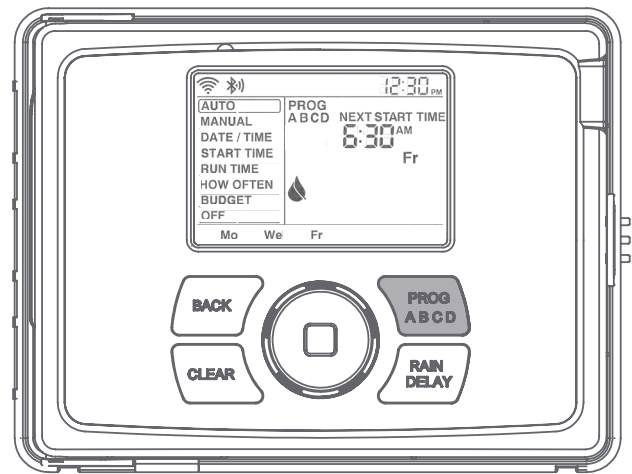
Program Button (ABCD)

Your sprinkler controller provides the flexibility of using 4 independent programs (A,B,C,D). A program is where you store all of your sprinkler settings. It consists of a group of valves set to specific start times and run times. Multiple programs allow you to run different valves on different days with different run times. While many applications only require one program (A), using multiple programs can be useful for drip areas, newly planted lawn, or commercial applications. Using programs to group stations with similar water needs will maximize irrigation efficiency.

For example: you could set your lawn zones to run on program A, your flowerbeds to run on program B and your garden to run on program C. Or, you can use smart watering. The controller will use local weather and on-site information to automatically set a watering schedule for you.

The PROG ABCD button toggles between programs when setting up or modifying start times, run times, how often, and budget.

Press PROG ABCD to turn on or off programs that have been set-up. A, B, C, D, or the leaf-drop icon will illuminate to show which programs are active and will water. When watering in smart mode the leaf drop icon will show on the display.



Note: If you do not see the program letter (A, B, C, D, or leaf-drop) in the display, that program will not water. Press PROG ABCD until you see the program(s) that you wish to water.

Note: Always be aware of the program you are in (A, B, C, or D) when you are making changes.

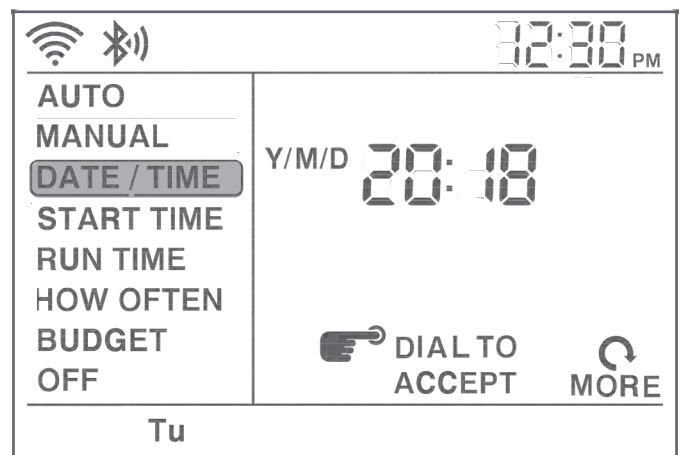
Date/Time

If you are connected to Wi-Fi, the time and date will automatically be sent to the sprinkler controller. To set the date and time manually follow these instructions:

1. Turn the dial until the selection box is on DATE/TIME.
2. Press the dial. You will now see the Y (Year) flashing.
3. Turn the dial until the current year is displayed.
4. Press the dial to confirm the year. You will now see the M (Month) flashing.
5. Repeat steps 3 & 4 to enter the month and day.
6. After the day is confirmed, the time will start flashing.
7. Turn the dial until the current hour is displayed.

Note: Continue turning the dial to go between am and pm. It is important to verify that the am or pm selection is set correctly.

8. Press the dial to confirm the hour.
9. Repeat steps 7 & 8 for the minutes. Your Date and Time are now set.



Start Time

This is the time of day that your programmed watering starts, the first zone will begin watering at the 1st start time. You can set up to 4 start times. When a start time is set before the previous program has completed, that start time will be delayed, and will start upon completion of the previous program.

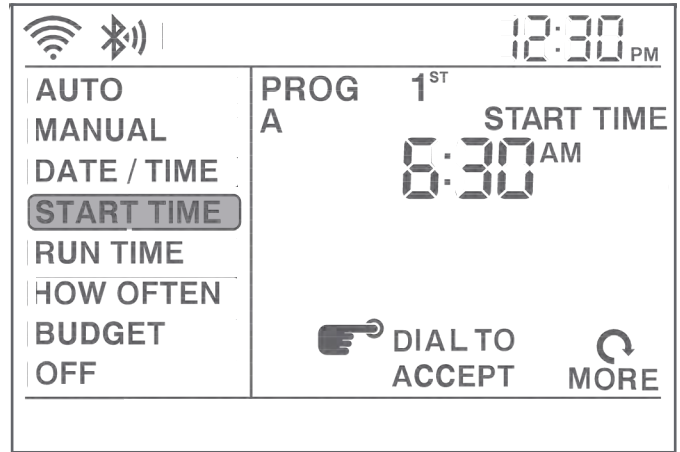
Tip: Only one start time is needed to run all of your zones.

1. Turn the dial until the selection box is on START TIME.
2. Press the dial. You will now see the hour dashes (--) flashing.
3. Turn the dial until the desired start time hour is reached.

Note: Continue turning the dial to go between am and pm.

4. Press the dial to confirm the start time hour. You will now see the minute dashes (--) flashing.
5. Turn the dial until the desired start time minutes are displayed.
6. Press the dial to confirm the start time minutes.

Note: After pressing the dial, the controller will automatically advance to the 2nd start time. If additional start times are needed, repeat this process. Additional start times are helpful to avoid run off and allow time for the soil to absorb the water.



Example: Bill just planted new grass seed and wants to water three times per day. He sets START TIME 1 for 5 am, START TIME 2 for 12 pm, and START TIME 3 for 5 pm. He also sets HOW OFTEN to INT (interval) EVERY 1 DAYS (see section 3, HOW OFTEN). In AUTO mode the system will water 3 times per day. Once Bill's sod is established he can CLEAR start times 2 and 3 and return to watering just once per day.

- Press PROG ABCD to set up start times for additional programs and repeat the above steps.

Run Time

This is where you will set up how long of a watering duration each station will run. The station is the area or zone that will be watered by each valve.

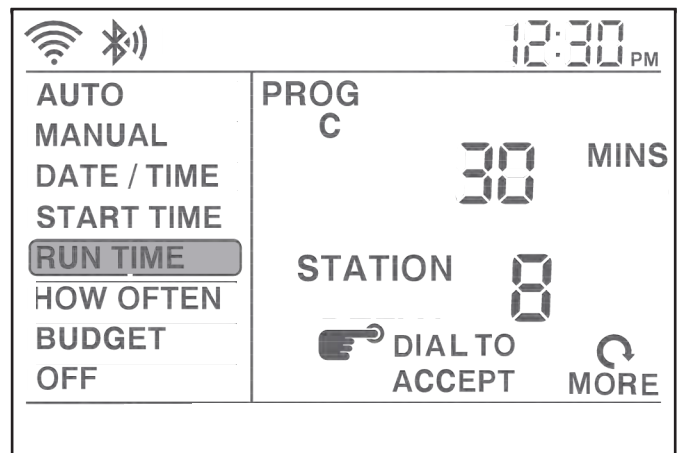
1. Turn the dial until the selection box is on RUN TIME.
2. Press the dial. You will now see the STATION number flashing.
3. Turn the dial until the zone number you want to program is reached.
4. Press the dial to confirm the zone. You will now see the MINS flashing.
5. Turn the dial until the desired duration for that zone is reached.
6. Press the dial to confirm the duration run time.

Note: Your controller will automatically advance to the next station and the MINS will be flashing.

7. Repeat steps 5 & 6 for each zone you wish to set up.
8. Press BACK to return to the main menu.

- If you wish to set-up zones in different programs (A, B, C, or D), press the PROG ABCD button until the desired program is displayed and repeat the steps.

Note: Press the BACK button to return to the main menu.



How Often

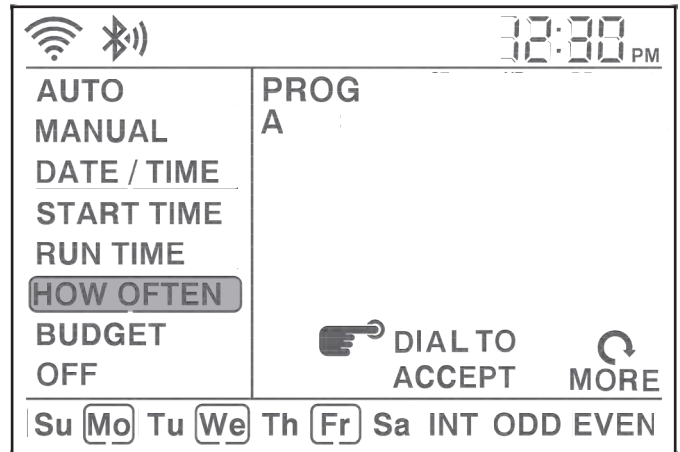
There are three options when determining how often (what days or intervals) the controller will water.

- Days of the week (Mon, Tues, Wed, etc.)
- Intervals (Every "X" number of days)
- Odd or Even Days

Days of the Week

1. Turn dial until the selection box is on HOW OFTEN.
2. Press the dial. You will now see Su (Sunday) flashing.
3. Turn the dial until your desired day of the week is flashing.
4. Press the dial to confirm your selection and a frame will appear around the selected day.
5. Repeat this process until all of the desired watering days have a box around them.
6. Press BACK to return to the main menu.
7. Turn the dial to Auto and press the dial to select. You have programmed your controller!

- To remove a previously entered day, turn the dial to the day and press the dial to de-select the day.
- If you wish to erase all watering days, press the CLEAR button.

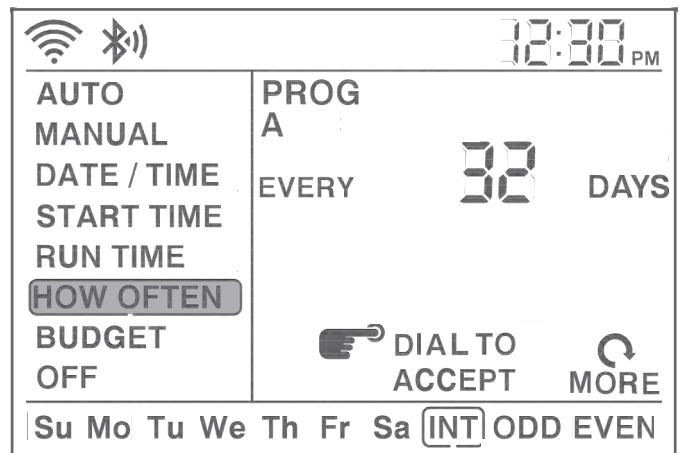


Intervals

1. Turn dial until the selection box is on HOW OFTEN.
2. Press the dial. You will now see Su (Sunday) flashing.
3. Turn the dial to INT.
4. Press the dial to confirm. A frame will appear around INT and EVERY 1 DAYS will appear in the display. 1 will be flashing and is the default interval.
5. Turn the dial to increase the number, press the dial when your desired number of days between waterings is reached.

Example: An interval of 1 will water every day; an interval of 3 will water every 3rd day, etc.

6. Press BACK to return to the main menu.
7. Turn the dial to Auto and press the dial to select. You have programmed your controller!



Odd or Even Days

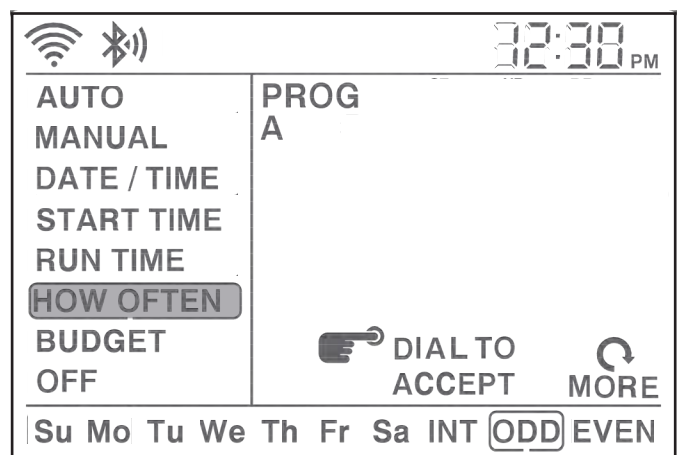
1. Turn dial until the selection box is on HOW OFTEN.
2. Press the dial. You will now see Su (Sunday) flashing.
3. Turn the dial to ODD or EVEN.

Press the dial to confirm. A frame will appear around ODD or EVEN.

Example: Odd: 1st, 3rd, 5th, etc.

Example: Even: 2nd, 4th, 6th, etc.

4. Press BACK to return to the main menu.
5. Turn the dial to Auto and press the dial to select. You have programmed your controller!



Auto

The controller should be in AUTO during the irrigation season and OFF in the winter months or the non-irrigation months.

Turn the dial to the AUTO position and press the dial or just leave it there to keep it in AUTO.

If the dial selection is left in any position other than OFF, it will revert back to AUTO after approximately 20 seconds.

To turn your controller OFF, turn the dial to OFF and press the dial or just leave it in the OFF position.

Tip: You can change it to off or auto in the APP.

Additional Features

Rain-Delay

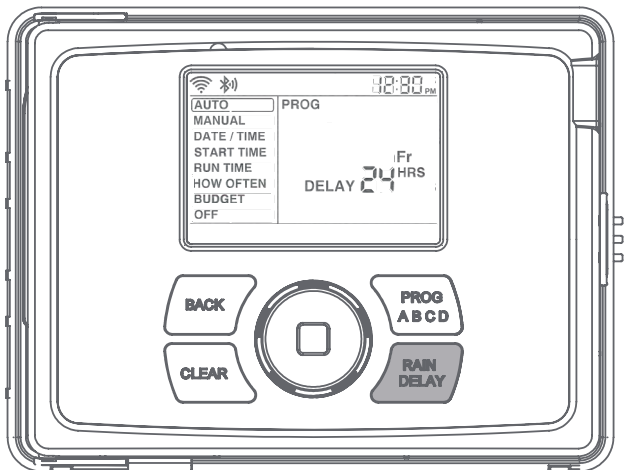
The Rain Delay button can be used to delay your sprinkler controller from watering for a duration of 1 to 32 days. At the end of the selected rain delay amount of time, automatic watering resumes.

1. Make sure the controller is set to AUTO.
2. Press the Rain Delay button to automatically delay watering for 24 hours.

Note: If a longer Rain Delay is desired, press the rain delay button repeatedly or turn the dial until the desired number of delayed days is reached.

- While in rain delay mode, the controller will display the number of remaining rain delay days or hours.
- To cancel a rain delay, press the CLEAR button and the watering schedule will resume.
- To activate or deactivate the rain sensor terminals, press and hold the RAIN DELAY button for 5 seconds.

Note: This feature is helpful for bypassing the sensor if watering is needed before the sensor is dry and watering is resumed.



Budget

The water budgeting feature makes it easy to change all of your run times without having to change them one by one. This is perfect for adjusting all zones for seasonal changes.

Adjustment range is from 10% to 200% by increments of 10%. The default value is 100%, which means your controller will run each zone for exactly the number of minutes you entered as the run time. The budgeting will remain at the adjusted range until you change it.

1. Turn the dial until the selection box is on budget.
2. Press the dial. You will now see numbers flashing.
Note: 100 is the default number.
3. To adjust, turn the dial to the desired budget percentage. Adjusting budget will adjust all of the run times in a program by the percentage chosen.

Example: If you have zones set up to water for 10 minutes and you adjust your budget from 100% to 150%, those same zones will water for 15 minutes without having to change each run time.

4. Press the dial to confirm your selection. If you are setting up additional programs (A, B, C, or D), press the PROG ABCD button until the desired program is displayed and repeat this process.

Manual

Your controller has the ability to allow you to manually water without disturbing the preset program. Manual is used to test zones or to run an extra cycle for a zone, program, or for all zones.

To water all zones

1. Turn the dial until the selection box is on Manual.
2. Press the dial. You will now see ALL in the display.
3. Press the dial again. You will now see 0 flashing.
4. Turn the dial until the desired manual duration is reached.
5. Press the dial to begin watering.

Note: If the manual run time has not been set, the controller will not initiate manual watering and the screen will return to the current time.

To water a specific program(s)—A, B, C, or D

1. Turn the dial until the selection box is on MANUAL.
2. Press the dial. You will now see ALL show in the display.
3. Turn the dial until the program(s) you wish to water is showing (all ABCD, or A, B, C, or D individually).
4. Press the dial to begin watering the selected program.

To water a specific zone

1. Turn the dial until the selection box is on MANUAL.
2. Press the dial. You will now see ALL show in the display.
3. Turn the dial past the A, B, C, D programs until STATION 1. Press the dial. You will see 0 and MINS appear in the display.
4. Turn the dial until the station you want to run appears in the display.
5. Press the dial. The 0 will flash once.
6. Turn the dial until the number of minutes you want to run the station appears.
7. Press the dial to begin watering the specified program.

Example: To manually water on zone 3 for five minutes, turn the dial to [MANUAL] then press the dial. Turn the dial until you see station 6 or 12, press the dial and turn it until you see station 3, then press the dial again. Turn the dial until five minutes shows in the display then press the dial.

Note: While your programmed manual station is running, you can program more than one specific zone using this process. Repeat the steps for zone selection and duration to water additional zones.

To stop manual watering press CLEAR.

Rain Sensor

Connect the rain sensor wires to the wiring terminal ports labeled "Sensor".

Note: Refer to your rain sensor manual for specific wiring instructions.

Rain Sensor Bypass

This sprinkler controller is equipped with a sensor override "on/off". This is for use during maintenance and repairs, so the sprinkler controller can be operated even if the rain sensor is in active mode. To override the sensor, press and hold the Rain Delay button for 5 seconds.

The display will show SENS and OFF or SENS and ON.

Important: If the rain sensor is "on" and no sensor is connected, the sprinkler controller will not operate. To resume sprinkler controller operation press and hold the Rain Delay button for 5 seconds or reconnect the jumper wire to the sensor terminals.

Pump Start & Master Valve

This sprinkler controller allows a master valve or pump start relay to operate whenever a station is on.

Note: If you are activating a pump from this controller, you must purchase a Pump Start Relay. From the pump start relay (or master valve); connect one wire to the "Pump" terminal and the other wire to the "Common" terminal.

Term Definition

START TIME

The time the program begins watering the first programmed station.

VALVE

Supplies water to a specific station or area. The opening and closing of the valve is accomplished through electrical current supplied by the sprinkler controller.

MASTER VALVE

Typically located at the main water source. Turns on and off water for the entire irrigation system when not in use.

MULTIPLE START TIMES

A controller feature that allows a program to be operated multiple times on the same watering day.

OVERLAPPING PROGRAMS

When a "Start Time" is set for a program before the previous program has completed.

PROGRAM (A, B, C, OR D)

Individual programs as set by the user. Each program operates independently. If one program overlaps the other the programs will be "stacked." After the first program finishes the next program will begin.

RAIN DELAY

A feature that postpones the running of a scheduled watering program for a specific duration.

SOLENOID

The electrical part on an irrigation valve that opens and closes the valve.

SPRINKLER CONTROLLER

A device which instructs the station valves to operate.

STATION

A grouping of sprinklers operated by a single valve which is adjusted by the Controller.

WATERING BUDGETING

Adjusts your overall watering program as a percentage of total watering duration.

Troubleshooting

Problem	Possible cause
One or more valves do not turn on	1. Faulty solenoid connection
	2. Wire damaged or severed
	3. Flow control stem screwed down, shutting valve off
	4. Programming is incorrect
Stations turn on when they are not supposed to	1. Water pressure is too high
	2. More than one start time is programmed
	3. AM/PM is incorrect
One station is stuck on and will not shut off	1. Faulty valve
	2. Particles of dirt or debris stuck in valve
	3. Valve diaphragm faulty
All valves do not turn on	1. Transformer defective or not connected
	2. Programming is incorrect
Controller will not power up	1. Transformer not plugged into a working outlet
Valves continue to turn on and off when they are not programmed	1. More than one start time is programmed with overlapping schedules
	2. Excessive pressure
Display says Fault and flashes a zone number	1. Short in the wire
	2. Short in the solenoid

Specifications

Rated input:

Australia—240V AC 50/60Hz 0.15A

Europe—230V AC 50/60Hz 0.15A

USA—120V AC 60Hz 0.15A

Max load:

AUS & EU - 24V AC 1 Amp 50/60 Cycle

USA—24V AC 750 mA 60Hz

Temperature Operating Range:

Operating: 32-158° F (0-70° C)

Storage & transport: 32-176° F (0-80° C)

Humidity Operating Range:

Operating: 0-80%

Storage & transport: 0-90%

Altitude: 6,500' (2,000 meters)

IPX5 Rating

Installation Class II

Over Voltage Category II

⚠ WARNING: Battery must be removed from the controller before it is scrapped.



Help

If the app and the website don't have what you're looking for, visit our website.

hydrorain.com | bhyve.hydrorain.com

Disconnection: Type 1Y

Normal Pollution Situation.

The supply cord of this control can be replaced only by the manufacturer or his accredited service agent.

Note: This equipment has been tested and found to comply with the limits for a Class B digital device, pursuant to Part 15 of the FCC Rules. These limits are designed to provide reasonable protection against harmful interference in a residential installation. This equipment generates, uses and can radiate radio frequency energy and, if not installed and used in accordance with the instructions, may cause harmful interference to radio communications. However, there is no guarantee that interference will not occur in a particular installation. If this equipment does cause harmful interference to radio or television reception, which can be determined by turning the equipment off and on, the user is encouraged to try to correct the interference by one or more of the following measures:

- Reorient or relocate the receiving antenna.
- Increase the separation between the equipment and receiver.
- Connect the equipment into an outlet on a circuit different from that to which the receiver is connected.
- Consult the dealer or an experienced radio/TV technician for help.

Caution: This appliance is not intended for use by young children or infirm persons without supervision. Young children should be supervised to ensure that they do not play with the appliance.

IMPORTANT INFORMATION ABOUT YOUR RIGHTS AND OBLIGATIONS, AS WELL AS LIMITATIONS AND EXCLUSIONS THAT MAY APPLY TO YOU.

1. YOUR RIGHTS AND THIS LIMITED WARRANTY

This Limited Warranty gives you specific legal rights. You may also have other legal rights that vary by state, province or jurisdiction. The disclaimers, exclusions, and limitations of liability under this Limited Warranty will not apply to the extent prohibited by applicable law. For a full description of your legal rights you should refer to the laws applicable in your jurisdiction and you may wish to contact a relevant consumer advisory service.

2. WHAT THIS LIMITED WARRANTY COVERS; PERIOD OF COVERAGE

Orbit Irrigation Products, Inc. ("Orbit") warrants to the owner of the enclosed product that the product contained in this box ("Product") will be free from defects in materials and workmanship for a period of two (2) years from the date of delivery following the original retail purchase (the "Warranty Period"). If the Product fails to conform to this Limited Warranty during the Warranty Period, Orbit will, at its sole discretion, either (a) repair or replace any defective Product or component; or (b) accept the return of the Product and refund the money actually paid by the original purchaser for the Product. Repair or replacement may be made with a new or refurbished product or components, at Orbit's sole discretion.

If the product or a component incorporated within it is no longer available, Orbit may replace the Product with a similar product of similar function, at Orbit's sole discretion. This is your sole and exclusive remedy for breach of this

Limited Warranty. Any Product that has either been repaired or replaced under this Limited Warranty will be covered by the terms of this Limited

Warranty for the longer of thirty (30) days from the date of delivery or the remaining Warranty Period. This Limited Warranty is transferable from the original purchaser to subsequent owners, but the Warranty Period will not be extended in duration or expanded in coverage for any such transfer.

3. WARRANTY CONDITIONS; HOW TO GET SERVICE IF YOU WANT TO CLAIM UNDER THIS LIMITED WARRANTY

Before being able to claim under this Limited Warranty, the owner of the Product must notify Orbit of the intention to claim by visiting www.orbitonline.com/contact during the Warranty Period and provide a description of the alleged failure, and comply with Orbit's return shipping instructions. Orbit will have no warranty obligations with respect to a returned Product if it determines, in its reasonable discretion after examination of the returned Product, that the Product is an Ineligible Product (defined below). Orbit will bear all costs of return shipping to owner and will reimburse any shipping costs incurred by the owner, except with respect to any Ineligible Product, for which owner will bear all shipping costs.

4. WHAT THIS LIMITED WARRANTY DOES NOT COVER

This warranty does not cover the following (collectively "Ineligible Products"): Products marked as "sample" or sold "AS IS"; or Products that have been subject to: (a) modifications, alterations, tampering, or improper maintenance or repairs; (b) handling, storage, installation, testing, or use not in accordance with instructions provided by Orbit; (c) abuse or misuse of the Product; (d) breakdowns, fluctuations, or interruptions in water supply, electric power or the telecommunications network; or (e) Acts of God, including lightning, flood, tornado, earthquake, or hurricane. This warranty does not cover consumable parts, including batteries, unless damage is due to defects in materials or workmanship of the Product, or software (even if packaged or sold with the product). Orbit recommends that you use only authorized service providers for maintenance or repair. Unauthorized use of the Product or software can impair the Product's performance and may invalidate this Limited Warranty.

Unless explicitly promising a "guarantee," Orbit does not guarantee or promise any specific level of water savings, garden and lawn health, or other benefit from the use of a Product or any feature of it. Actual water savings, garden and lawn health, and other benefits vary with factors beyond Orbit's control or knowledge.

5. DISCLAIMER OF WARRANTIES EXCEPT AS STATED ABOVE IN THIS LIMITED WARRANTY, AND TO THE MAXIMUM EXTENT PERMITTED BY APPLICABLE LAW, ORBIT DISCLAIMS ALL EXPRESS, IMPLIED, AND STATUTORY WARRANTIES AND CONDITIONS WITH RESPECT TO THE PRODUCT, INCLUDING THE IMPLIED WARRANTIES OF MERCHANTABILITY AND FITNESS FOR A PARTICULAR PURPOSE. TO THE MAXIMUM EXTENT PERMITTED BY APPLICABLE LAW, ORBIT ALSO LIMITS THE DURATION OF ANY IMPLIED WARRANTIES OR CONDITIONS TO THE DURATION OF THIS LIMITED WARRANTY.

6. LIMITATION OF DAMAGES IN ADDITION TO THE ABOVE WARRANTY DISCLAIMERS, IN NO EVENT WILL ORBIT BE LIABLE FOR ANY CONSEQUENTIAL, INCIDENTAL, EXEMPLARY, OR SPECIAL DAMAGES, INCLUDING ANY DAMAGES FOR LOST DATA OR LOST PROFITS, ARISING FROM OR RELATING TO THIS LIMITED WARRANTY OR THE PRODUCT, AND ORBIT'S TOTAL CUMULATIVE LIABILITY ARISING FROM OR RELATED TO THIS LIMITED WARRANTY OR THE PRODUCT WILL NOT EXCEED THE AMOUNT ACTUALLY PAID FOR THE PRODUCT BY THE ORIGINAL PURCHASER.

7. LIMITATION OF LIABILITY YOU HAVE THE ABILITY TO USE CERTAIN ORBIT SERVICES ("SERVICES") WITH YOUR PRODUCTS. YOUR USE OF THOSE SERVICES ARE SUBJECT TO SEPARATE TERMS OF SERVICE.

8. VARIATIONS THAT MIGHT APPLY TO THIS LIMITED WARRANTY
Some jurisdictions do not allow limitations on how long an implied warranty lasts or exclusions/limitations on incidental or consequential damages, so some of the limitations set out above may not apply to you.