



PROFESSIONAL
OUTDOOR LIGHTING

Type: _____

Model: _____

Project: _____

SPECIFICATION SHEET

MODEL GS-150 Landscape Series • Accessories • Ground Stake

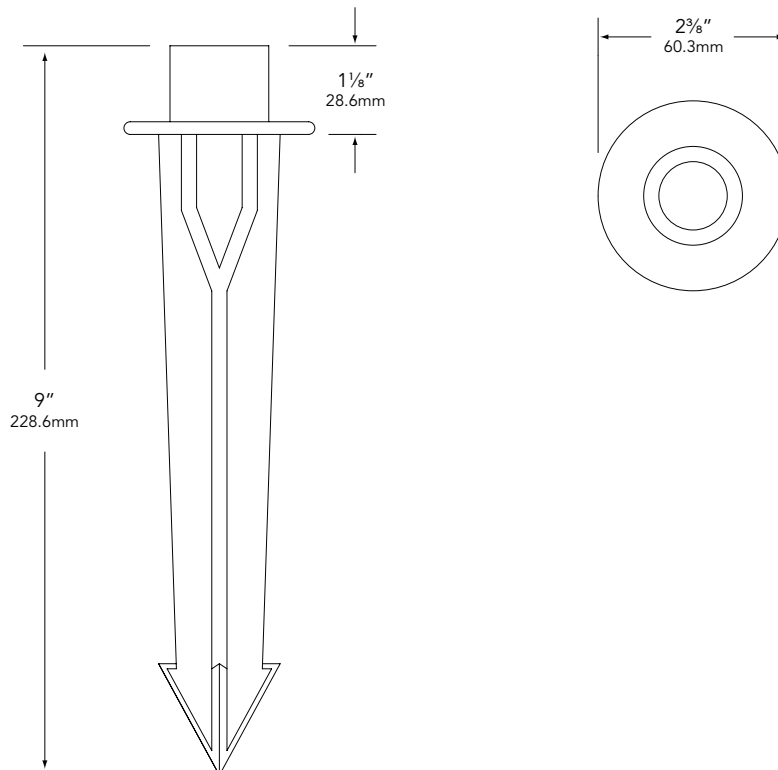
SPECIFICATIONS:

DESCRIPTION:

9" black ABS ground stake with 1/2" FPT for fixture mounting.

All Vista accessories are **MADE IN THE U.S.A.**

DIMENSIONS:



Vista Professional Outdoor Lighting reserves the right to modify the design and/or construction of the fixture shown without further notification.