

3-Way Actuator

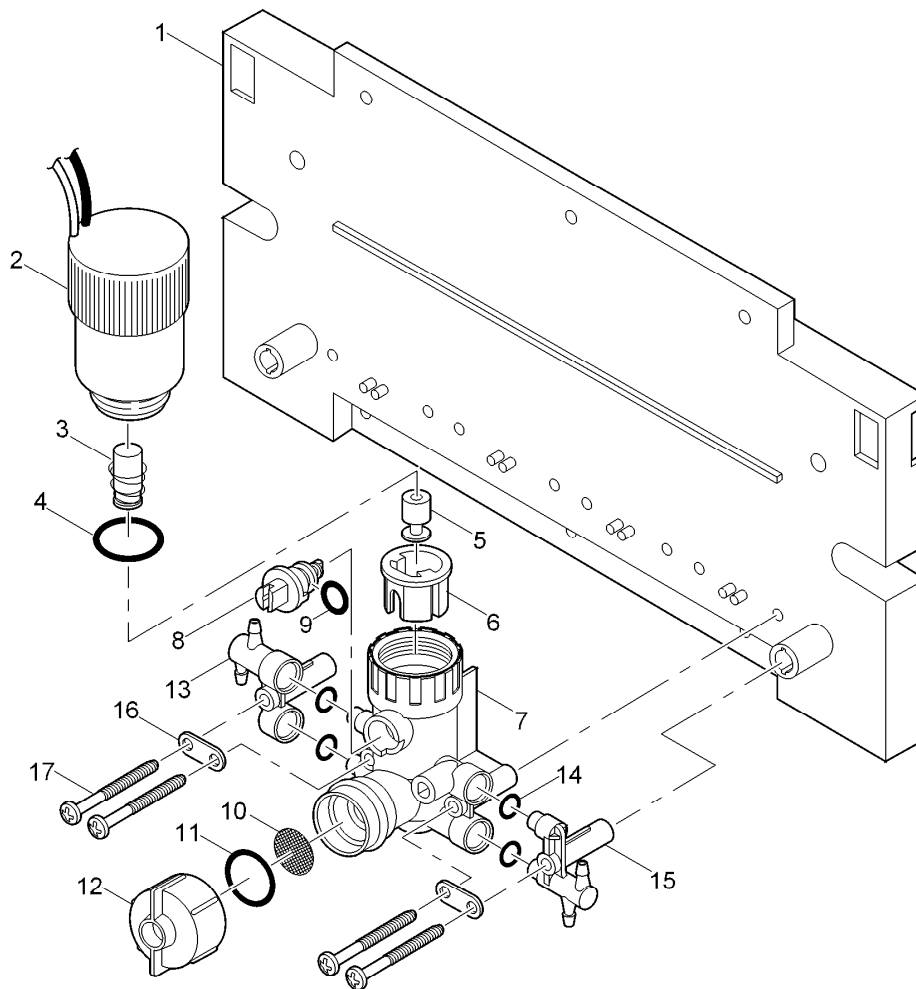
Ref.	Part Number	Qty.	Description
1	89-1673	1	Solenoid ASM
2	118-0262	1	Plunger Assy. With Spring, EI
3		2	Screw, Machine, 10-24 X 1/2" ▲
4		1	Bracket, Mounting ▲
5	360-0220	1	O-Ring (0.070 X 0.551 X 0.691) (As568-015)
6	102-5599	1	Actuator Assy. (Includes O-Rings)
7	35-0992	1	Body Assy., Pilot Valve (Used With 286-66-01)
8	89-8157	1	Cap, 1/4", Poly, No (Used With 286-66-01)
9		1	Tube, 1/4" X 36" (Used With 286-66-01) ▲
10	900-40	3	Retainer, Tube, Pr And Cr (Used With 286-66-01) ◆
11	89-8157	1	Cap, 1/4", Poly, No (Used With 286-66-01)
12	995-14	1	Fitting, Screen (Used With 286-66-01)
	35-4603		Kit, Service Assy. (Includes Items 3-7) (Used With 286-66-01) ●■
	35-4602		Kit, Service Assy. (Includes Items 3-7) (Use With 9-8482) ●■

● SERVICE ITEMS

▲ Not serviced separately

◆ Order Through Finished Goods Distribution System - Minneapolis

■ Not illustrated



Electric-Hydraulic Converter Module Assembly

<i>Ref.</i>	<i>Part Number</i>	<i>Qty.</i>	<i>Description</i>
1	89-1662	1	Baseplate
2	89-5985	4	Solenoid Assy.
3	118-0262	4	Plunger Assy. With Spring, EI
4	360-0220	4	O-Ring (0.070 X 0.551 X 0.691) (As568-015)
5	102-5359	4	Plunger, Shuttle
6	102-5360	4	Sleeve
7	89-8203	4	Body Assy., No With White Pins On Actuator
7	89-8204	4	Body Assy., Nc With Black Pins On Actuator
8	102-4636	4	Stem, Manual, No (White)
8	102-4637	4	Stem, Manual, Nc (Black)
9	360-0497	4	O-Ring
10	89-0371	4	Screen, Filter
11	360-0402	4	O-Ring
12	102-4638	4	Cap, Filter
12	89-8205	4	Cap Assy., Blind
13	102-4641	1	Tee, Female
14	2-9654	10	O-Ring
15	102-4642	1	Tee, Male
16	89-1675	2	Strap, Tie
17	363-3158	7	Screw, #6 X 1.25"